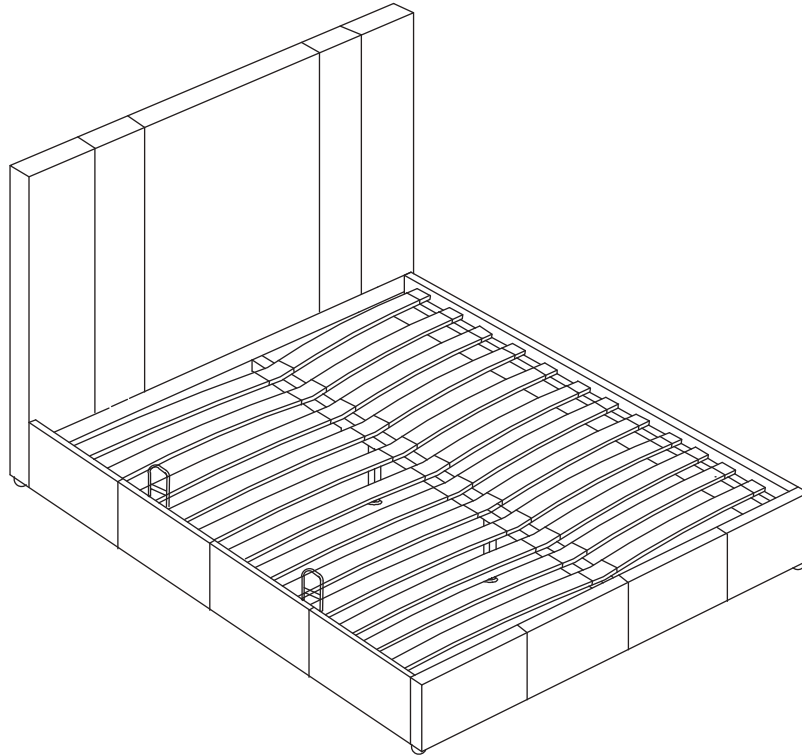


REVEAL QUEEN BED

Simple Assembly Instruction - Please keep for future reference



IMPORTANT

- 1) Read these instruction carefully and familiarise yourself with the procedure before assembling the unit.
- 2) Check that you have all the component parts following the list on the back cover and familiarise yourself with each part before proceeding.
- 3) Take all the fitting out of the plastic bag and separate them into their groups.
- 4) Ensure you have enough space to layout all the parts before assembly.
- 5) To avoid scratching it is recommended that you assemble the unit on a soft level surface.



TWO PEOPLE ARE NEEDED TO ASSEMBLY THIS BED.

WE STRONGLY RECOMMEND THAT YOU **DO NOT** USE POWER TOOLS DURING ASSEMBLY. POWER TOOLS CAN OVERTIGHTEN AND **DAMAGE COMPONENTS** OR MAKE THE **PRODUCT UNSAFE**. AND DAMAGE DUE TO THE USE OF POWER TOOLS ARE AT THE CUSTOMERS OWN RISK AND WILL NOT BE ACCEPTED BACK BY THE SUPPLIER. WE RECOMMEND YOU USE THE TOOLS PROVIDED IN YOUR ASSEMBLY KIT.

COMPONENTS

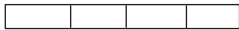
01 1 X HEADBOARD - UPPER



02 1 X HEADBOARD - LOWER



03 1 X FOOTBOARD



04 2 X SIDE RAILS



05 2 X WOODEN BAR



06 1 X LONG METAL FRAME - A



07 1 X LONG METAL FRAME - B



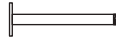
08 2 X SHORT METAL FRAME



09 1 X CENTER RAIL



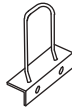
10 2 X SUPPORT LEG



11 1 X SUPPORT RAIL



12 2 X MATTRESS BLOCKER



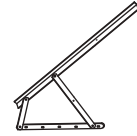
13 2 X CORNER PLATE



14 2 X GAS PUMP



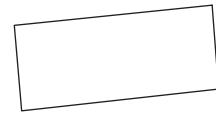
16 2 X MECHANISM



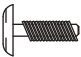
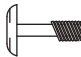
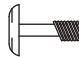








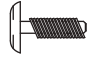
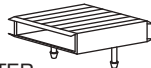
17 26 X SPRING SLAT



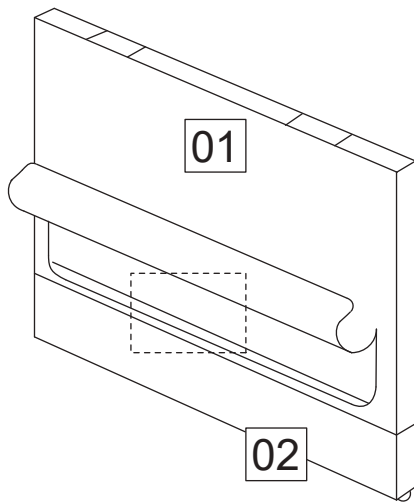
18 1 X BLACK WOVEN FABRIC

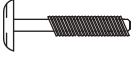



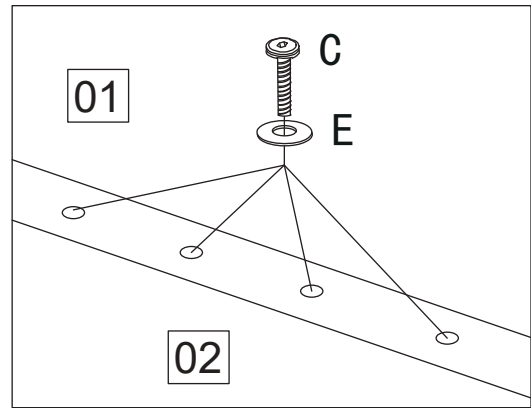
FITTINGS

<p>A</p>  <p>SCREW M8 x 25MM</p> <p>20 PCS</p>	<p>B</p>  <p>SCREW M8 x 40MM</p> <p>24 PCS</p>	<p>C</p>  <p>SCREW M8 x 50MM</p> <p>4 PCS</p>	<p>D</p>  <p>SMALL WASHER</p> <p>50 PCS</p>	<p>E</p>  <p>LARGE WASHER</p> <p>4 PCS</p>
<p>F</p>  <p>LOCK NUT</p> <p>4 PCS</p>	<p>G</p>  <p>NUT</p> <p>20 PCS</p>	<p>H</p>  <p>SIDE SLAT STOPPER</p> <p>26 PCS</p>	<p>I</p>  <p>ALLEN KEY M5</p> <p>1 PCS</p>	<p>J</p>  <p>SPANNER</p> <p>1 PCS</p>
<p>K</p>  <p>STRAP</p> <p>1 PCS</p>	<p>L</p>  <p>SCREW M8 x 18MM</p> <p>10 PCS</p>	<p>M</p>  <p>CENTER SLAT STOPPER</p> <p>13 PCS</p>		

STEP 1

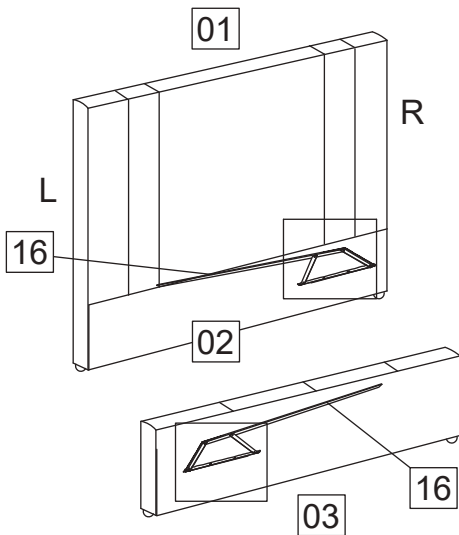


C		SCREW M8 x 50MM	4 PCS
E		LARGE WASHER	4 PCS

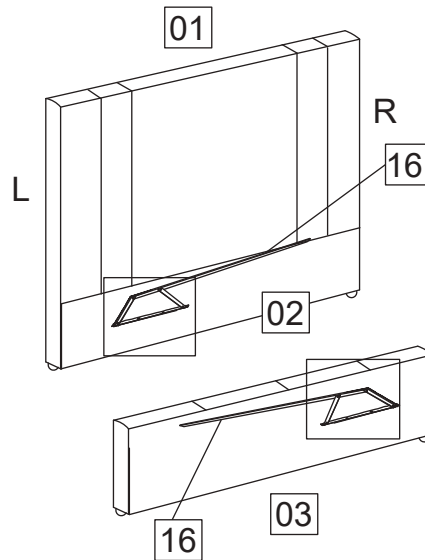


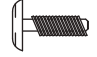


STEP 2 If you want to lift the base from:

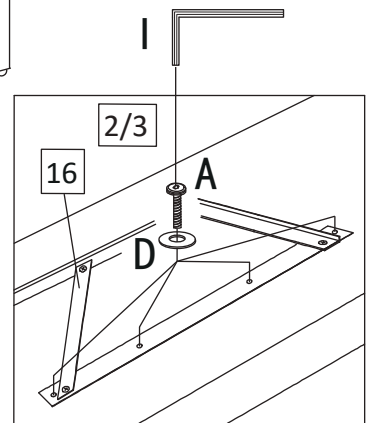
Left side



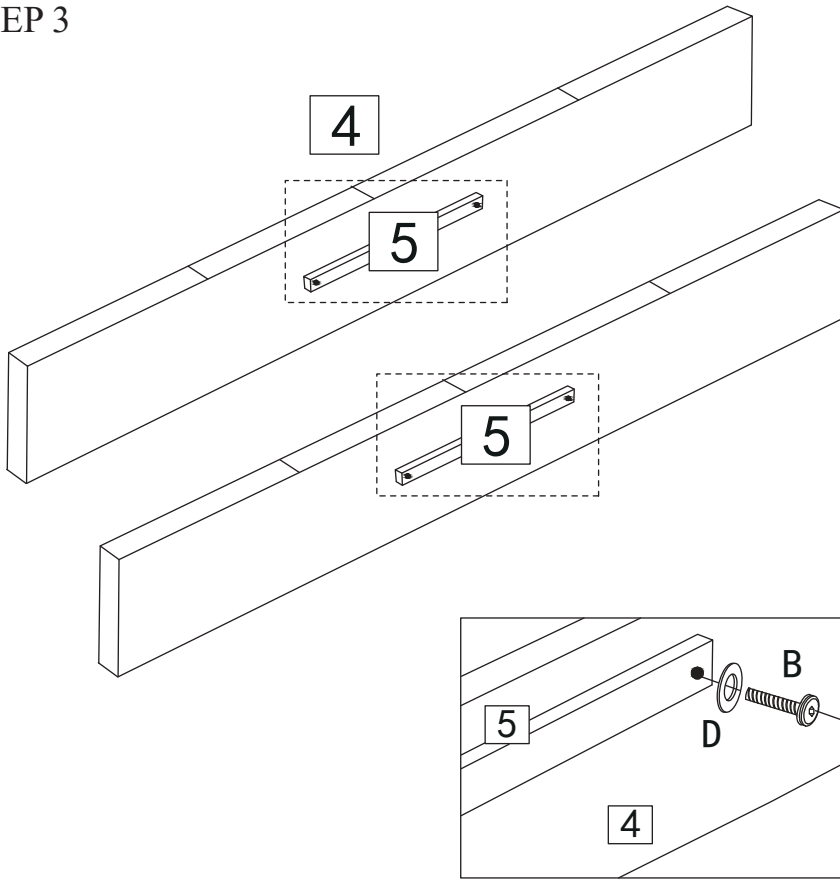
Right Side

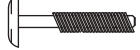




A		SCREW M8 x 25MM	8 PCS
D		SMALL WASHER	8 PCS
I		ALLEN KEY M5	1 PCS

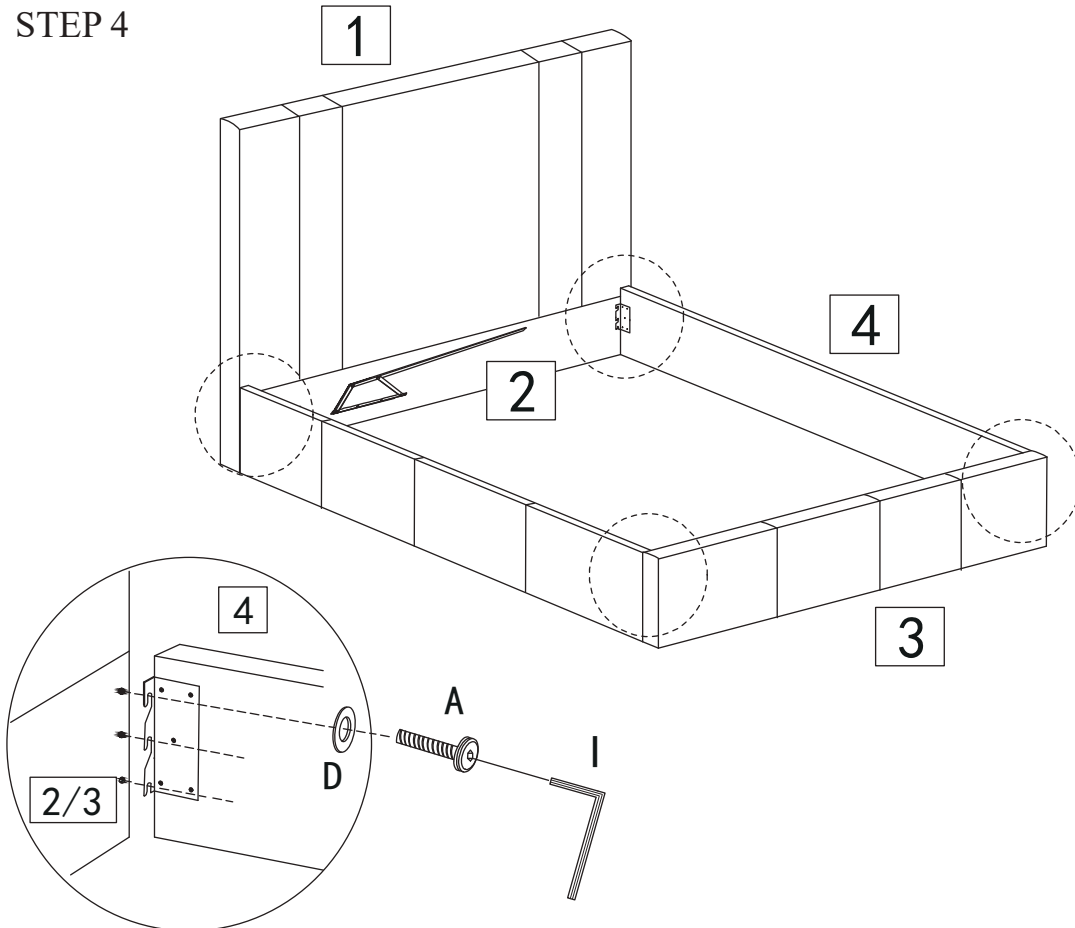


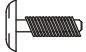


STEP 3



B		SCREW M8 x 40MM	4 PCS
D		SMALL WASHER	4 PCS
I		ALLEN KEY M5	1 PCS

STEP 4

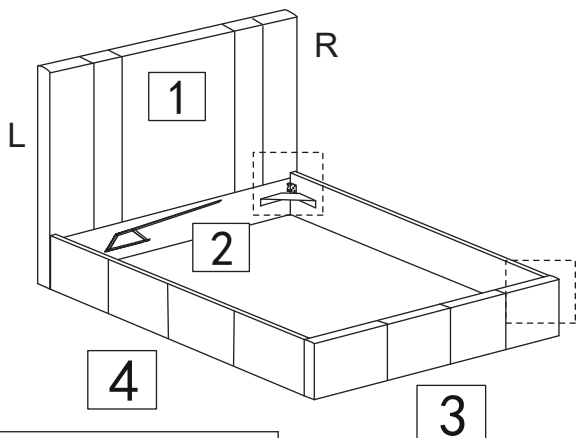


A		SCREW M8 x 25MM	12 PCS
D		SMALL WASHER	12 PCS
I		ALLEN KEY M5	1 PCS

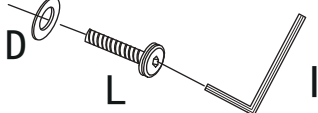
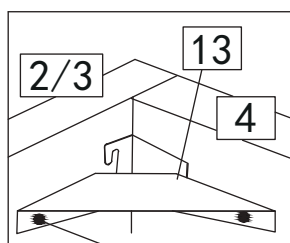
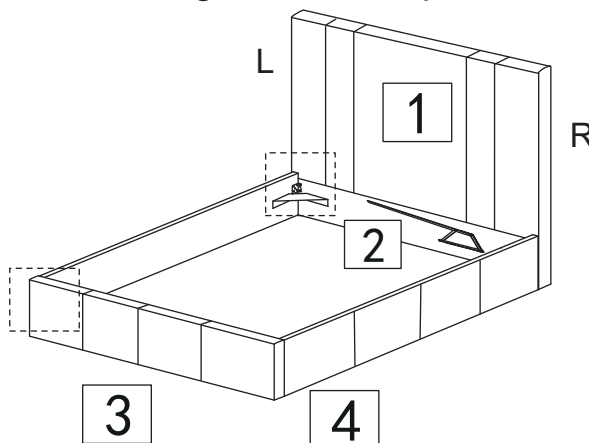
STEP 5

Left side Lift Up

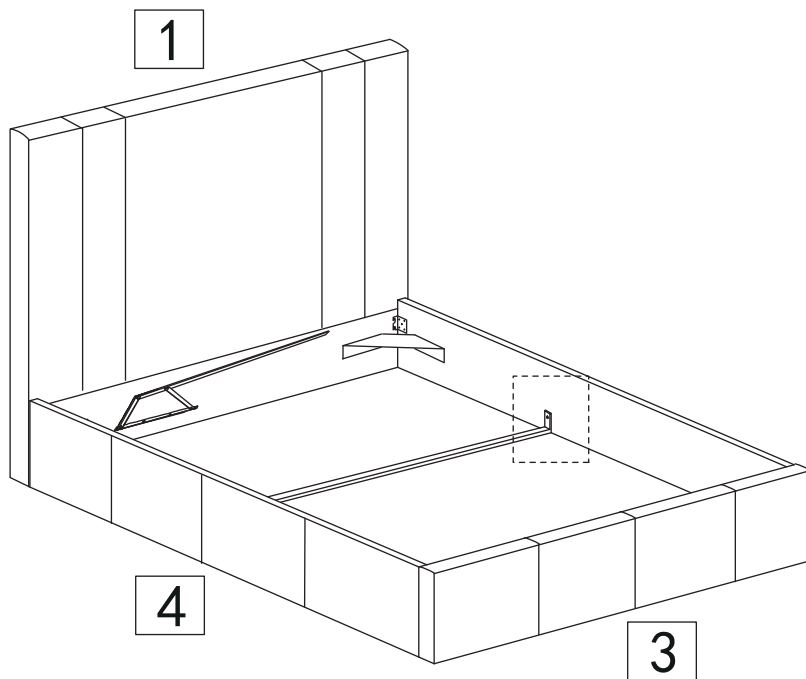
I		D		L	
	ALLEN KEY M5		SMALL WASHER		SCREW M8 x 18MM
	1 PCS		8 PCS		8 PCS

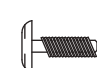




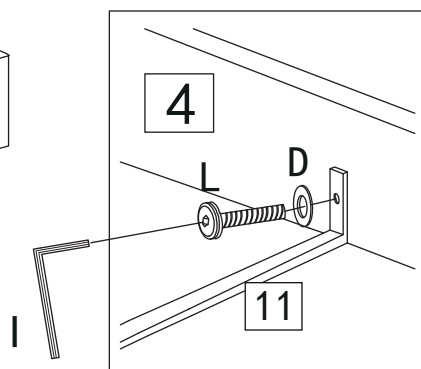
Right side Lift Up



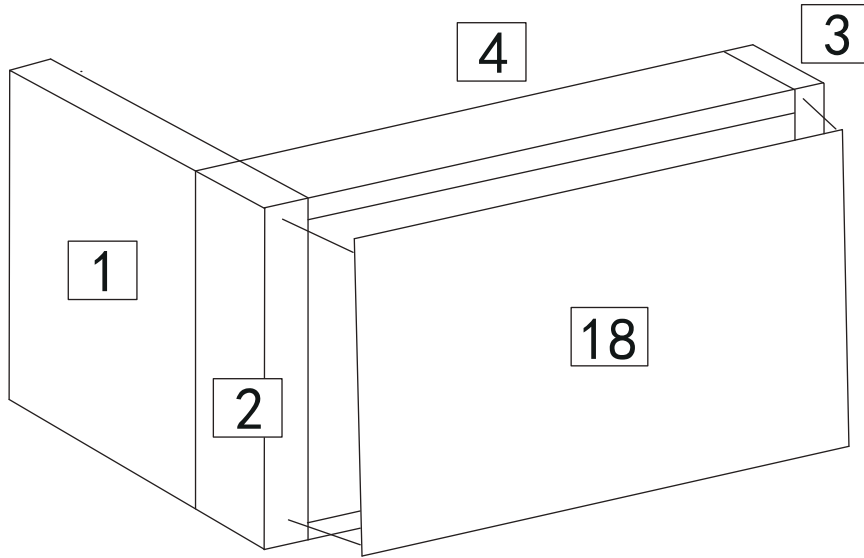
STEP 6



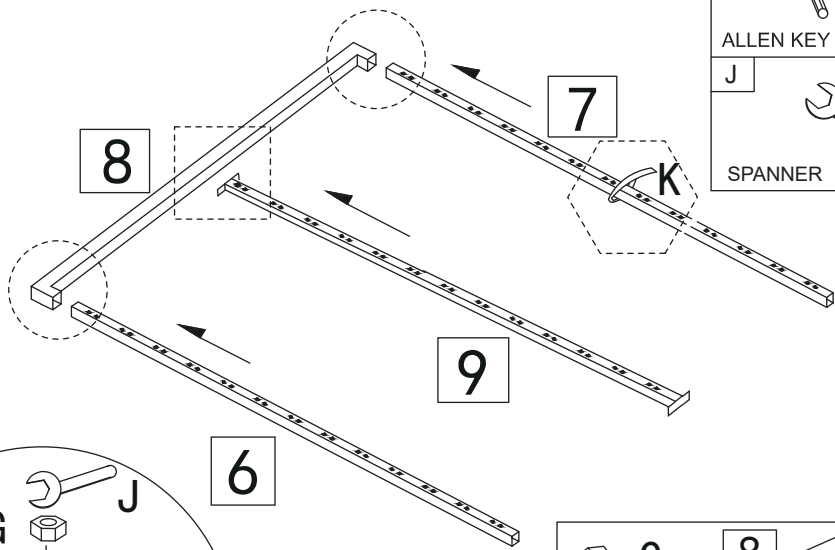
L	
	SCREW M8 x 18MM
	2 PCS
D	
	SMALL WASHER
	2 PCS
I	
	ALLEN KEY M5
	1 PCS



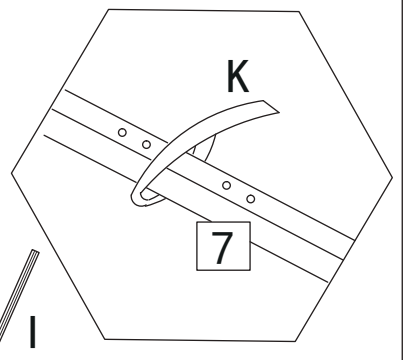
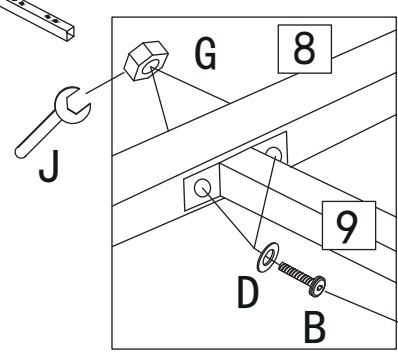
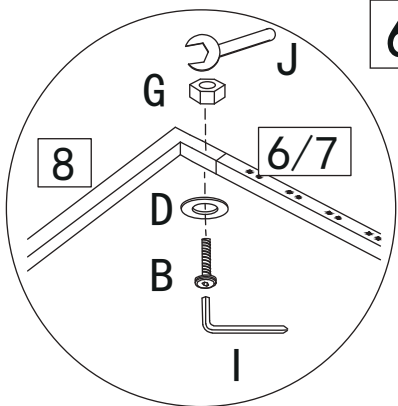
STEP 7



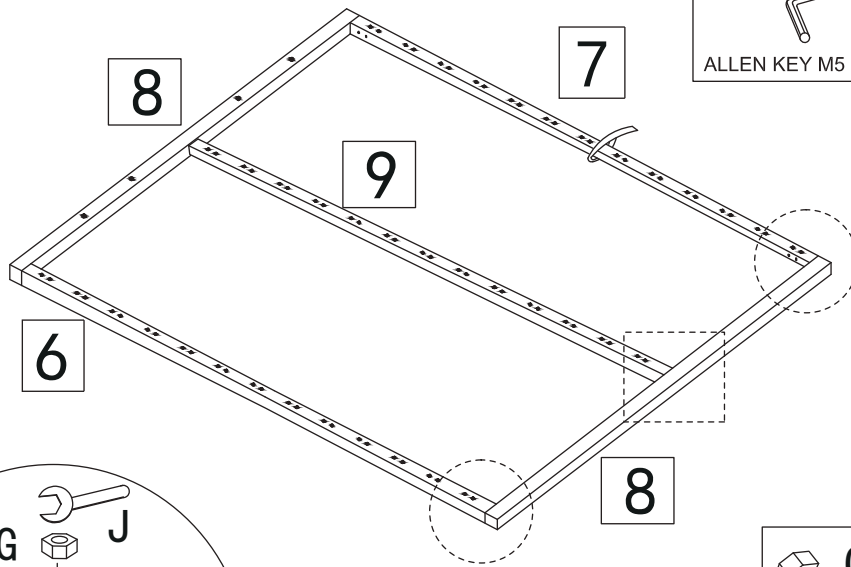
STEP 8



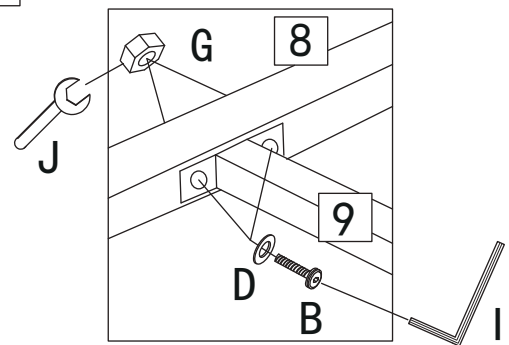
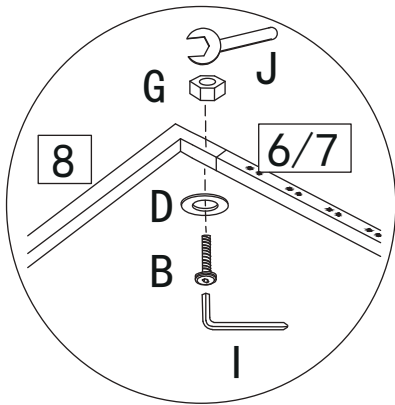
I		B	
	ALLEN KEY M5		SCREW M8 x 40MM
	1 PCS		4 PCS
J		G	
	SPANNER		NUT
	1 PCS		4 PCS
		K	
			STRAP
			1 PCS
		D	
			SMALL WASHER
			4 PCS



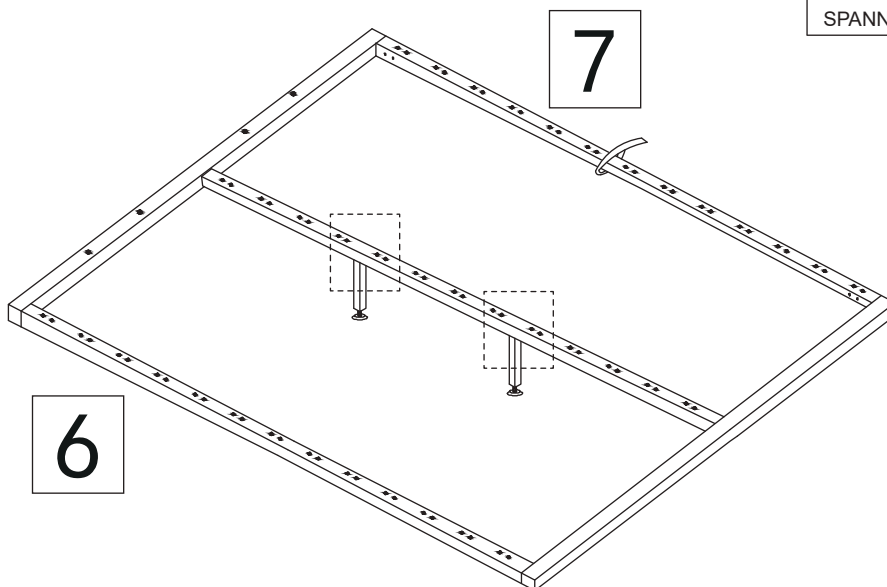
STEP 9



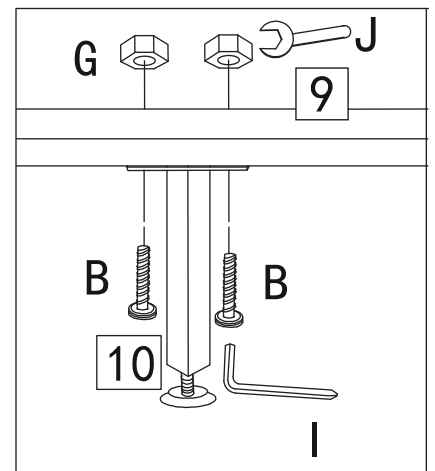
I		ALLEN KEY M5	1 PCS
B		SCREW M8 x 40MM	4 PCS
G		NUT	4 PCS
D		SMALL WASHER	4 PCS
J		SPANNER	1 PCS



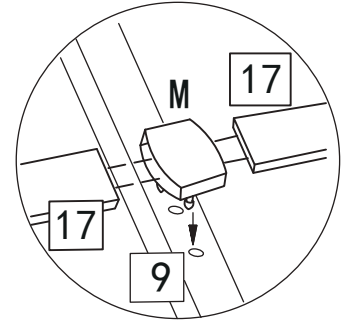
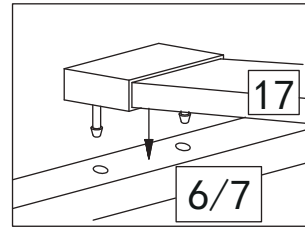
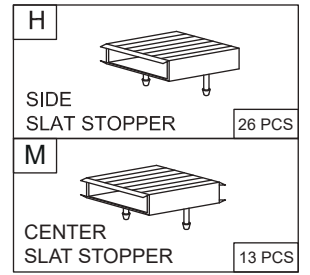
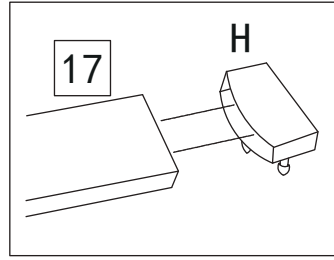
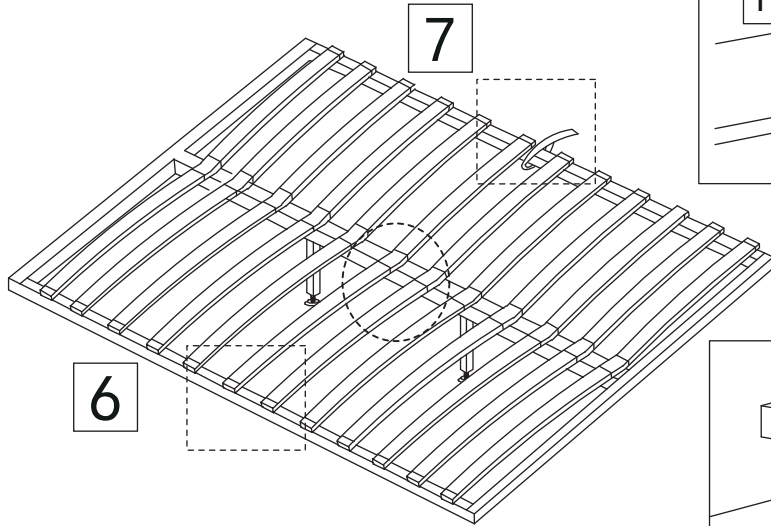
STEP 10



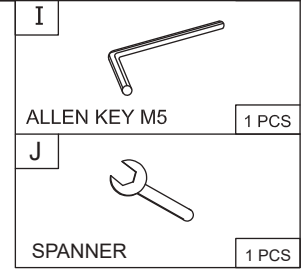
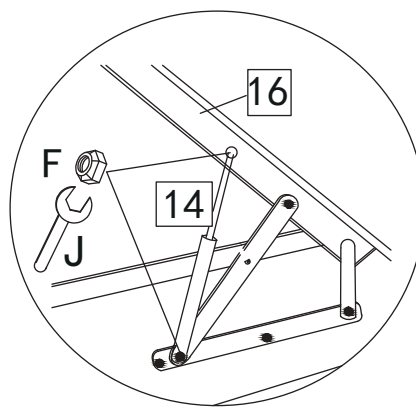
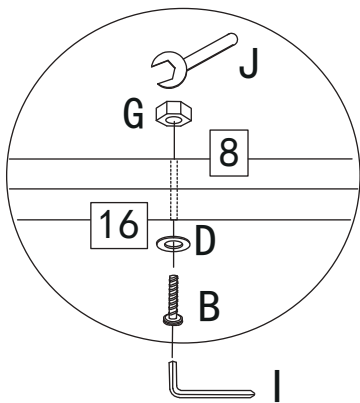
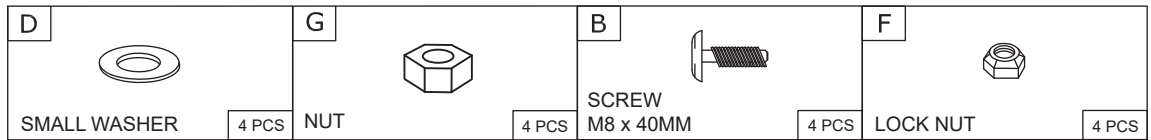
J		SPANNER	1 PCS
B		SCREW M8 x 40MM	4 PCS
G		NUT	4 PCS
I		ALLEN KEY M5	1 PCS



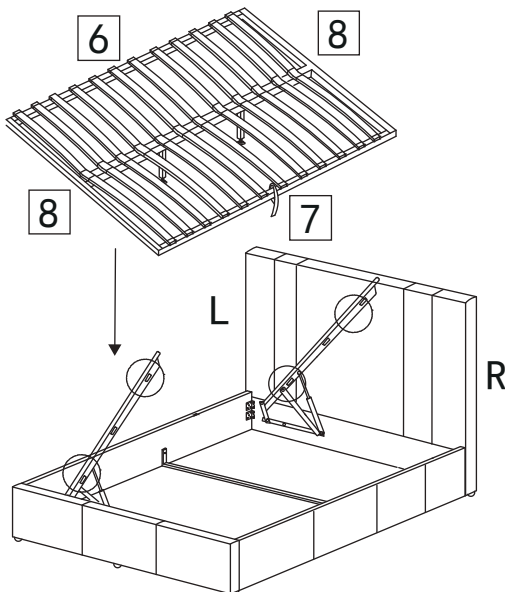
STEP 11



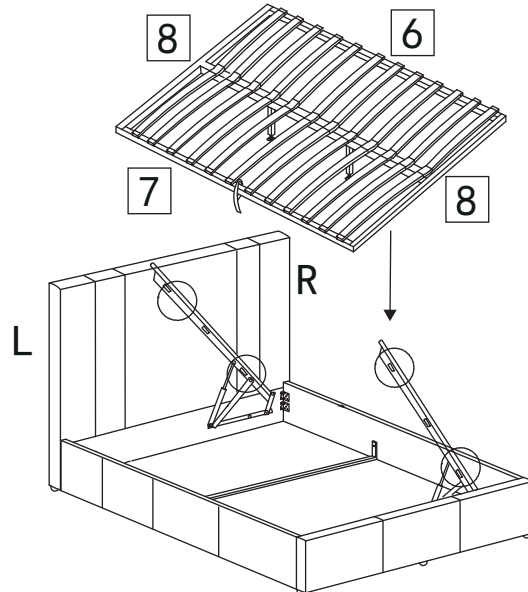
STEP 12



Left side Lift Up

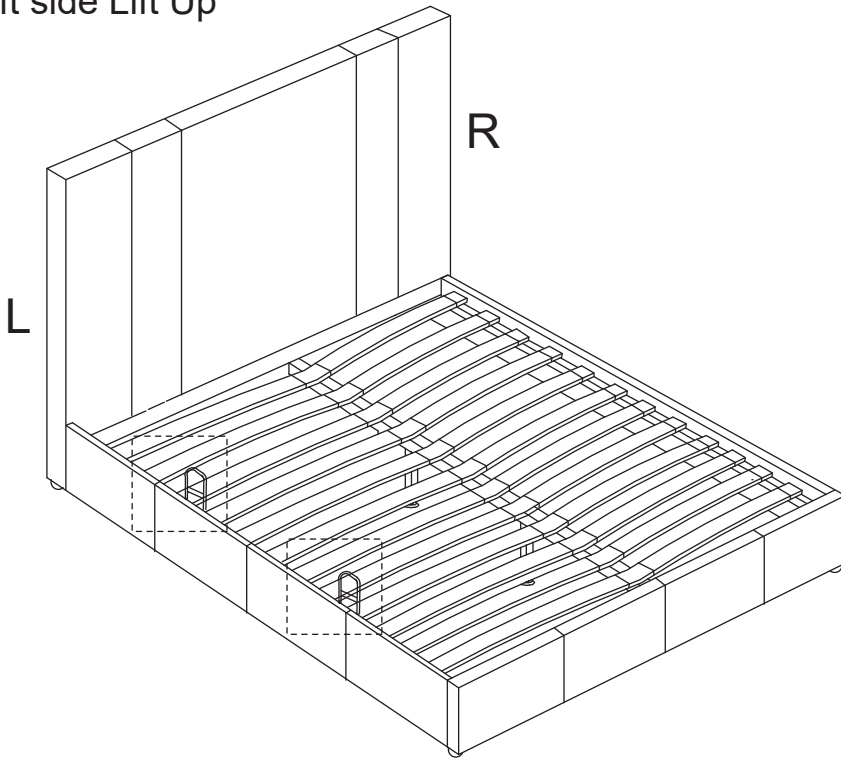


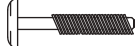

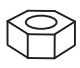


Right side Lift Up



STEP 13

Left side Lift Up



B		SCREW M8 x 40MM	4 PCS
D		SMALL WASHER	4 PCS
G		NUT	4 PCS
I		ALLEN KEY M5	1 PCS
J		SPANNER	1 PCS

Right side Lift Up

