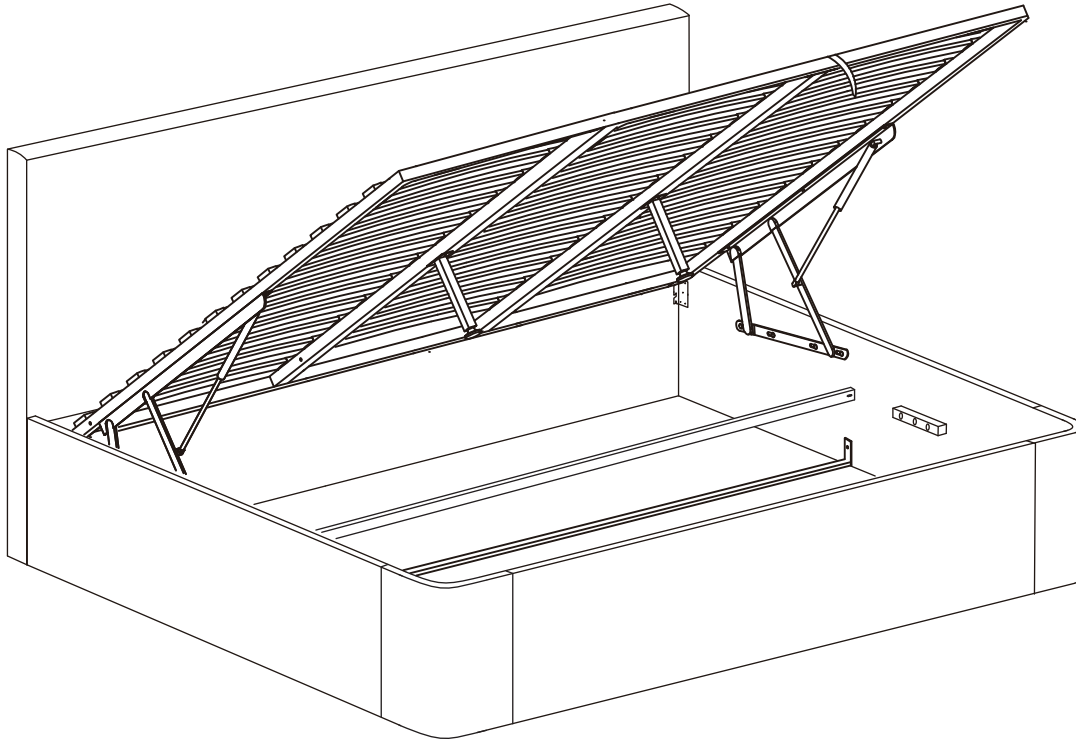


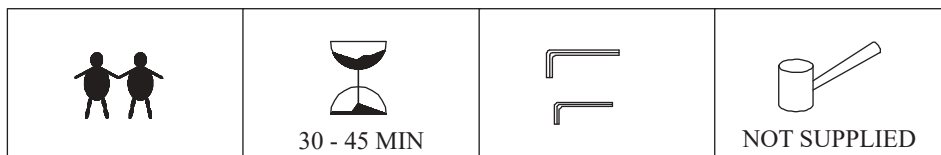
# PRATICO END LIFT UP KING BED

Simple Assembly Instruction - Please keep for future reference



## IMPORTANT

- 1) Read these instruction carefully and familiarise yourself with the procedure before assembling the unit.
- 2) Check that you have all the component parts following the list on the back cover and familiarise yourself with each part before proceeding.
- 3) Take all the fitting out of the plastic bag and separate them into their groups.
- 4) Ensure you have enough space to layout all the parts before assembly.
- 5) To avoid scratching it is recommended that you assemble the unit on a soft level surface.



**TWO PEOPLE ARE NEEDED TO ASSEMBLY THIS BED.**

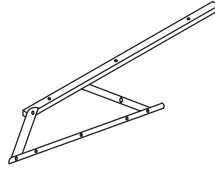
WE STRONGLY RECOMMEND THAT YOU **DO NOT** USE POWER TOOLS DURING ASSEMBLY. POWER TOOLS CAN OVERTIGHTEN AND **DAMAGE COMPONENTS** OR MAKE THE **PRODUCT UNSAFE**. AND DAMAGE DUE TO THE USE OF POWER TOOLS ARE AT THE CUSTOMERS OWN RISK AND WILL NOT BE ACCEPTED BACK BY THE SUPPLIER. WE RECOMMEND YOU USE THE TOOLS PROVIDED IN YOUR ASSEMBLY KIT.

# COMPONENTS

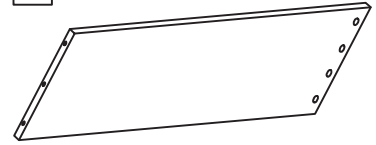
01 1 X LONG METAL FRAME - R



10 2 X MECHANISM



16 1 X SIDE RAIL 'L'



02 1 X LONG METAL FRAME - L



17 1 X CORNER 'R'



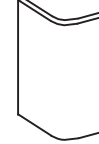
03 2 X SHORT METAL FRAME



11 36 X SPRING SLAT



18 1 X CORNER 'L'



04 2 X CENTER RAIL



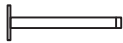
12 1 X BLACK WOVEN FABRIC



19 1 X CENTER WOOD



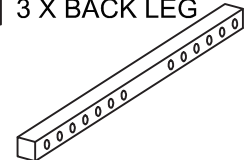
05 2 X SUPPORT LEG



13 1 X HEADBOARD



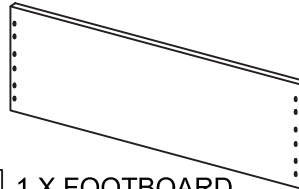
20 3 X BACK LEG



06 1 X SUPPORT RAIL



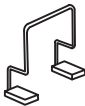
14 1 X FOOTBOARD



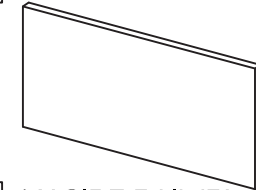
21 2 X SUPPORT WOOD



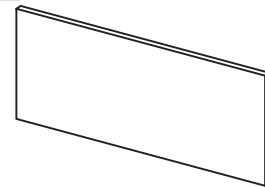
07 2 X MATTRESS BLOCKER



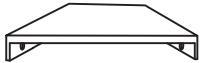
15 1 X SIDE RAIL 'R'



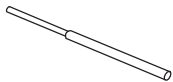
22 1 X HEAD PANEL



08 2 X CORNER PLATE



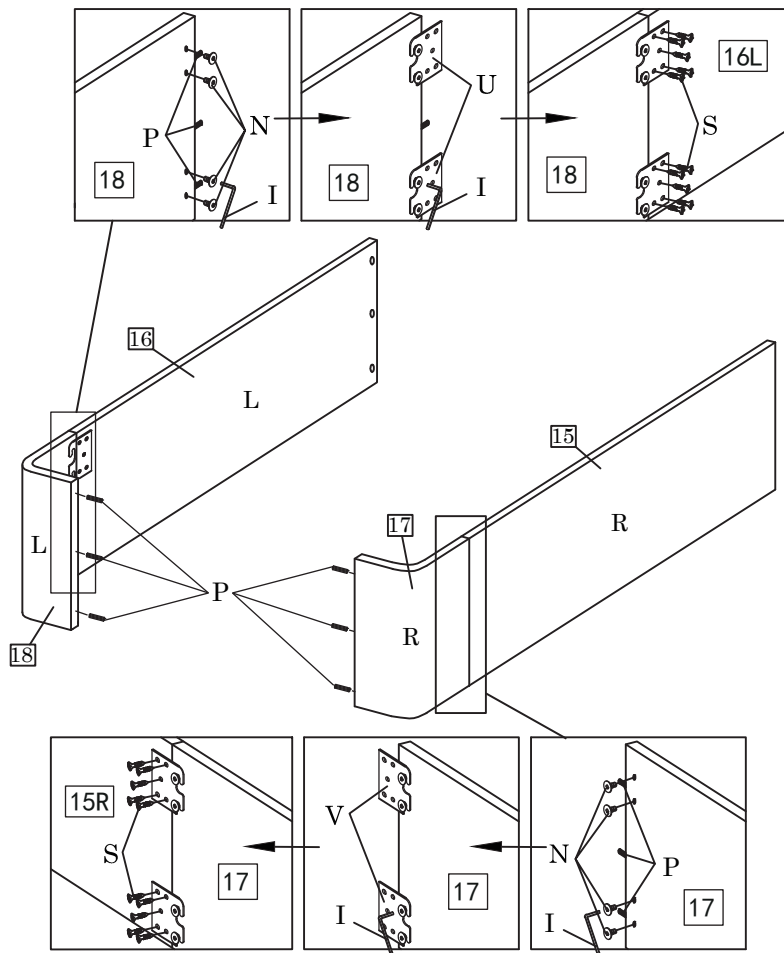
09 2 X GAS PUMP



# FITTINGS

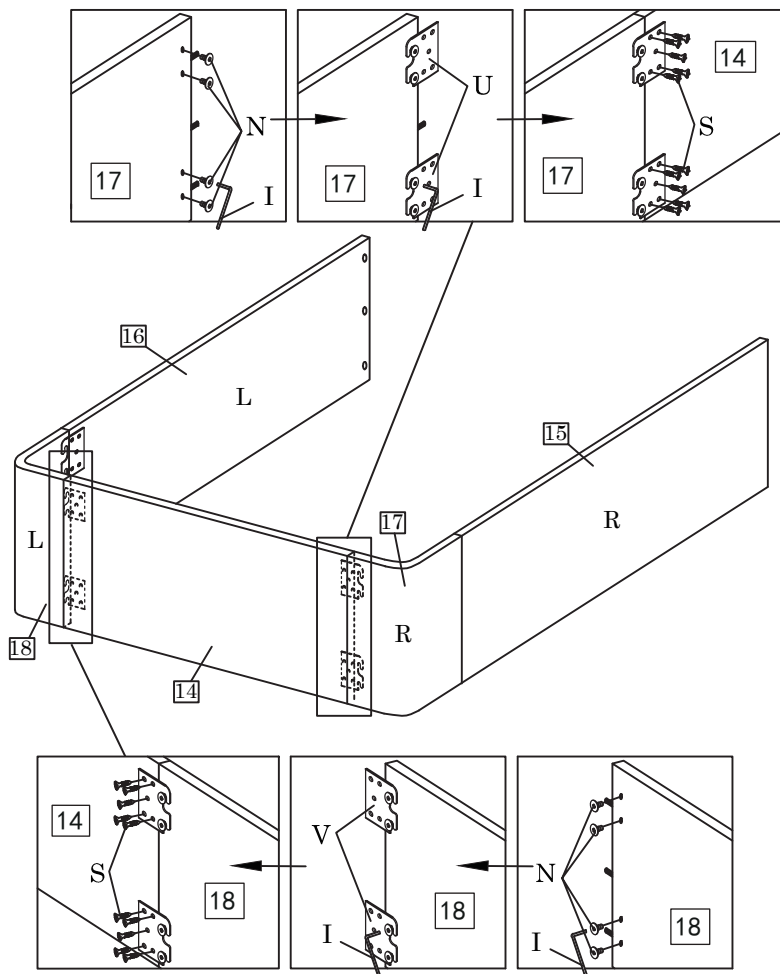
<p><b>A</b></p> <p>SCREW M8 x 20MM</p> <p>4 PCS</p>	<p><b>B</b></p> <p>SCREW M8 x 40MM</p> <p>16 PCS</p>	<p><b>C</b></p> <p>SCREW M8 x 50MM</p> <p>2 PCS</p>	<p><b>D</b></p> <p>WASHER 8 x 16MM</p> <p>22 PCS</p>	<p><b>E</b></p> <p>NUT</p> <p>16 PCS</p>
<p><b>F</b></p> <p>LOCK NUT</p> <p>4 PCS</p>	<p><b>G</b></p> <p>SIDE SLAT STOPPER</p> <p>24 PCS</p>	<p><b>H</b></p> <p>CENTER SLAT STOPPER</p> <p>24 PCS</p>	<p><b>I</b></p> <p>ALLEN KEY M5</p> <p>1 PCS</p>	<p><b>J</b></p> <p>SPANNER</p> <p>1 PCS</p>
<p><b>K</b></p> <p>STRAP</p> <p>1 PCS</p>	<p><b>L</b></p> <p>SCREW M6 x 60MM</p> <p>32 PCS</p>	<p><b>M</b></p> <p>SCREW M6 x 16MM</p> <p>8 PCS</p>	<p><b>N</b></p> <p>SCREW M8 x 16MM</p> <p>24 PCS</p>	<p><b>O</b></p> <p>BARREL NUT</p> <p>8 PCS</p>
<p><b>P</b></p> <p>M10 x 30MM</p> <p>40 PCS</p>	<p><b>Q</b></p> <p>SCREW M4 x 30MM</p> <p>8 PCS</p>	<p><b>R</b></p> <p>PAN SCREW M4 x 16MM</p> <p>2 PCS</p>	<p><b>S</b></p> <p>SCREW M4 x 16MM</p> <p>40 PCS</p>	<p><b>T</b></p> <p>ALLEN KEY M4</p> <p>1 PCS</p>
<p><b>U</b></p> <p>BRACKET 'L'</p> <p>4 PCS</p>	<p><b>V</b></p> <p>BRACKET 'R'</p> <p>4 PCS</p>	<p><b>W</b></p> <p>WASHER 6 x 13MM</p> <p>56 PCS</p>		

## STEP 1



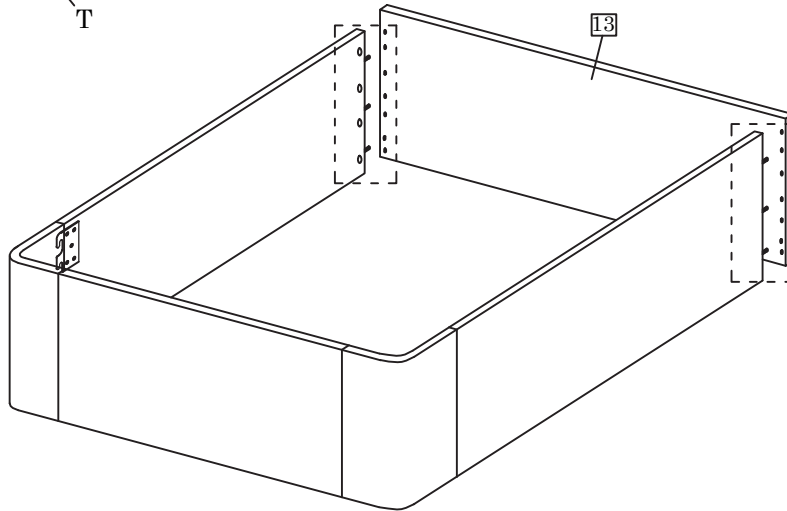
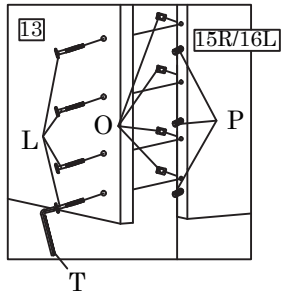
N		8 PCS
P		12 PCS
I		1 PCS
U		2 PCS
V		2 PCS
S		20 PCS

## STEP 2



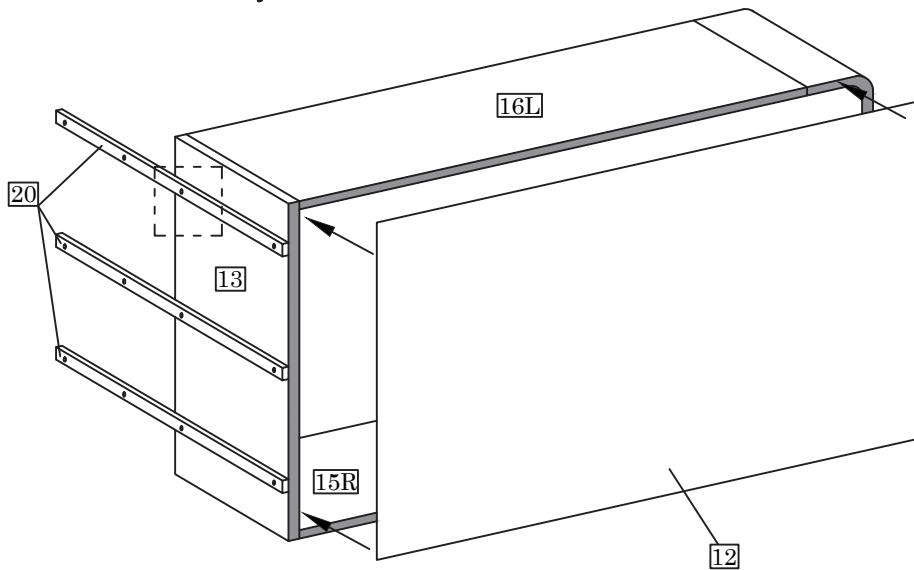
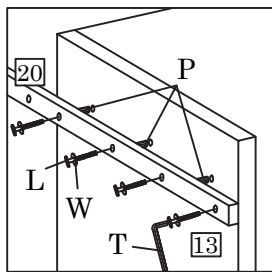
N		8 PCS
I		1 PCS
U		2 PCS
V		2 PCS
S		20 PCS

### STEP 3



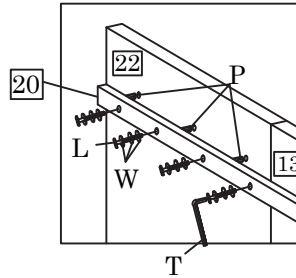
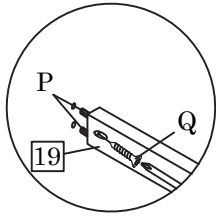
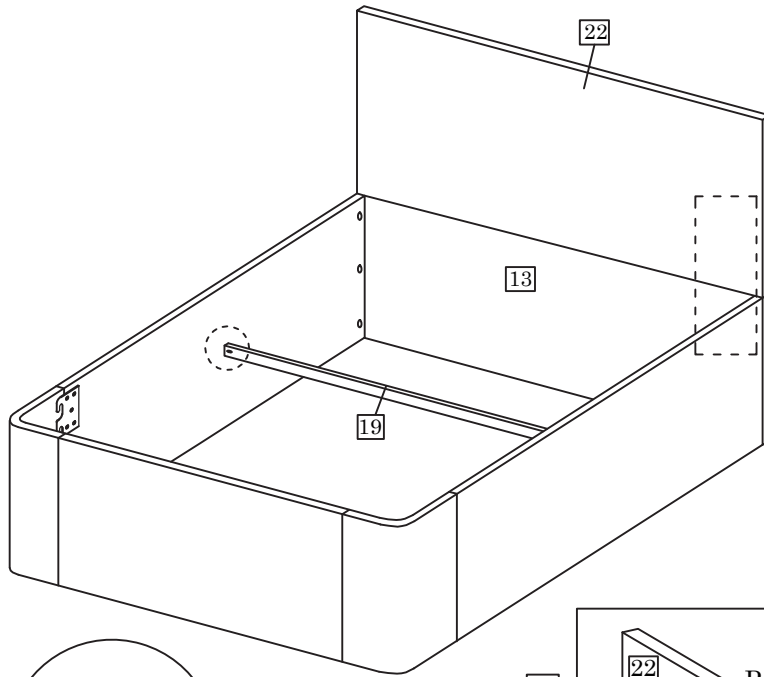
L		M6 x 60mm	8 PCS
O		Barret Nut	8 PCS
P		M10 x 30mm	6 PCS
T		M4 Allen Key	1 PCS






### STEP 4



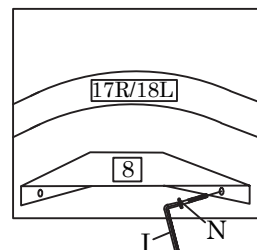
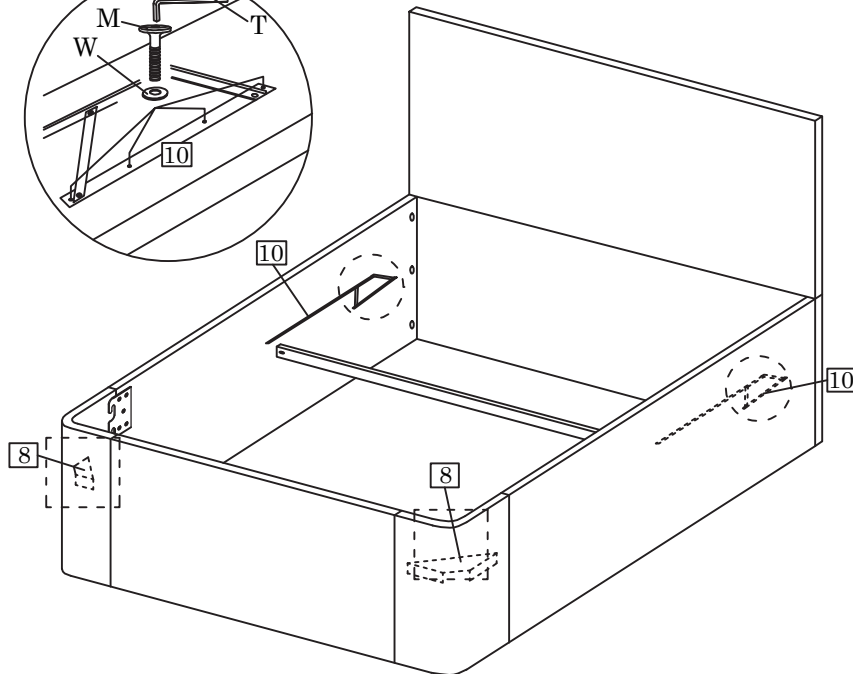
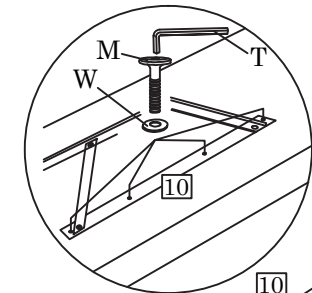
L		M6 x 60mm	12 PCS
W		Washer 6 x 13mm	12 PCS
P		M10 x 30mm	9 PCS
T		M4 Allen Key	1 PCS




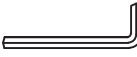
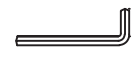
# STEP 5



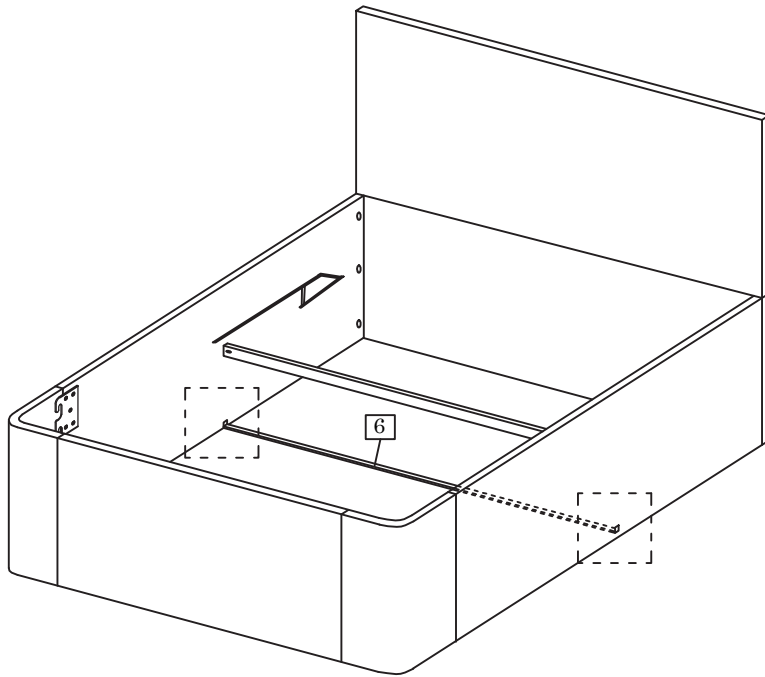
L		
	M6 x 60mm	12 PCS
W		
	Washer 6 x 13mm	36 PCS
P		
	M10 x 30mm	13 PCS
Q		
	M4 x 30mm	2 PCS
T		
	M4 Allen Key	1 PCS

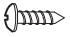
# STEP 6

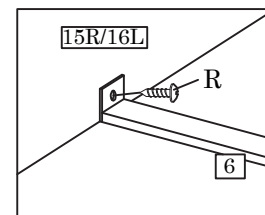


W		
	Washer 6 x 13mm	8 PCS
M		
	M6 x 16mm	8 PCS
N		
	M8 x 16mm	8 PCS
I		
	M5 Allen Key	1 PCS
T		
	M4 Allen Key	1 PCS

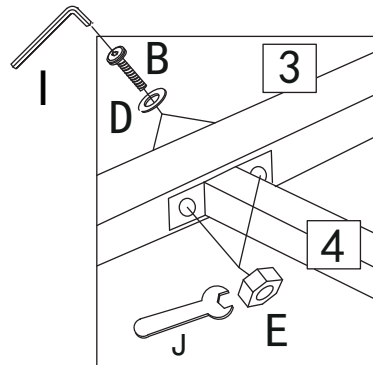
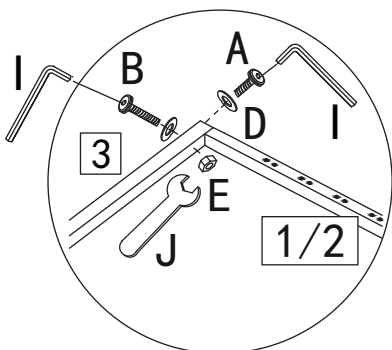
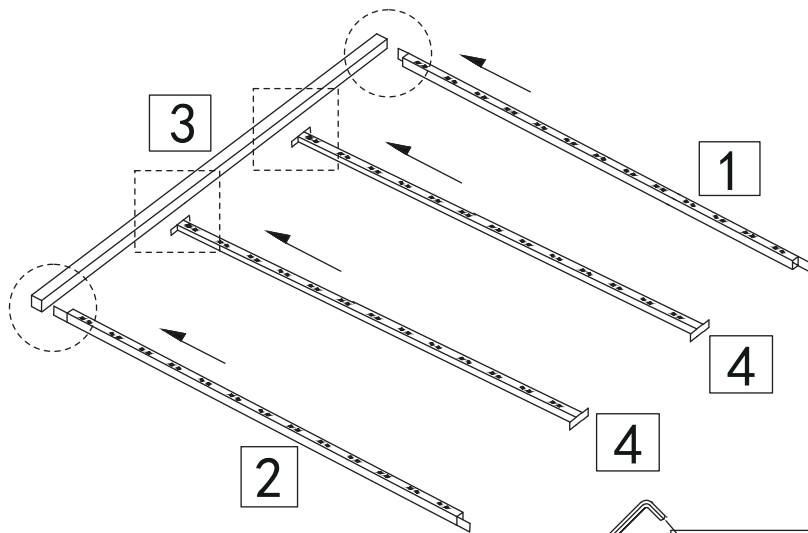
# STEP 7

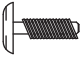
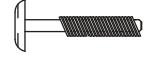



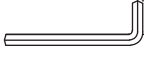


R		
Pan Screw M4 x 16mm		2 PCS

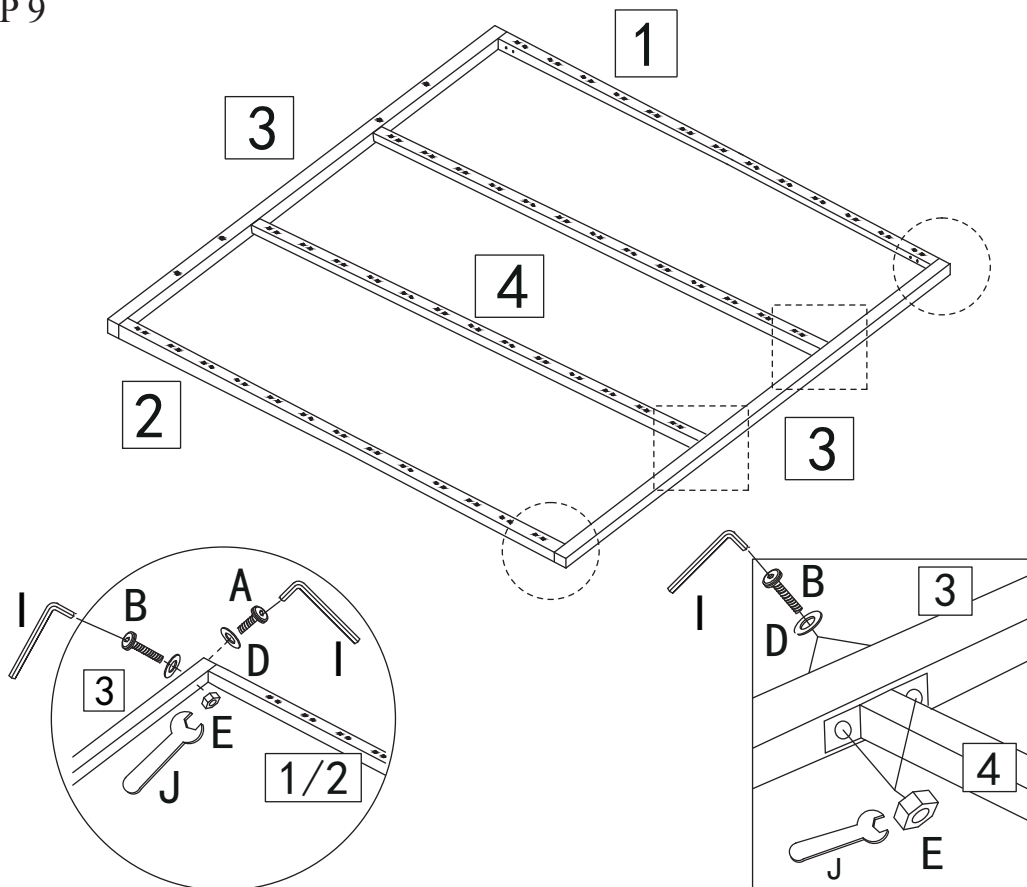


# STEP 8



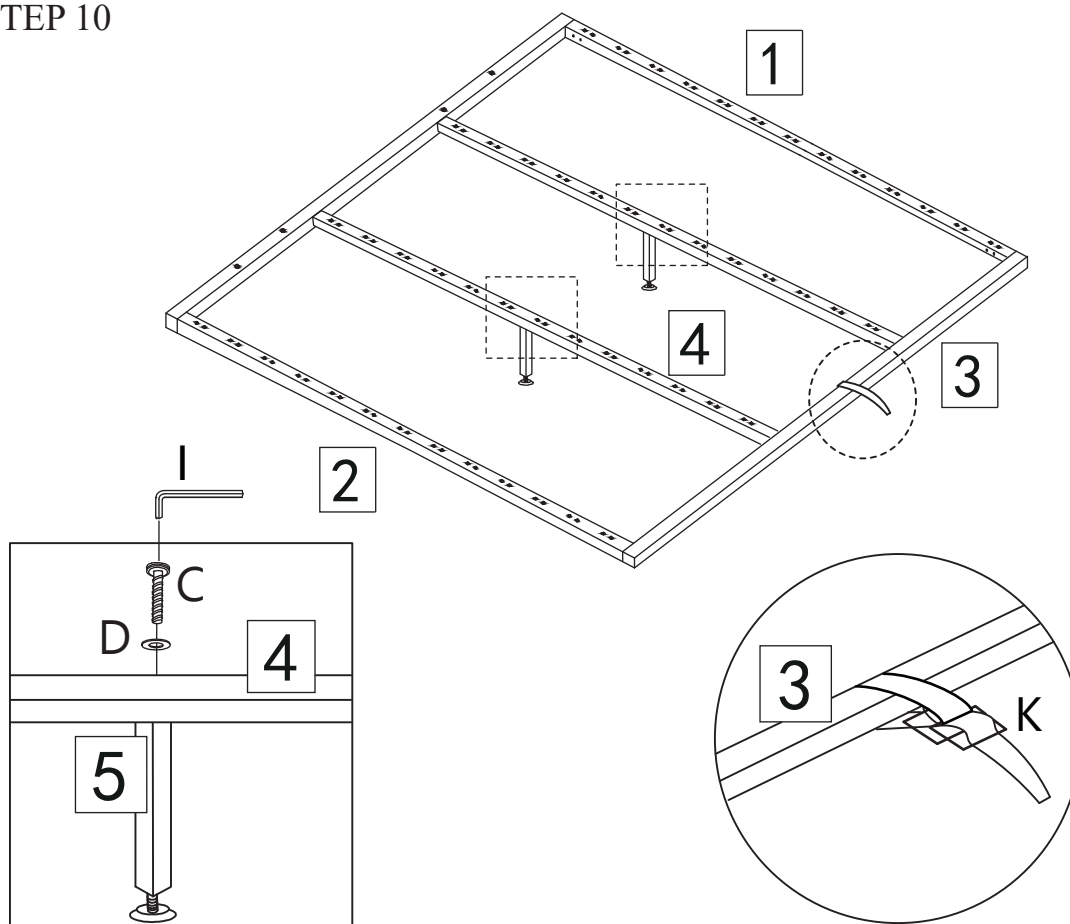
A		
SCREW M8 x 20MM		2 PCS
B		
SCREW M8 x 40MM		6 PCS
E		
NUT		6 PCS
D		
WASHER 8 x 16MM		8 PCS
J		
SPANNER		1 PCS
I		
M5 Allen Key		1 PCS

# STEP 9



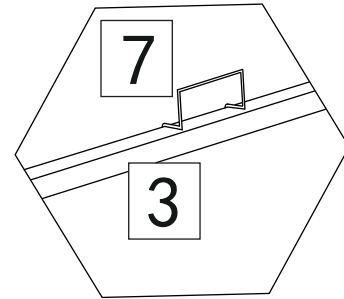
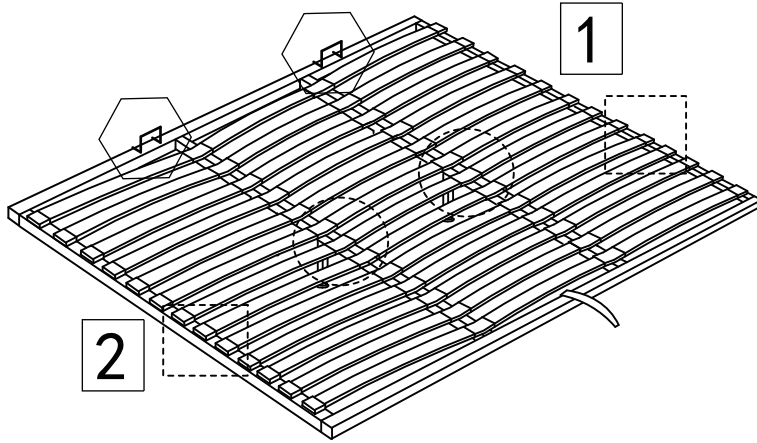
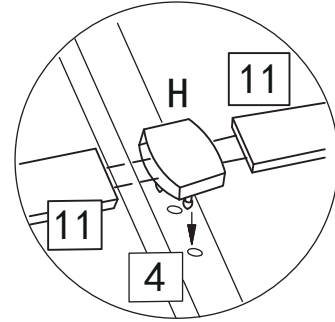
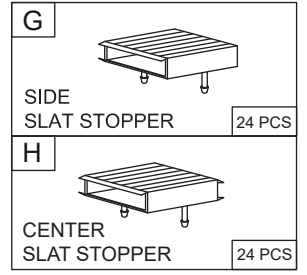
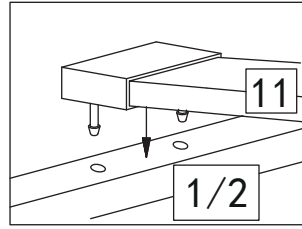
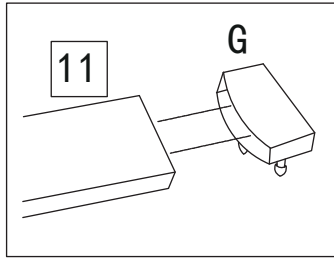
A		SCREW M8 x 20MM	2 PCS
B		SCREW M8 x 40MM	6 PCS
E		NUT	6 PCS
D		WASHER 8 x 16MM	8 PCS
J		SPANNER	1 PCS
I		M5 Allen Key	1 PCS

# STEP 10

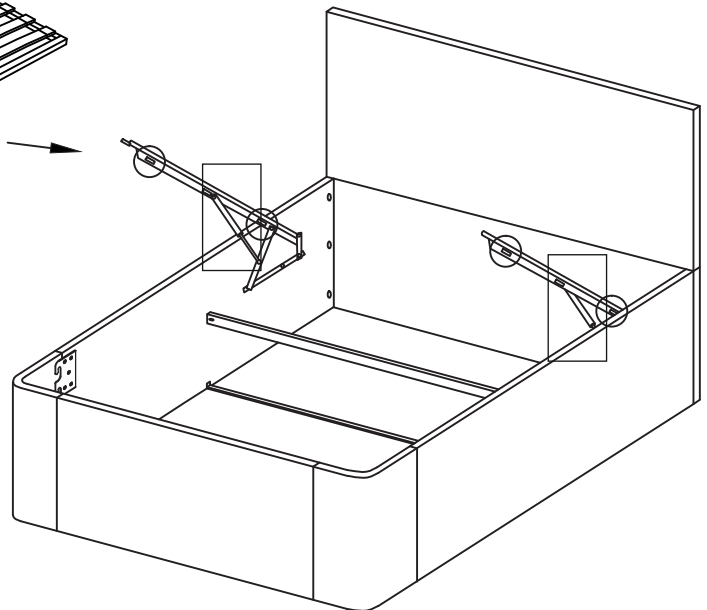
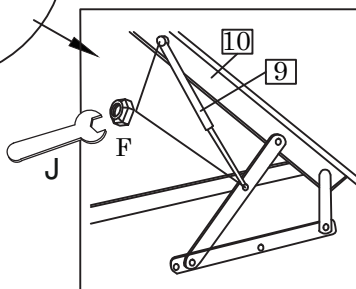
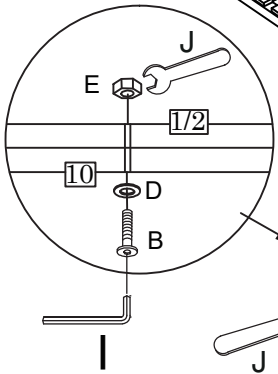
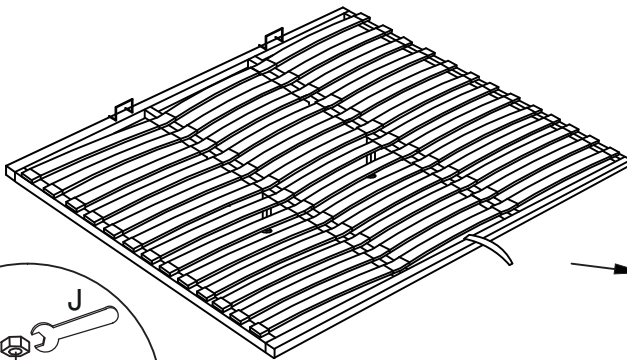
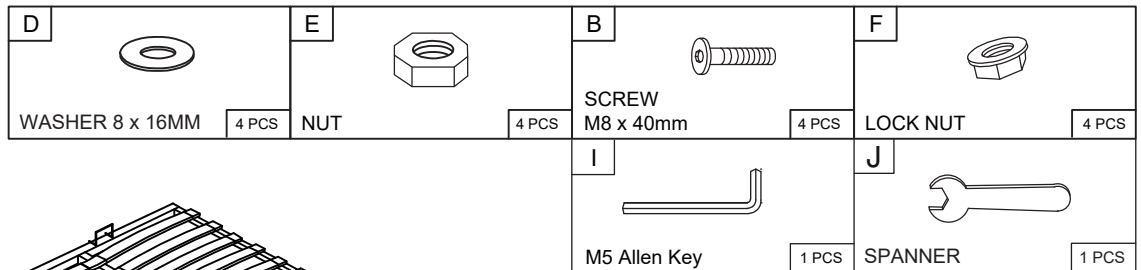


C		SCREW M8 x 50MM	2 PCS
D		WASHER 8 x 16MM	2 PCS
K		STRAP	1 PCS
I		M5 Allen Key	1 PCS

STEP 11

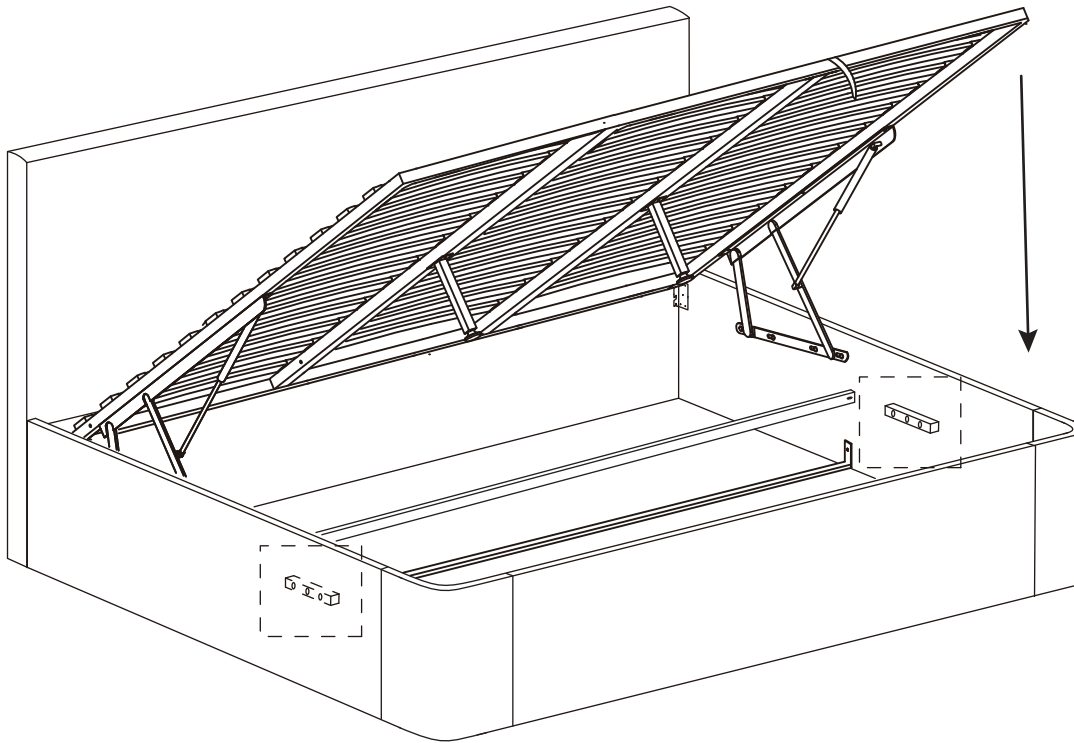
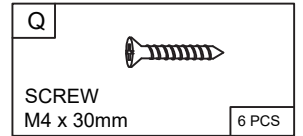


STEP 12





## STEP 13



1. Lower down the base.
2. Mark the position of bottom of base
3. Assemble the Support wood, make sure it is right under the base frame, for better support.

