



ExpandFurniture.com

Hover Bunks Install

Tools & Parts that you will need that are not included:

- Step Ladder, Power Drill/Screw Driver
- Wall Anchors for your wall type: ~14 are recommended with a strength rating of at least 100+ lbs each
- Consider some extra wall brackets x 2 (simple L shape)

Operational Note: Make sure you always attach the ladder to the top bunk before using it. The ladder is required for stability and support for the top bunk to be used.

We strongly suggest you unpack everything and check for damage in transit or missing parts before hiring professional help.

Expand Furniture Inc declines all liability caused by the incorrect assembly of the bed or failure to mount the bed. If you fail to mount the wall bed to the wall or correctly fasten it, we do not take responsibility for this.

Expand Furniture Inc declines all liability caused by the incorrect assembly of the bed or failure to mount the bed. If you fail to mount the wall bed to the wall or correctly fasten it, we do not take responsibility for this.

We strongly recommend you watch the online video for key steps like installing the pistons. We have a full video install online:

Important Notes & Tips for all installs:

1. Clear your room as much as possible before you start the install. Unpacking the panels will take some time, longer than many expect, so do this in advance of your install. You will need a power drill, screw driver, wall anchors and a ladder.
2. All Hover beds are do it yourself assembly and require wall mounts. It is up to you to determine your wall type, make sure it is safe and correctly mount the wall bed to your wall safely and properly. It is best to hit studs if you have drywall and make sure to use the correct wall anchors for your wall type. You can always install extra brackets and anchors for added security and peace of mind. Your local hardware store or your handyman/contractor should be able to advise on this.

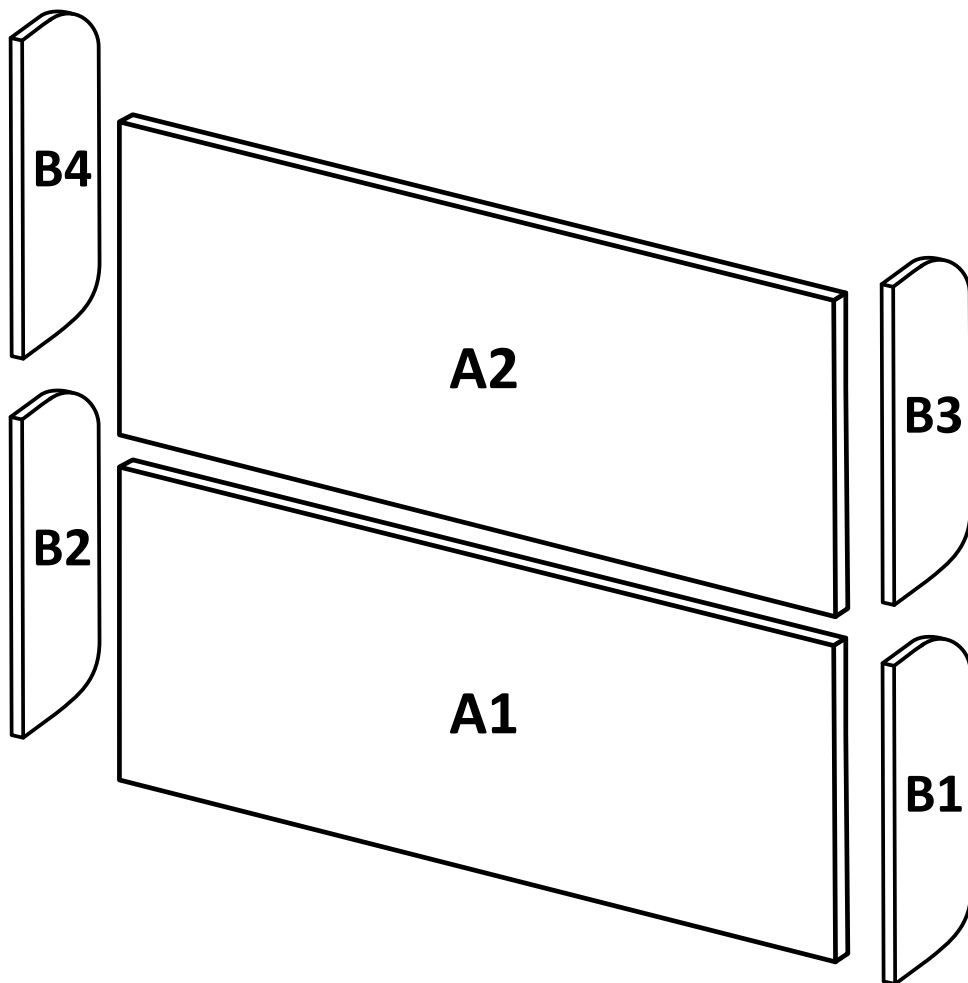
Install Notes:

Pistons cannot compress by hand, they will attach to the bed in the extended position and compress when the bed is opened naturally.

When you are on the face panel section, we suggest clipping the panels on an adding only a few support screws as a test. Once it looks good then add in more supporting screws. You only need 2/3rds of the screws installed, spread them evenly apart.

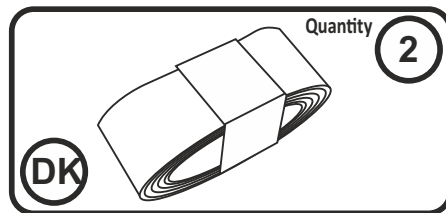
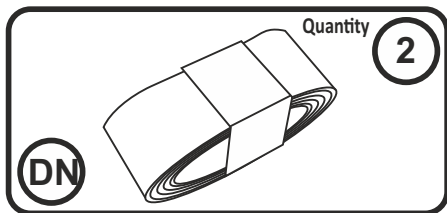
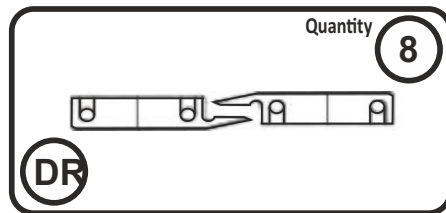
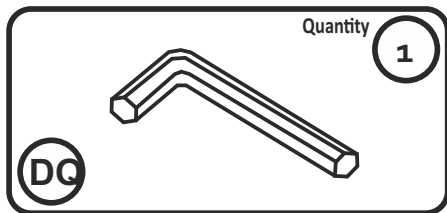
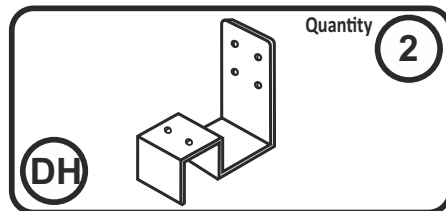
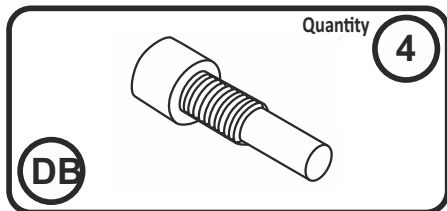
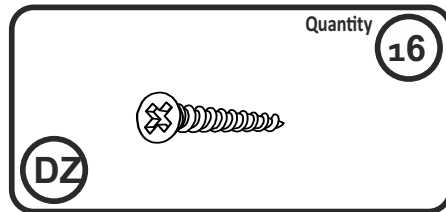
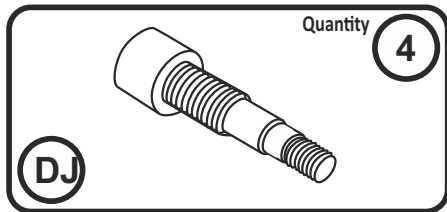
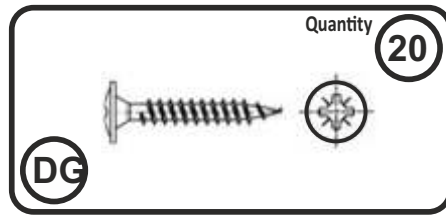
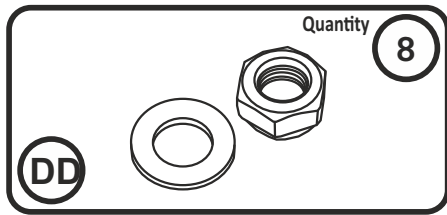
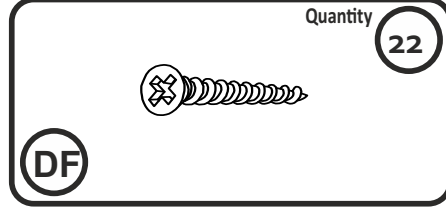
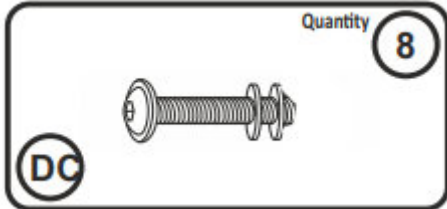
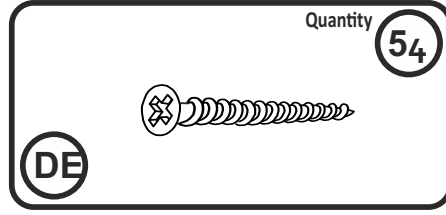
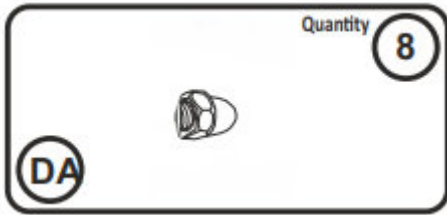
If you get stuck call or email us or hire a professional to finish off the job: [hps://expandfurniture.com/contact/](https://expandfurniture.com/contact/)

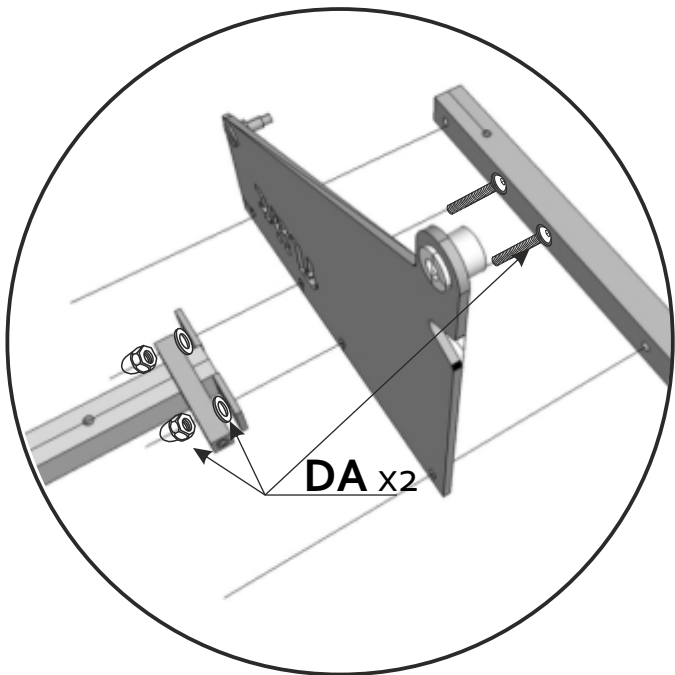
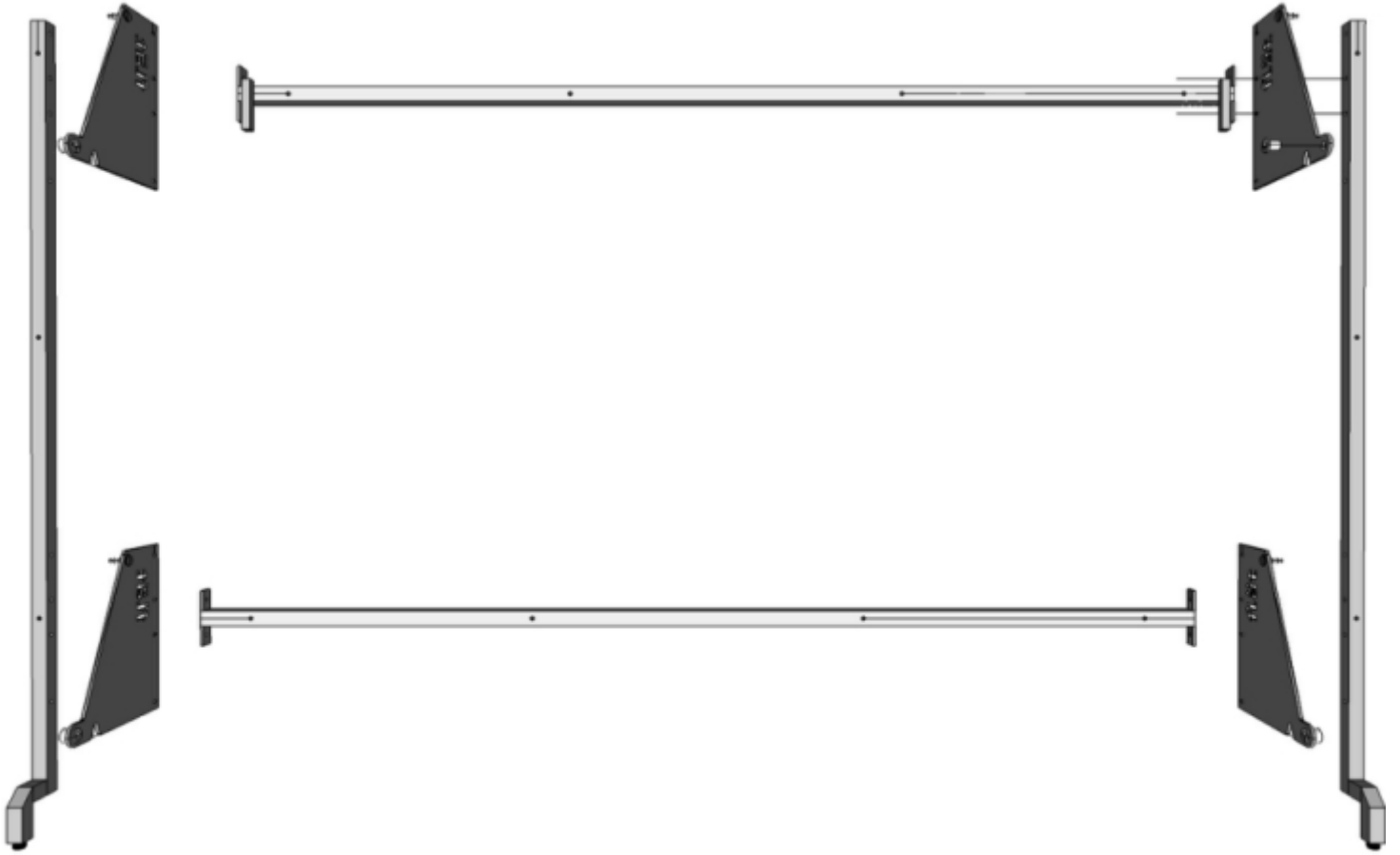
Please check panels for damage in transit as soon as you receive the bed and well before attempting installation. Panels are boxed with the visual sides facing inwards. Because of this If there is a light ding or scuff it will likely install with no visible elements. See the Panel build below. Regardless contact us if you have an issue.



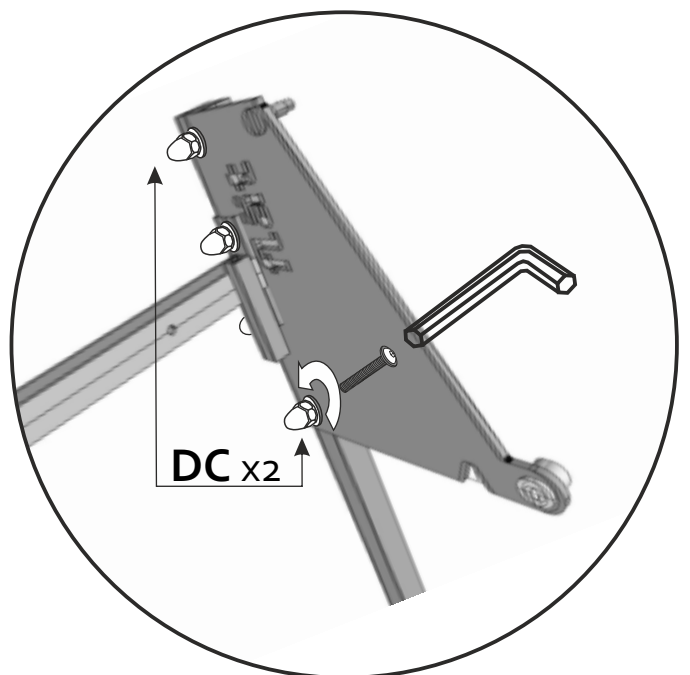
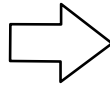
For some finishes there is a protective plastic film over the panels. We suggest removing the inside protective plastic film layer before installing the panels. You can leave the outside protective layer on until the end if you like, or remove it now.

LIST OF PARTS

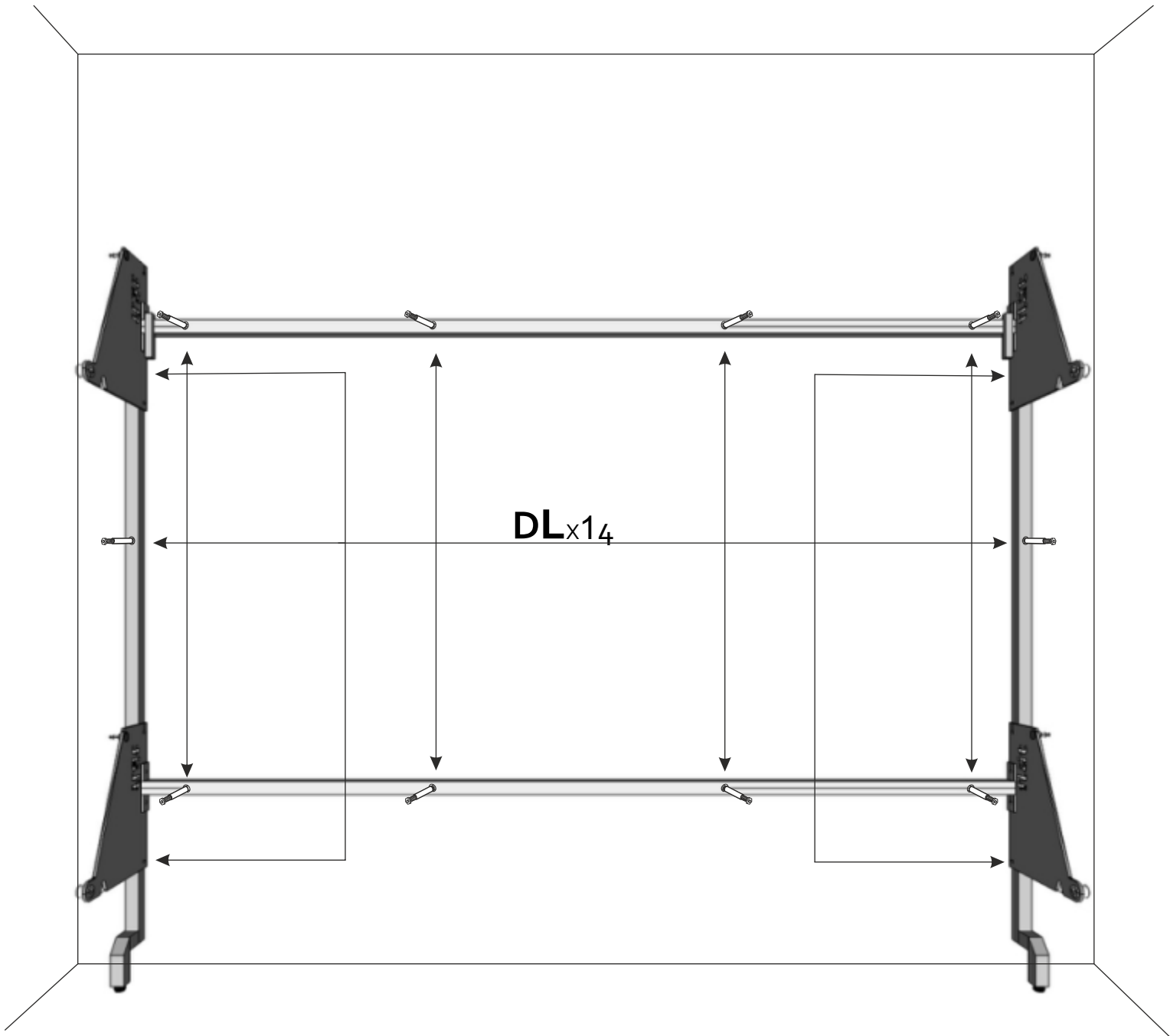


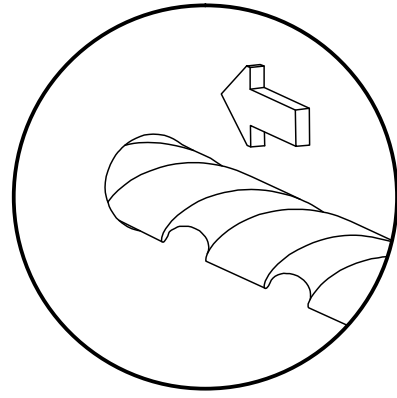
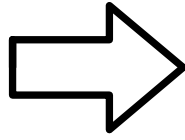
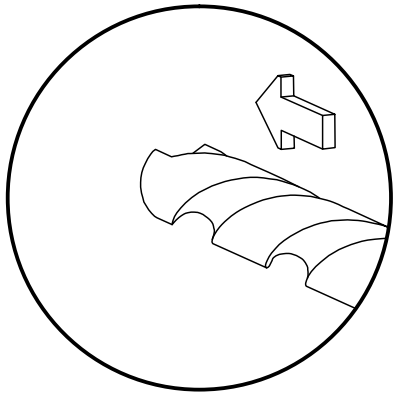


Step 1

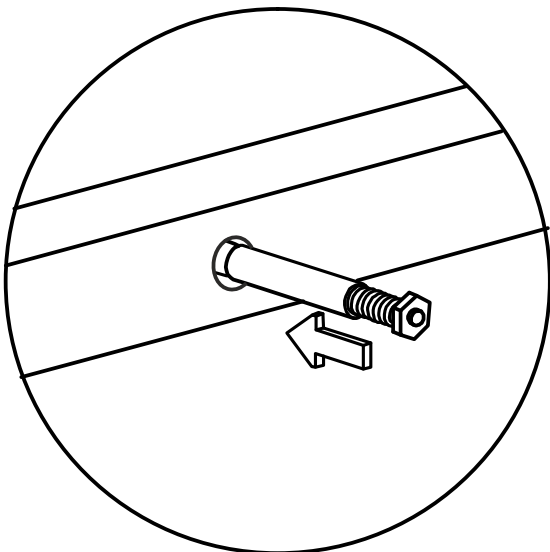
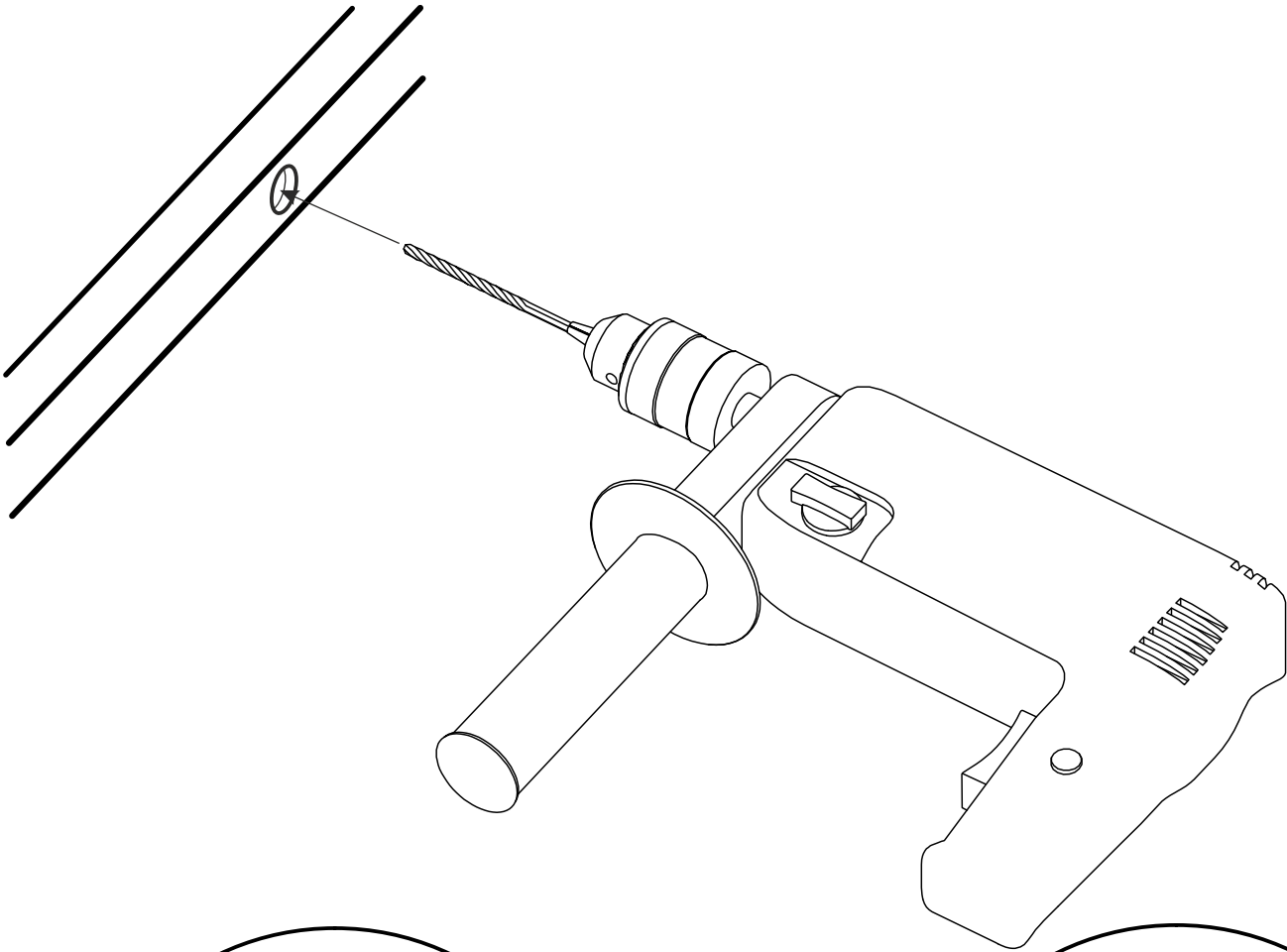


Step 2

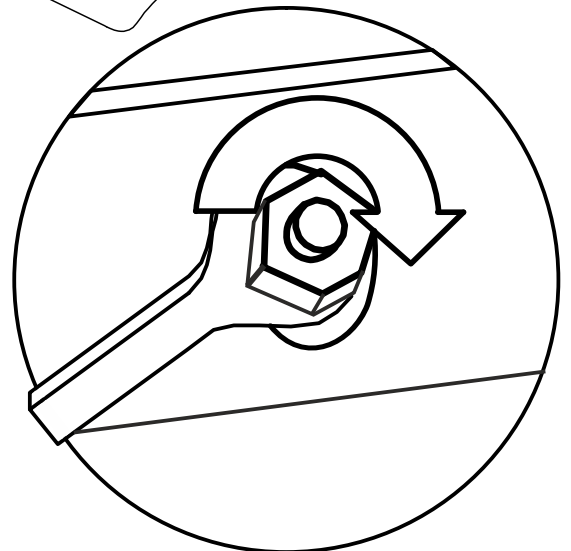
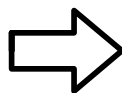




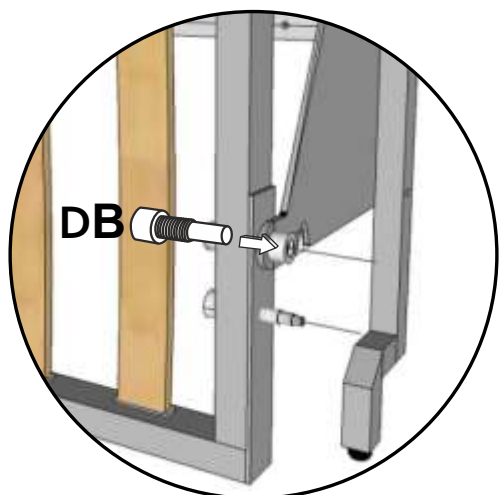
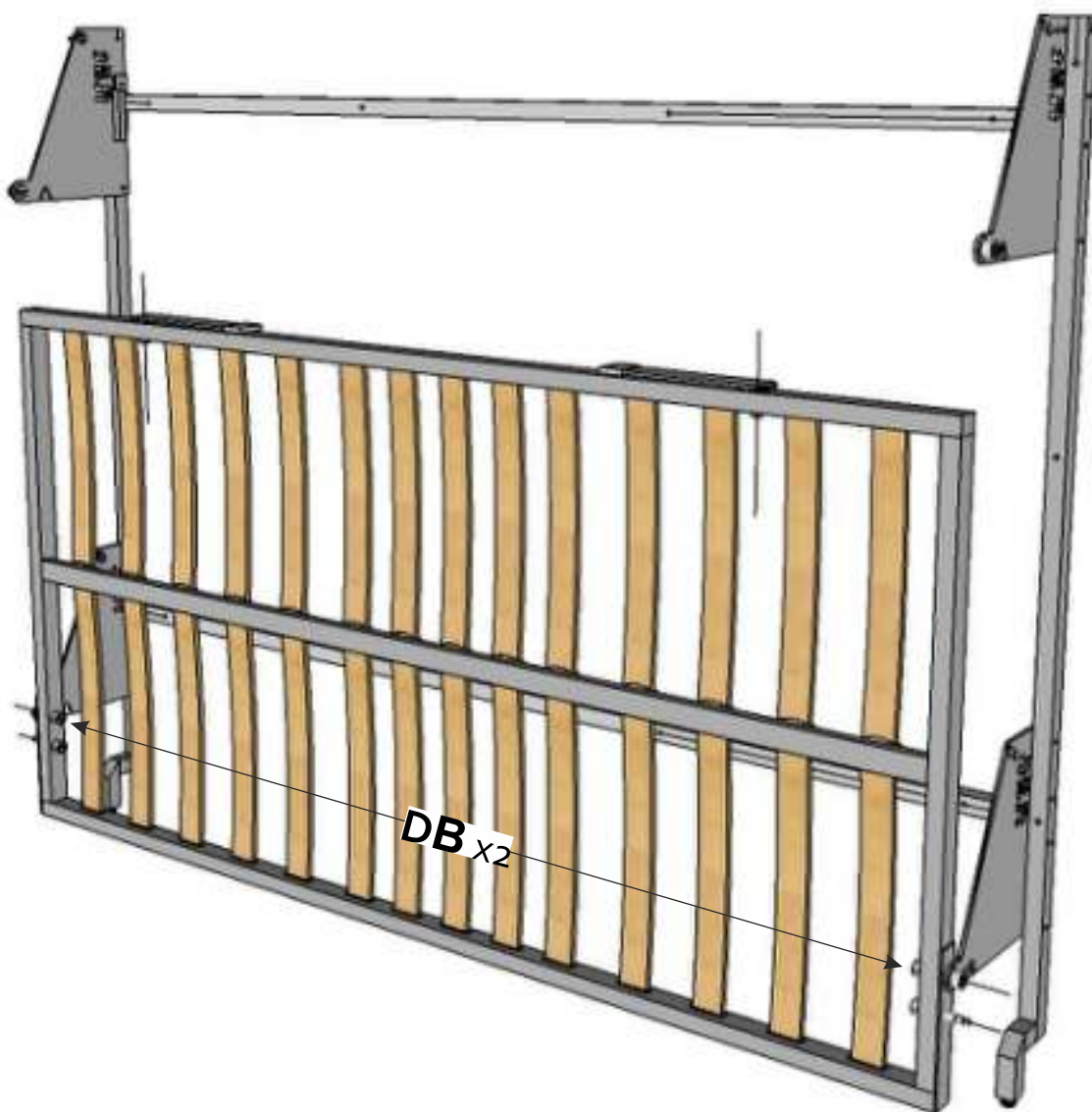
Drill holes



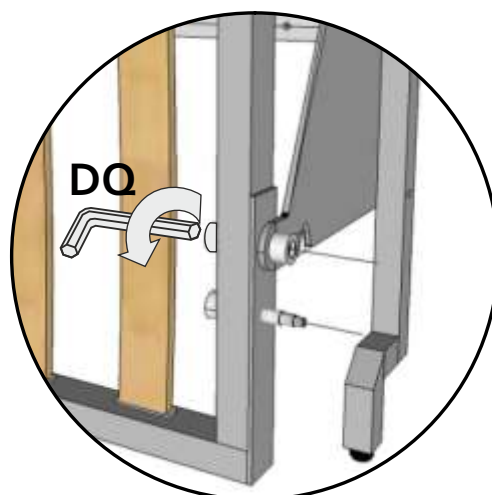
step 1



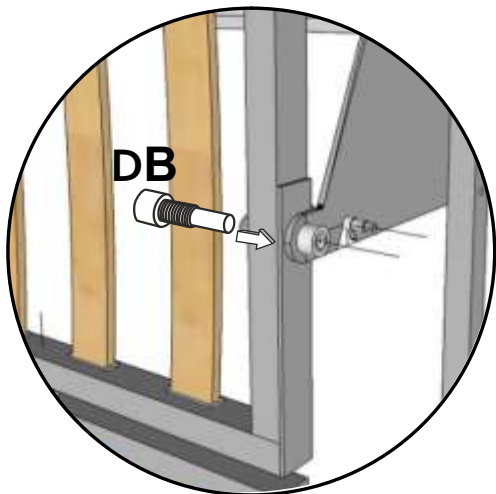
step 2



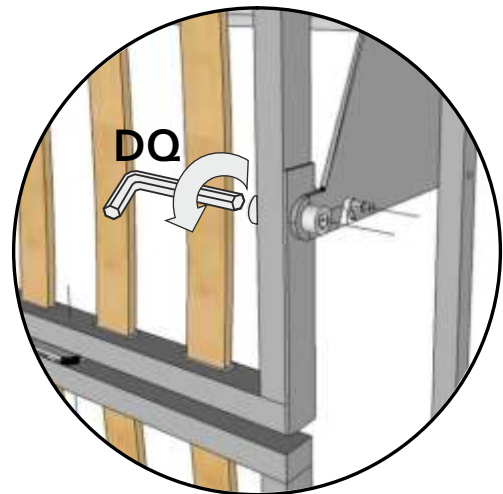
Step 1



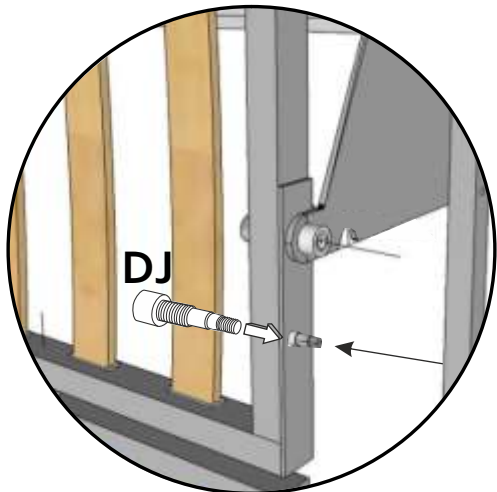
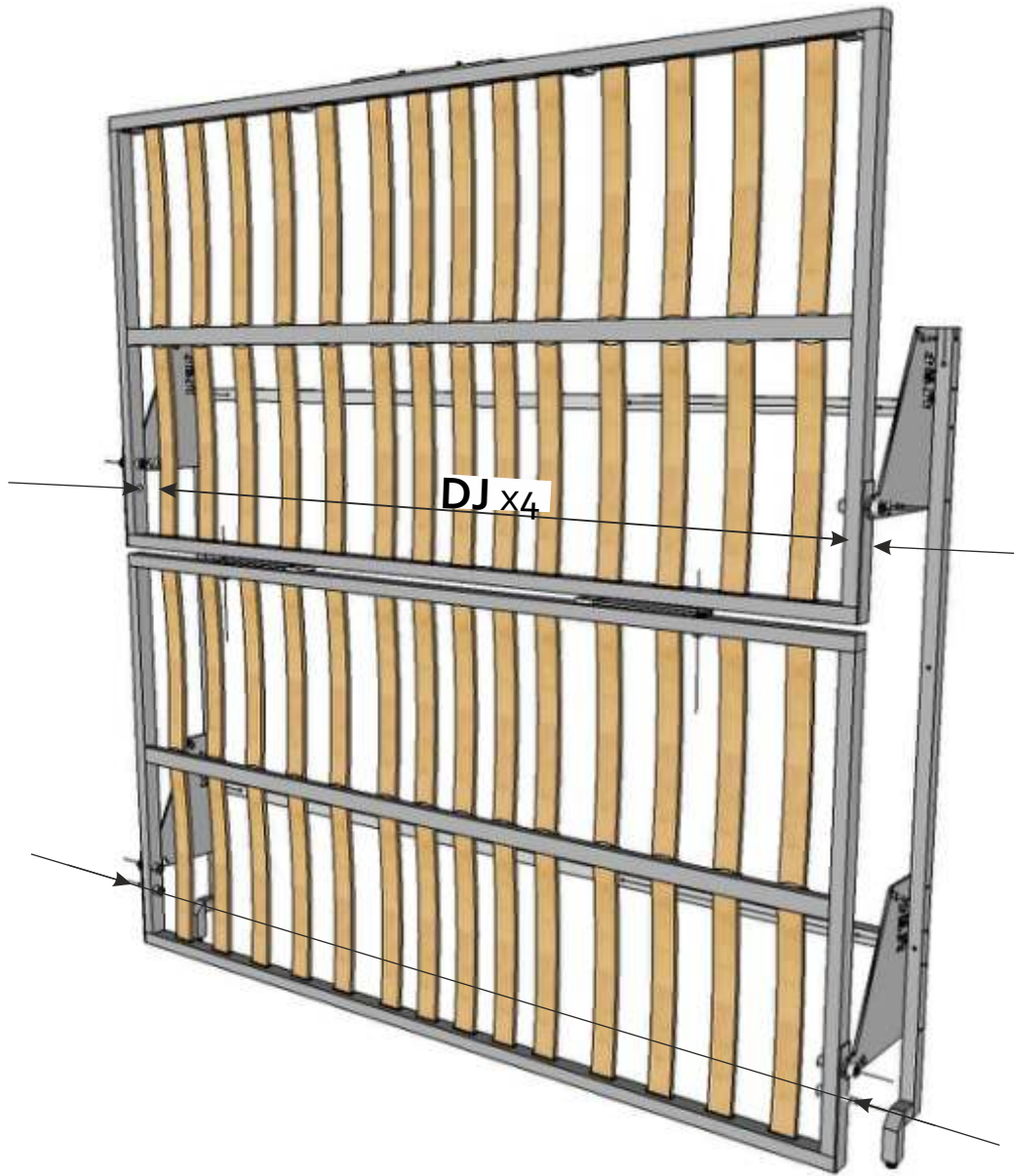
Step 2



Step 1



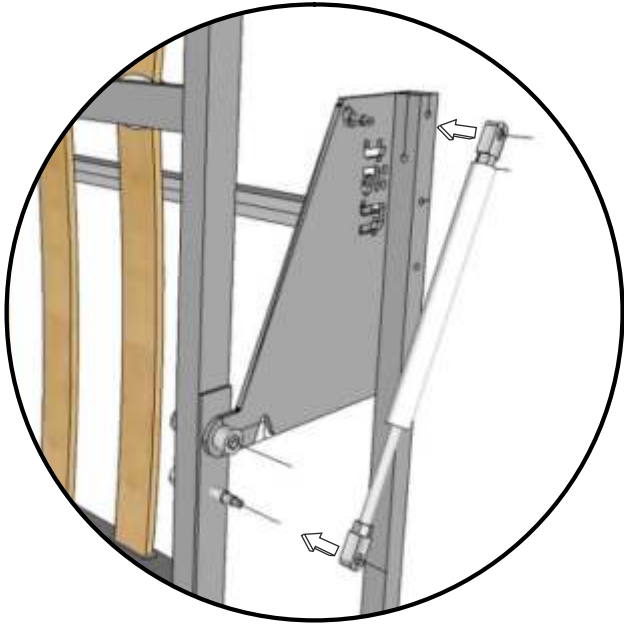
Step 2



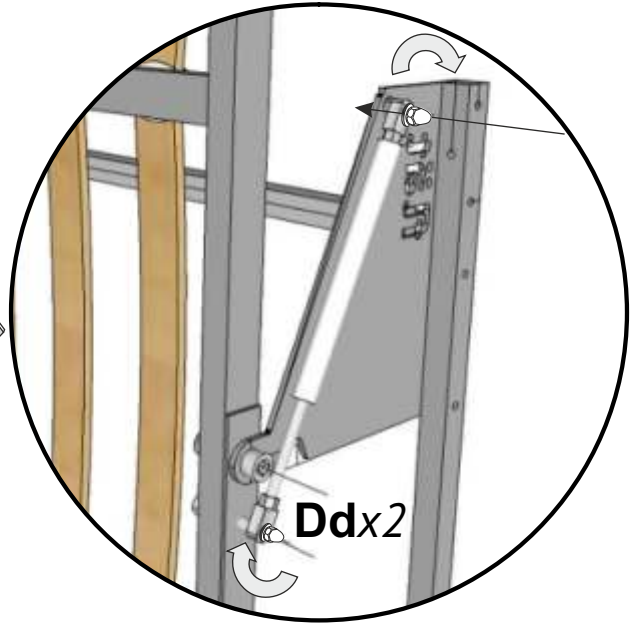
Step 1



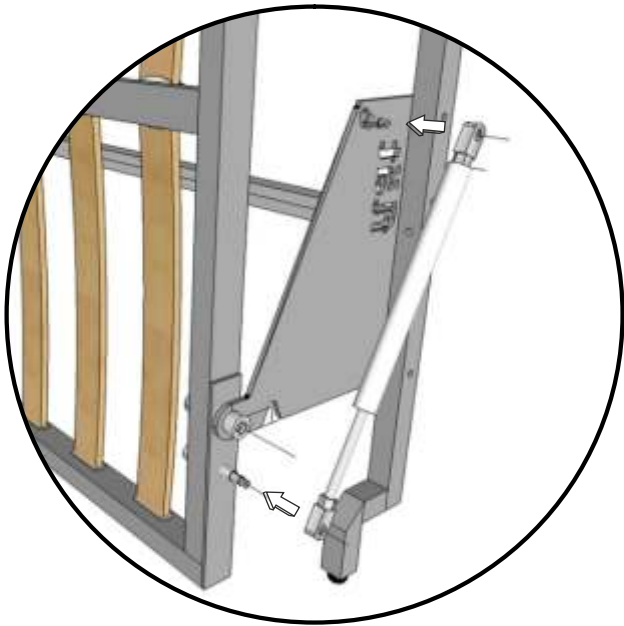
Step 2



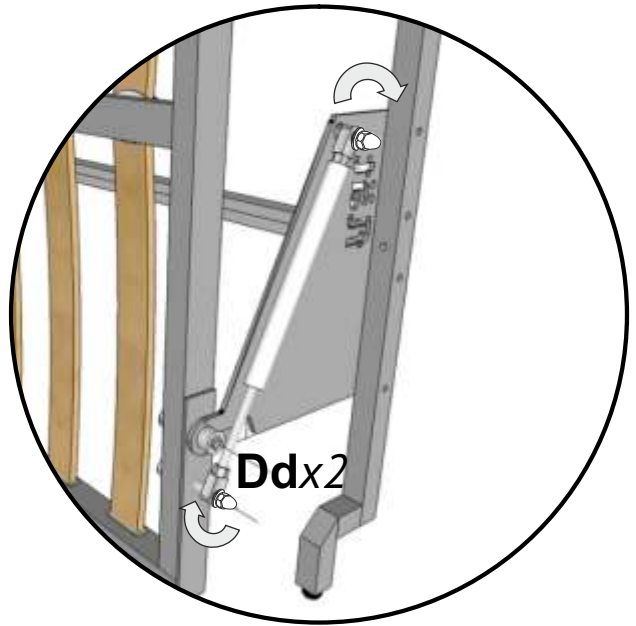
Step 1



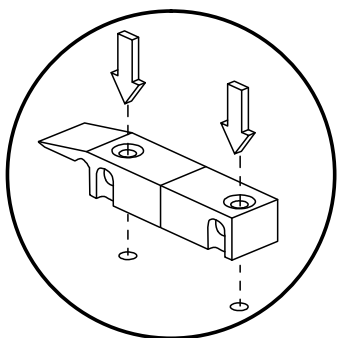
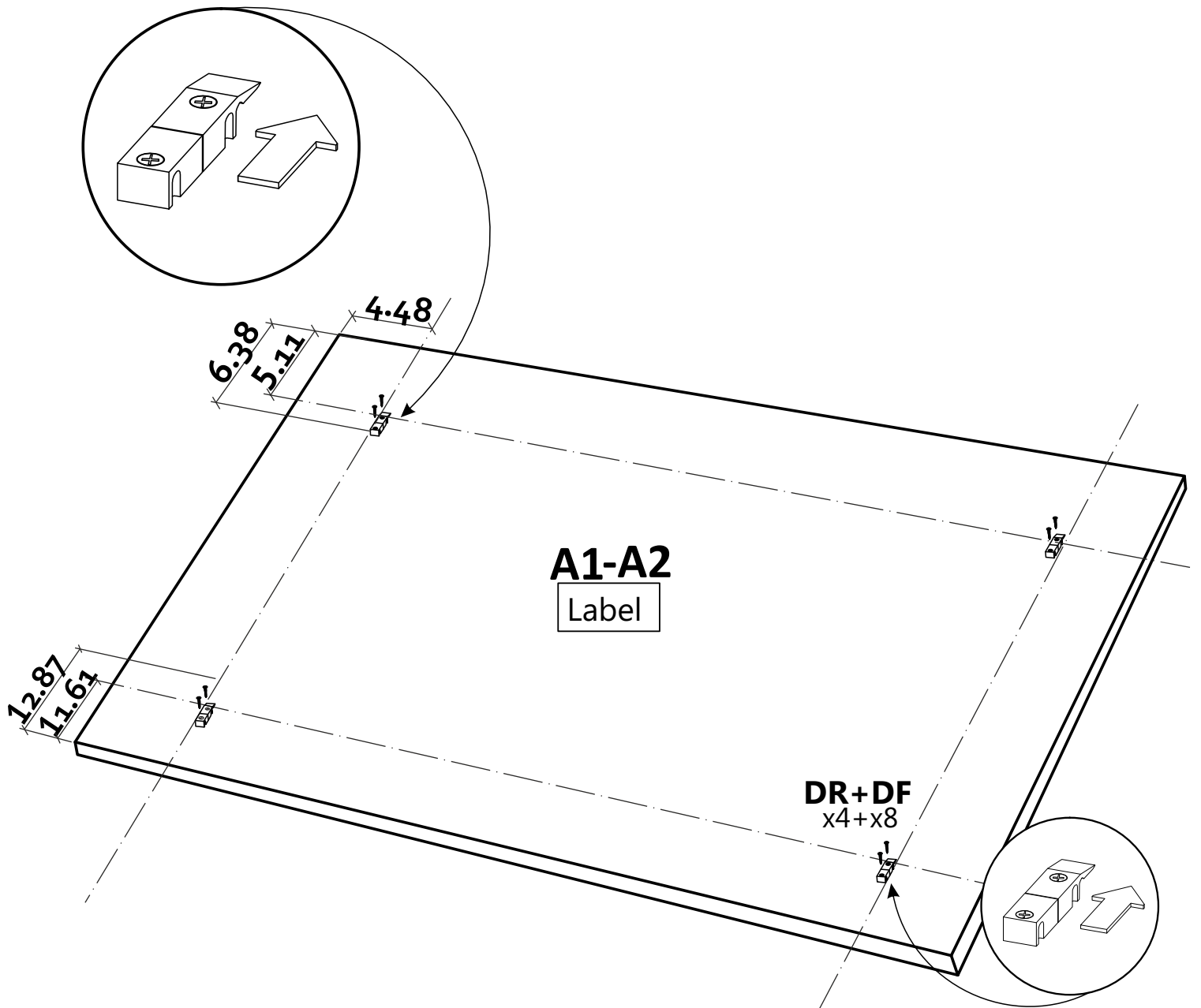
Step 2



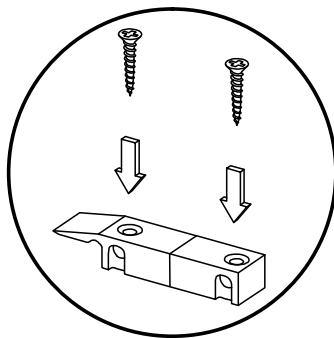
Step 3



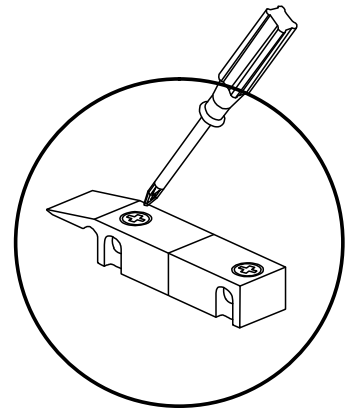
Step 4



Step 1



Step 2

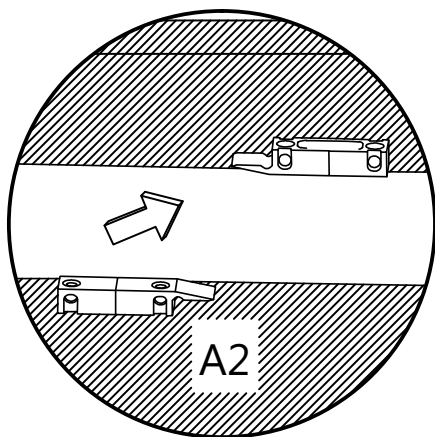
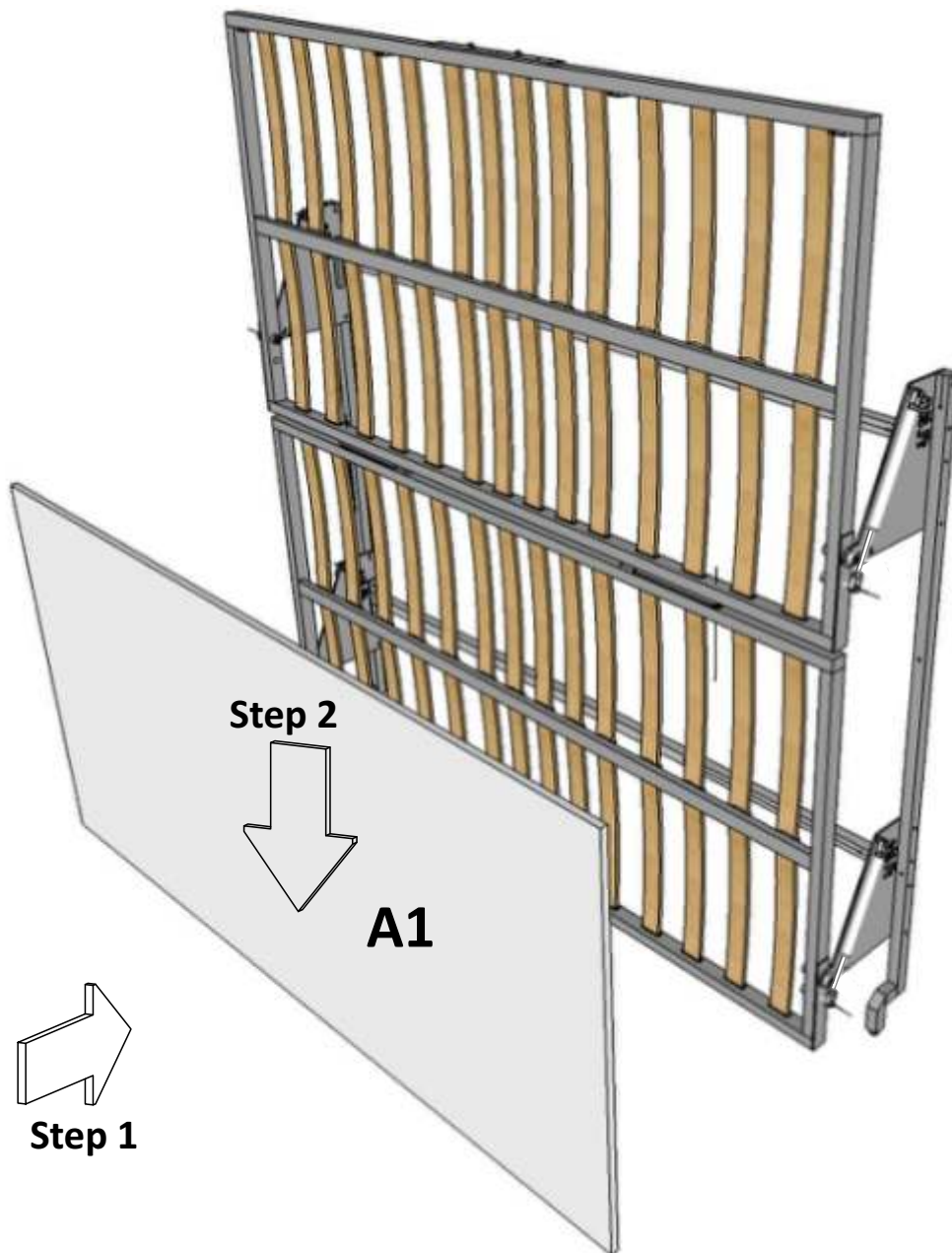


Step 3

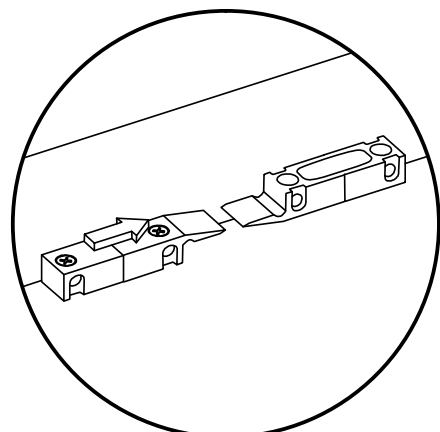
Face Panel Clips

Please measure the clips to make sure they are in the right position before drilling them in. This might require some slight adjustment. You can reposition these a few times if needed if you have trouble putting on the face panels.

We suggest installing the face panel with 2 people. 1 Face panel at a time.



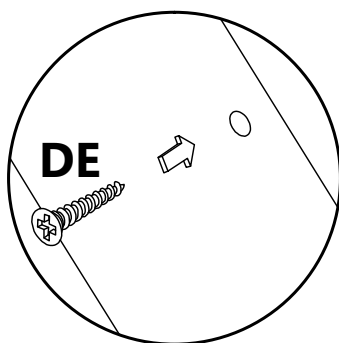
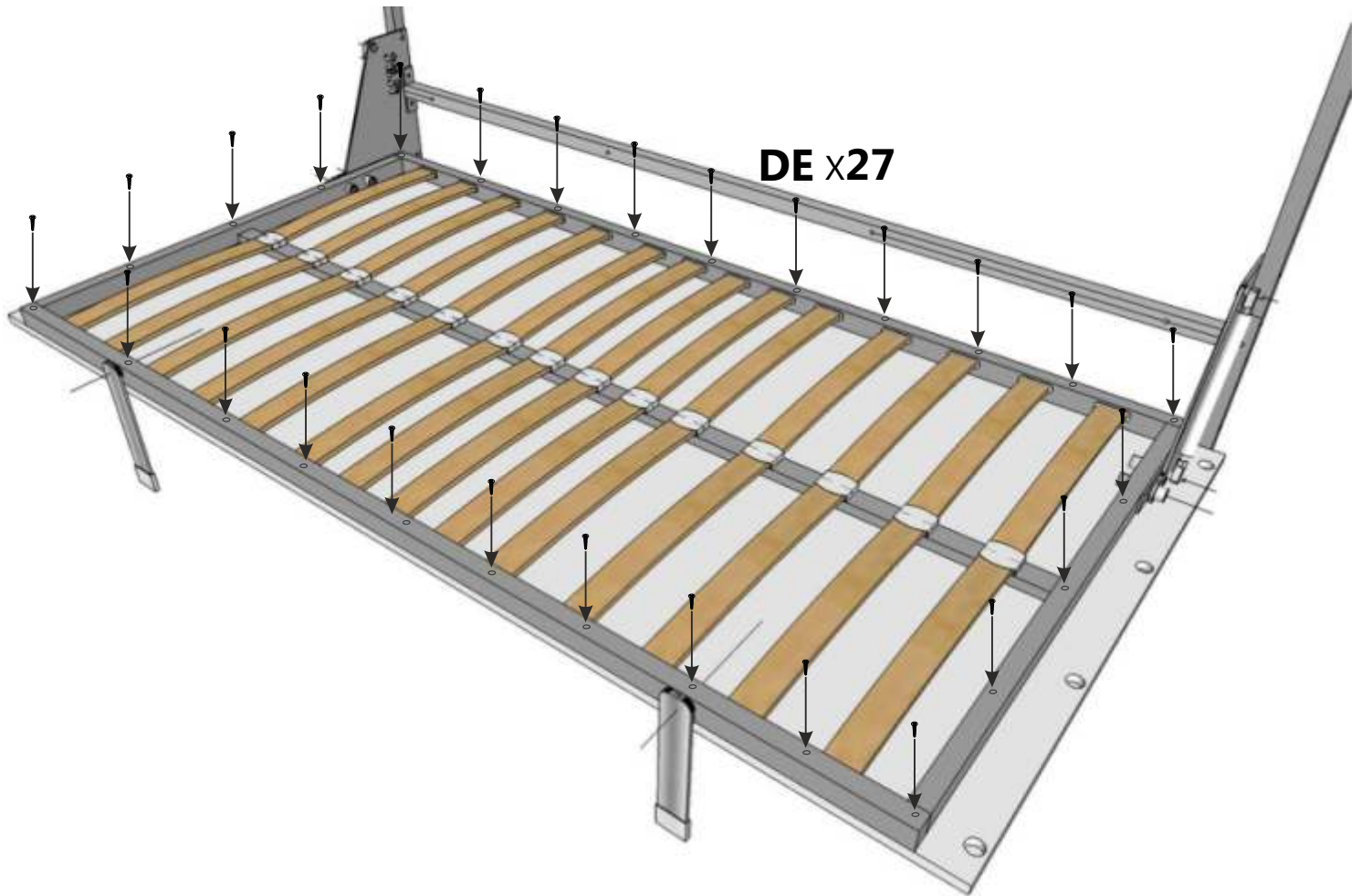
Step 3



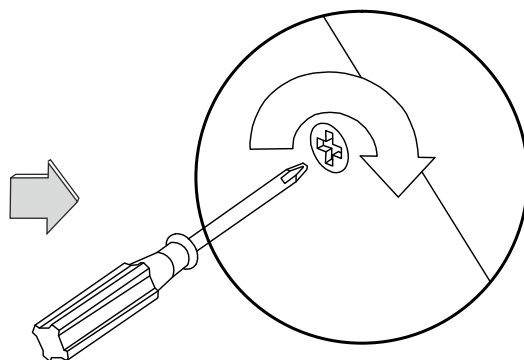
Step 4

Before drilling all the screws into the panels, we suggest putting in only a few support screws to perform some tests before putting in the remaining screws. 6 screws per panel evenly distributed is good for this test.

You will only use 2/3rds of the holes on the final install so please do not think you are short screws if you don't have enough for all the holes.

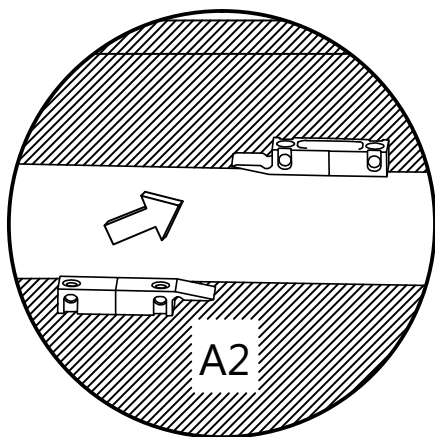
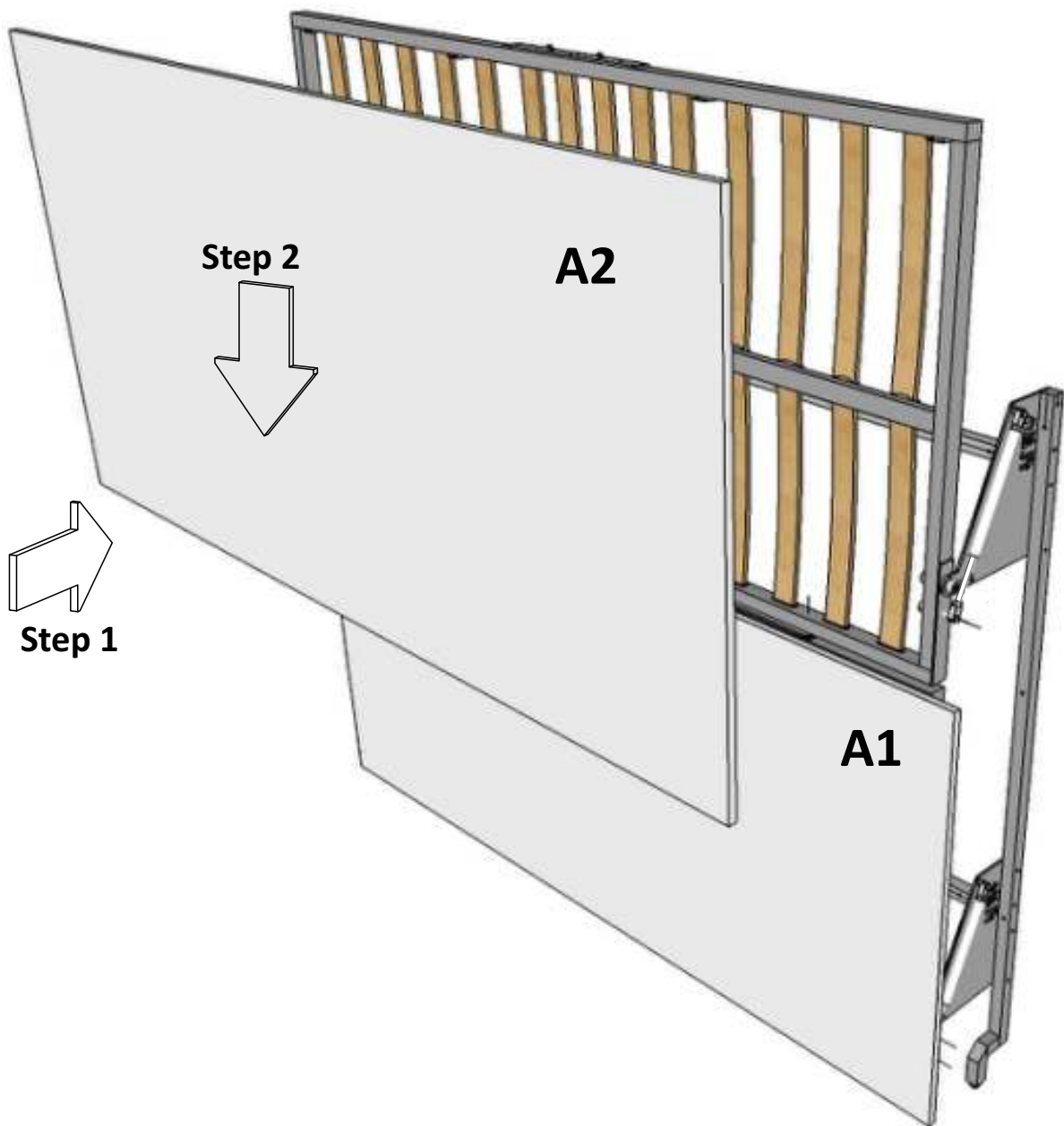


Step 1

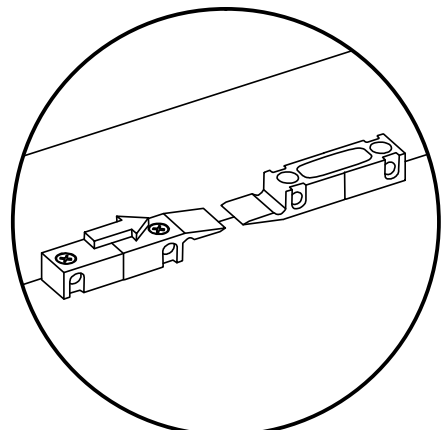


Step 2

We suggest installing the face panel with 2 people. 1 Face panel at a time.

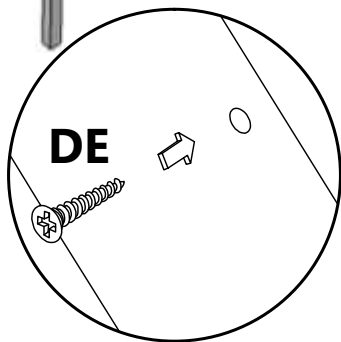
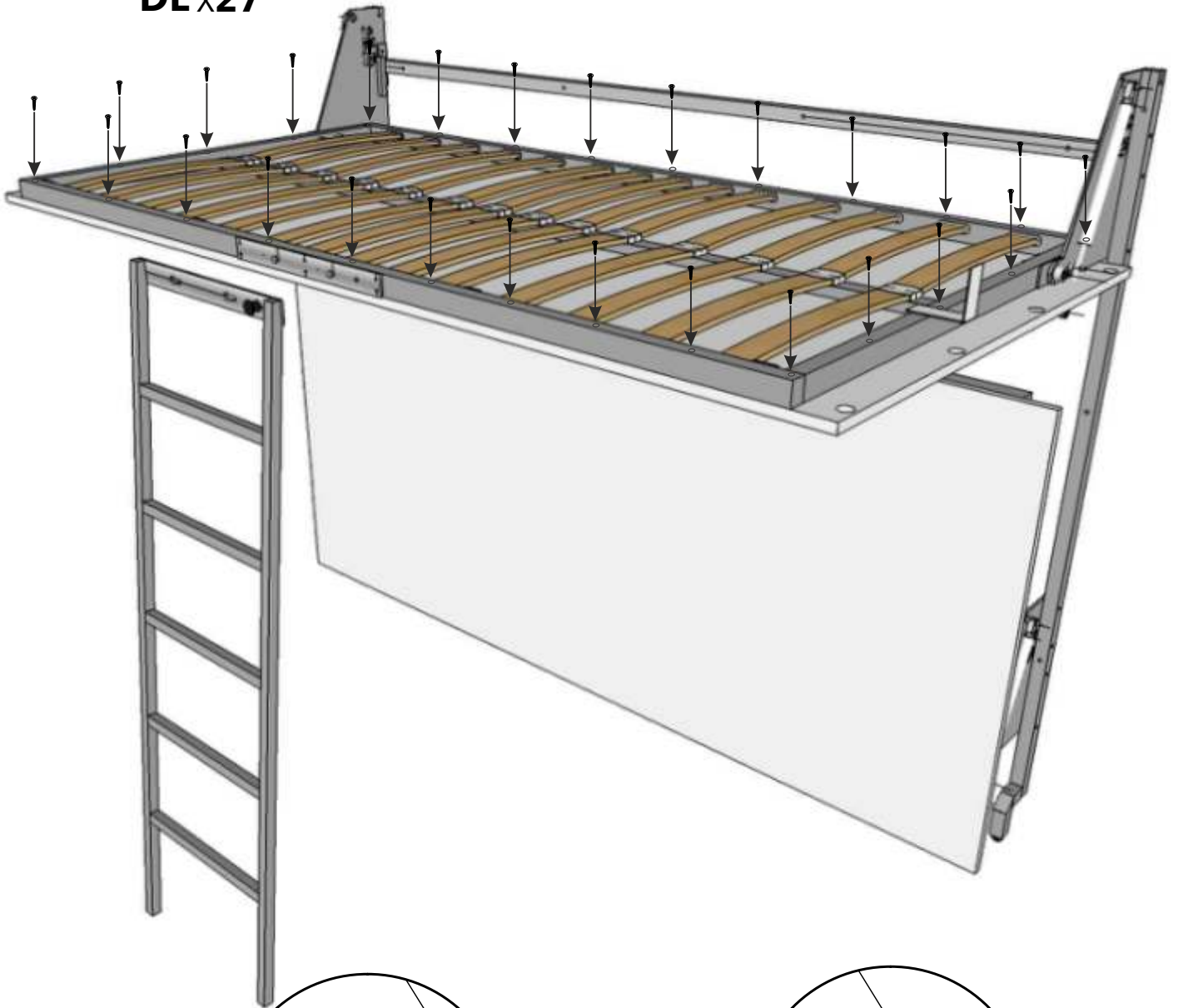


Step 3

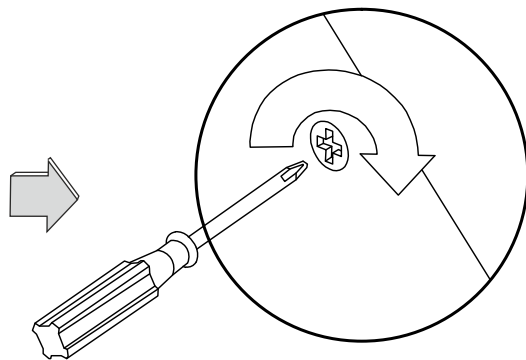


Step 4

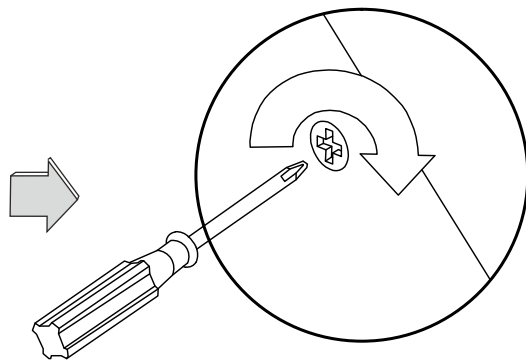
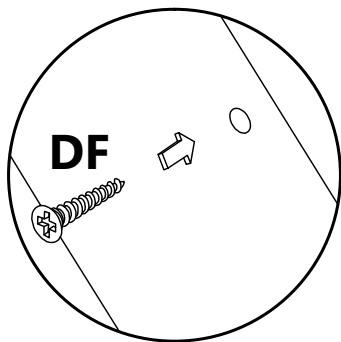
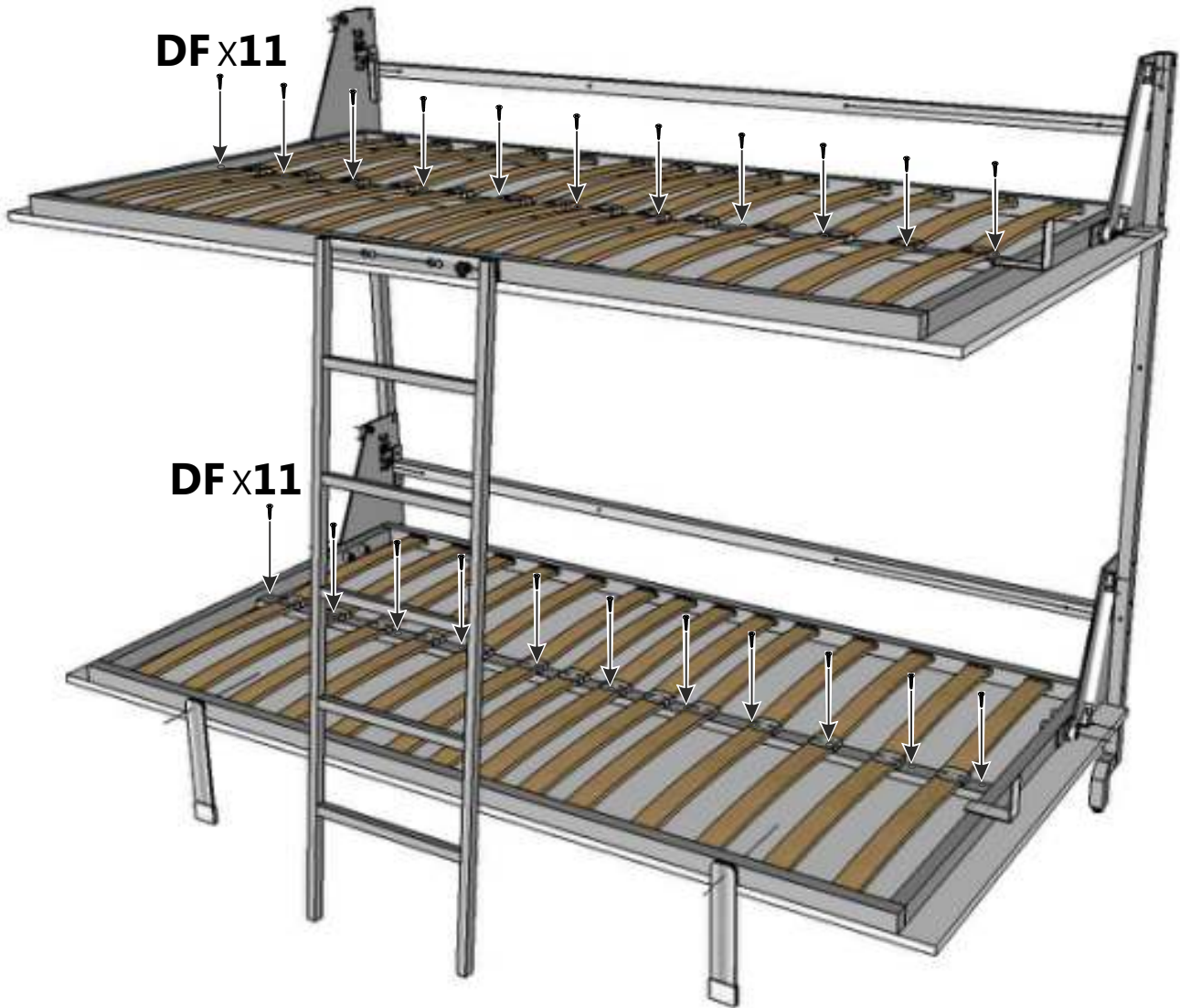
DEx27

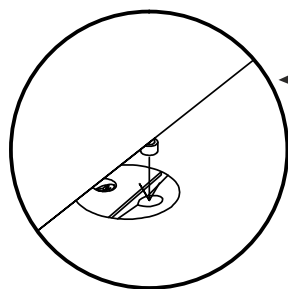
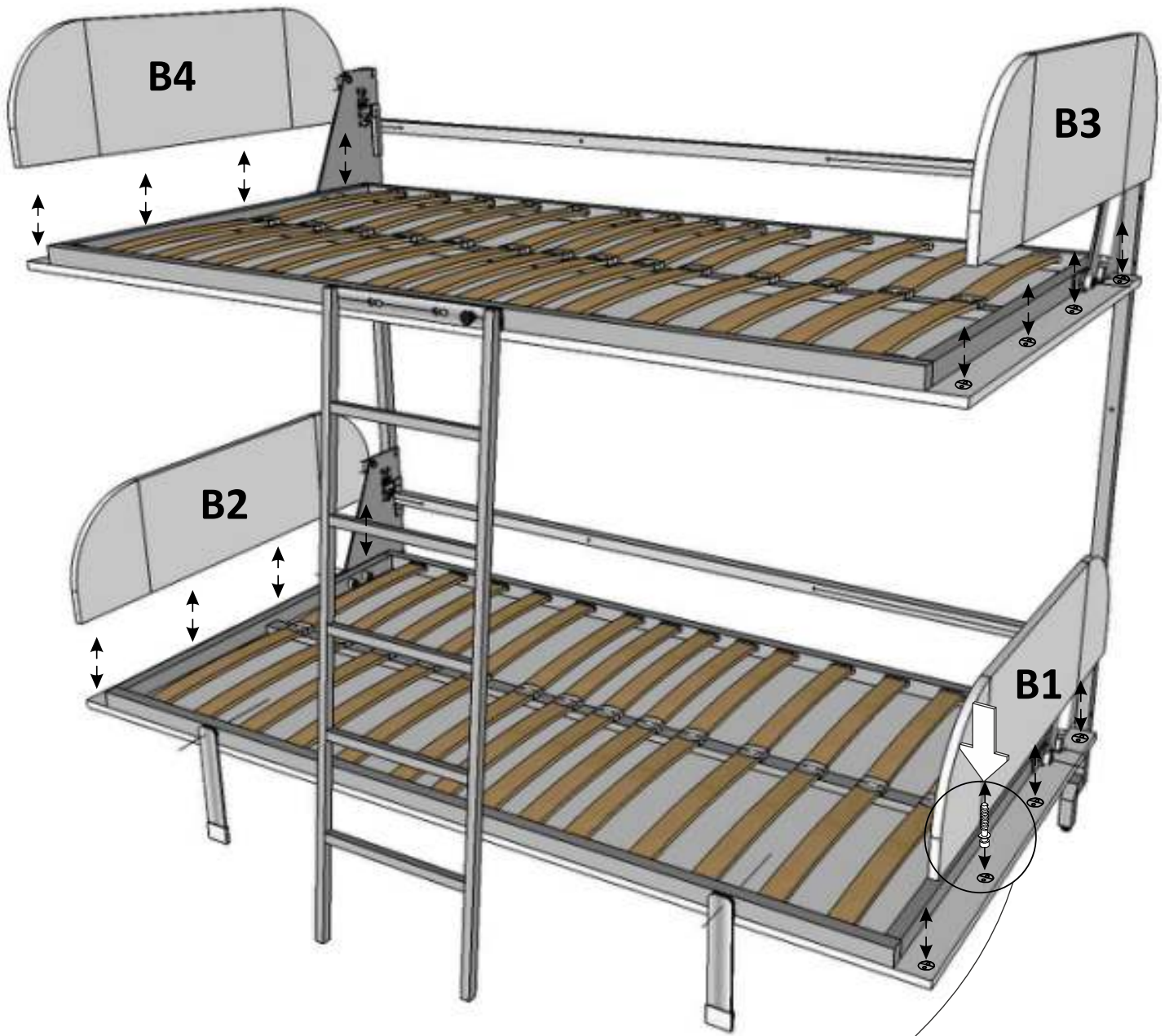


Step 1

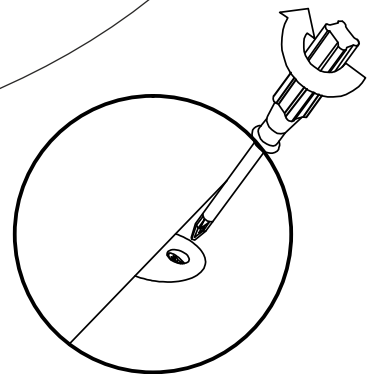


Step 2

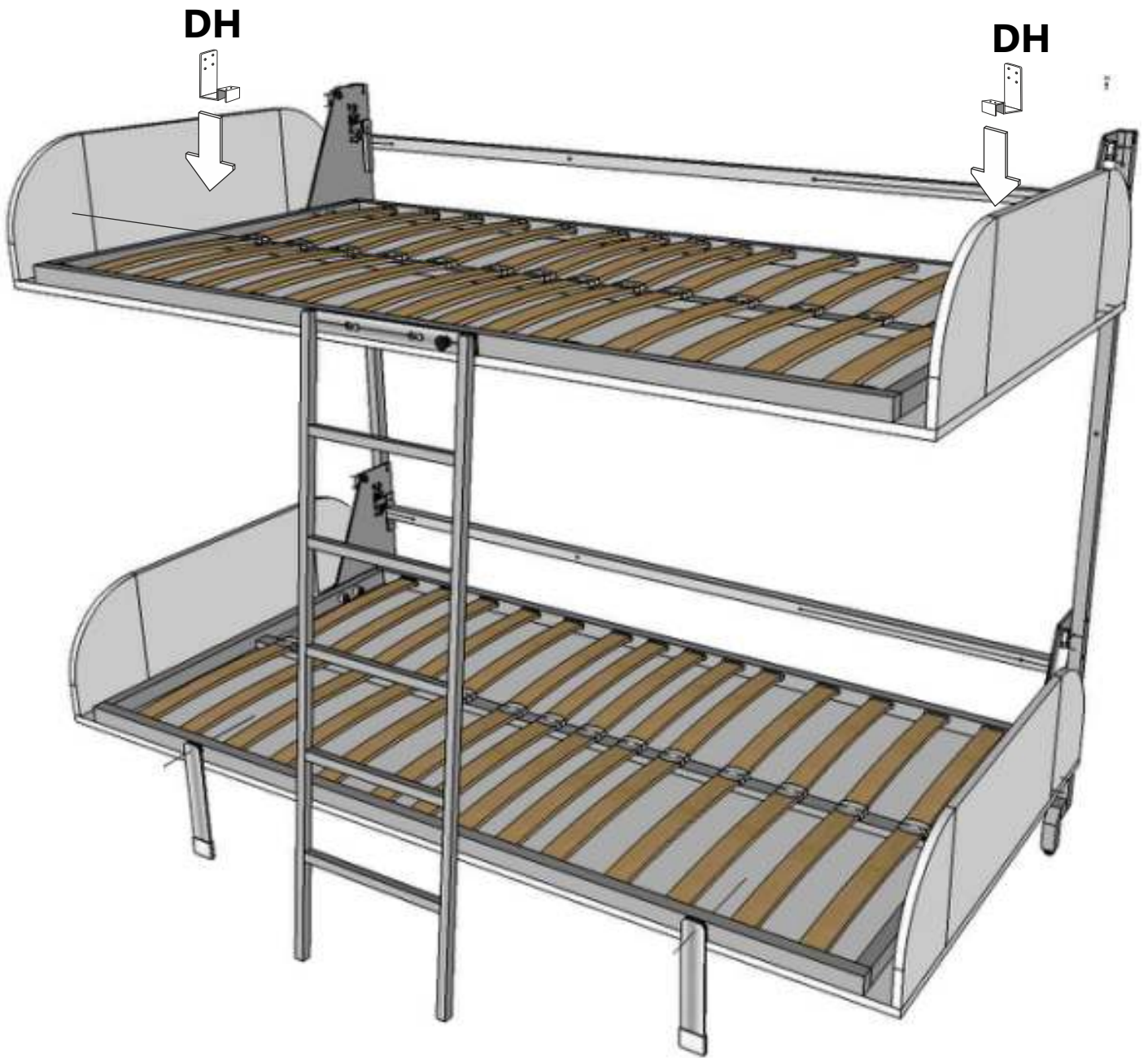




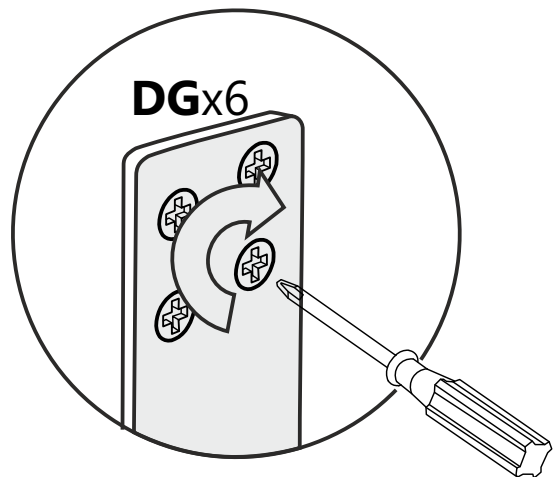
Step 1



Step 2

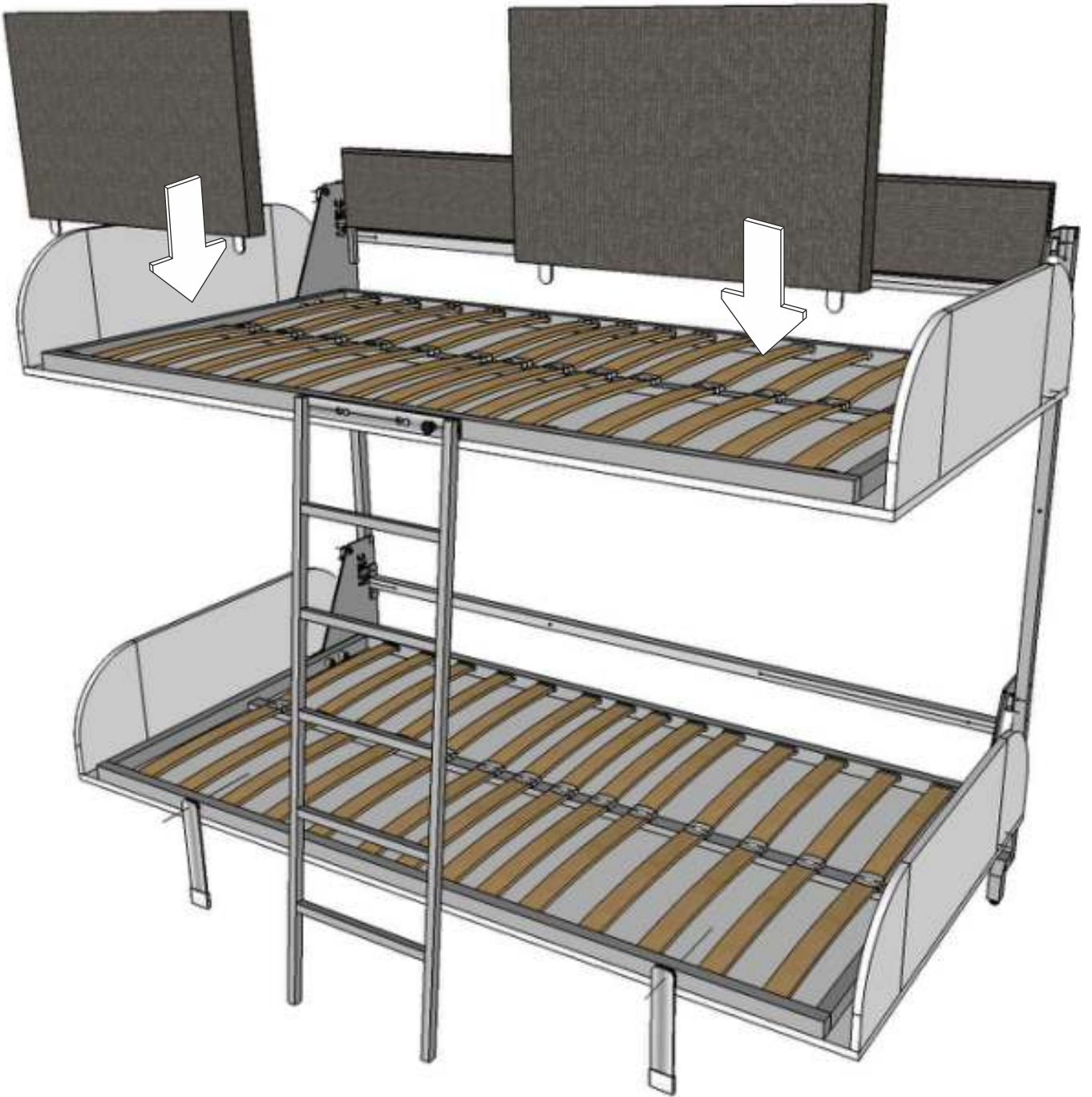


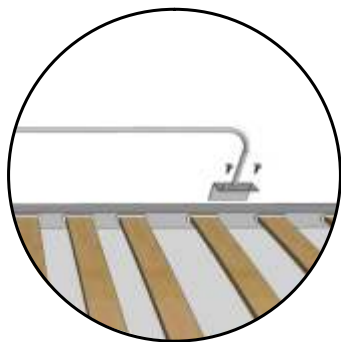
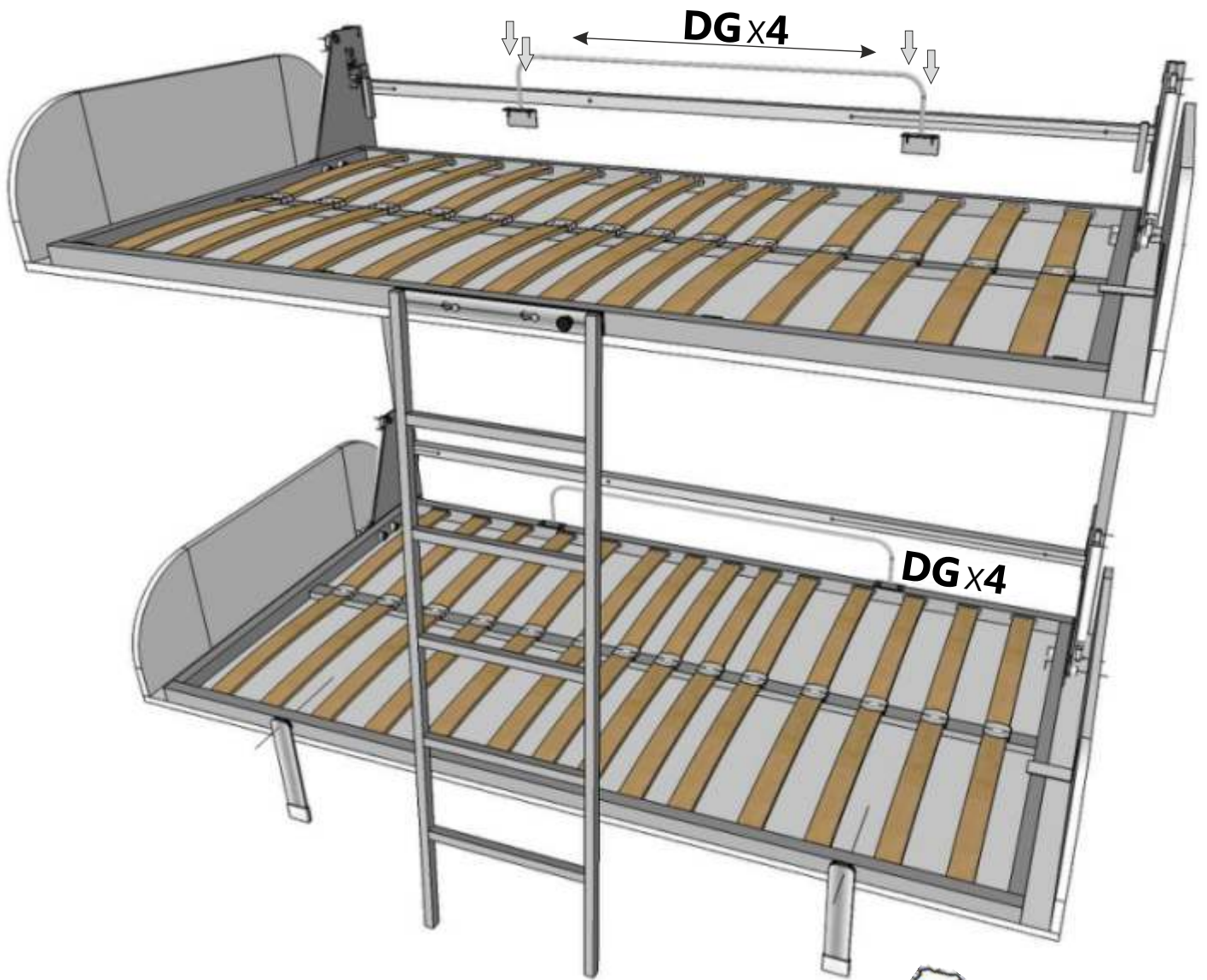
Step 1



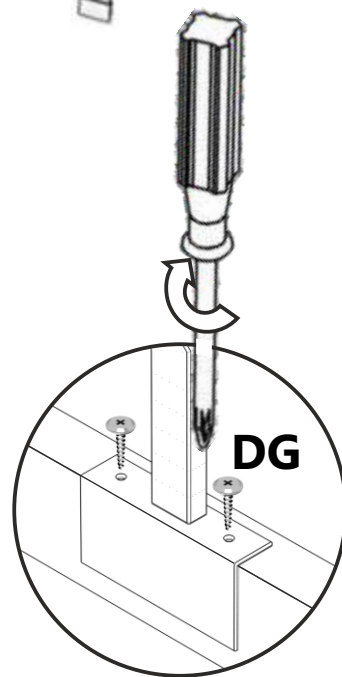
Step 2



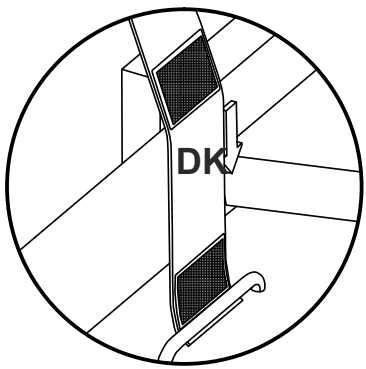




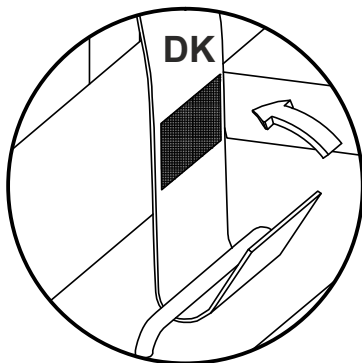
step 1



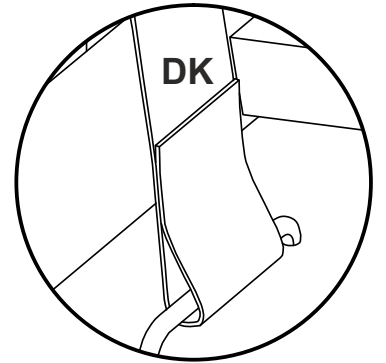
step 2



step 1



step 2



step 3