



ExpandFurniture.com

## Murphysofa Float Installation guide

**Tools & Parts that you will need that are not included:**

- Step Ladder, Power Drill/Screw Driver
- Wall Anchors for your wall type: ~12 are recommended with a strength rating of at least 100+ lbs each
- Consider some extra wall brackets x 3 (simple L shape)

**Mattress:** Recommended 60lbs + or you might need lighter pistons.

You should have a mattress before you start the install so you can test it. If you have a light mattress, please contact us before you start in case you need weaker pistons.

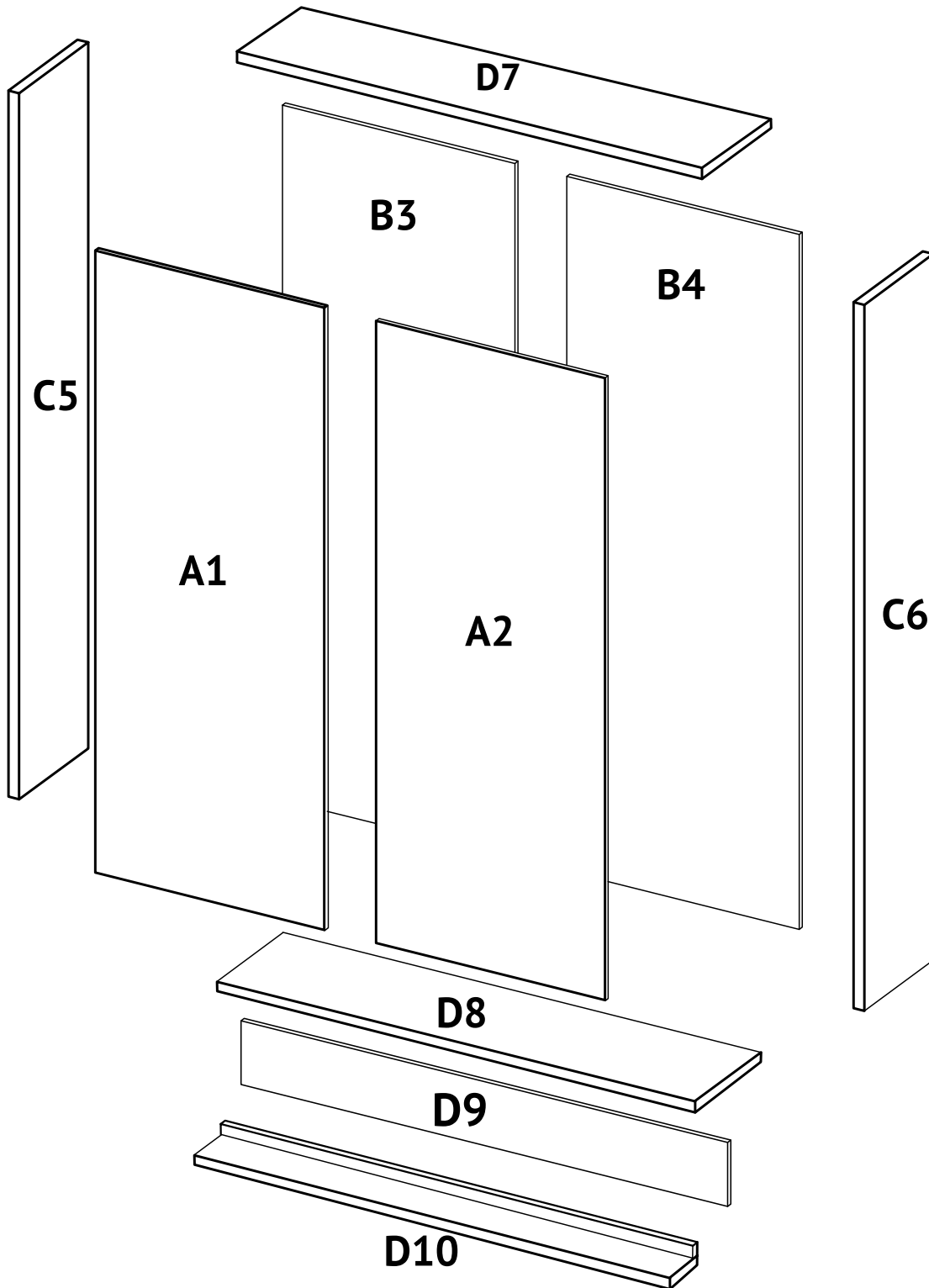
Expand Furniture Inc declines all liability caused by the incorrect assembly of the bed or failure to mount the bed. If you fail to mount the wall bed to the wall or correctly fasten it, we do not take responsibility for this.

We strongly recommend you watch the online video for key steps like installing the pistons. We have a full video install online:

**Important Notes & Tips for all installs:**

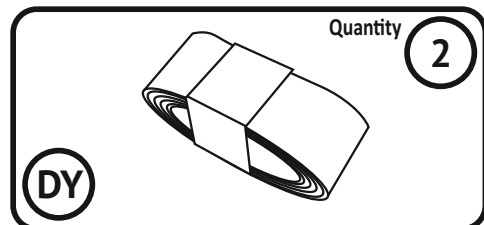
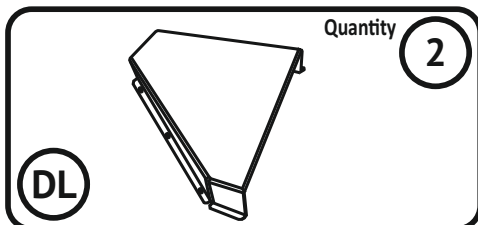
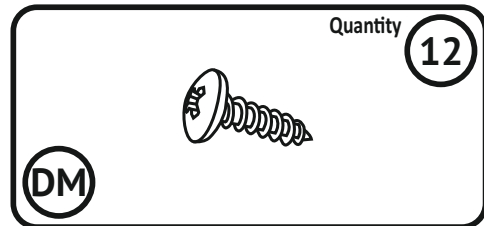
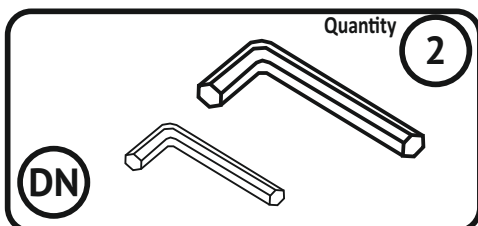
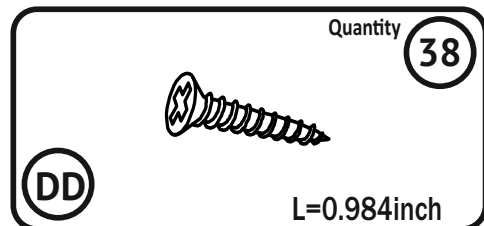
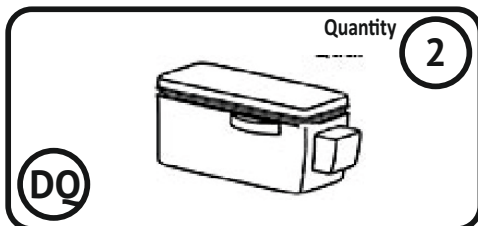
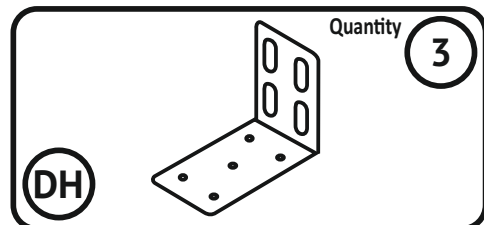
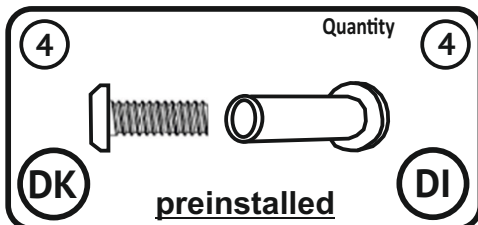
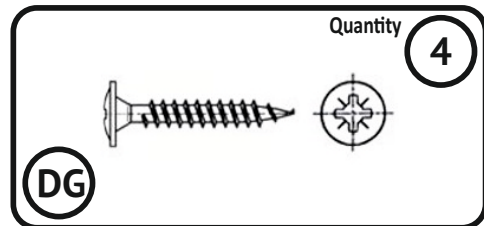
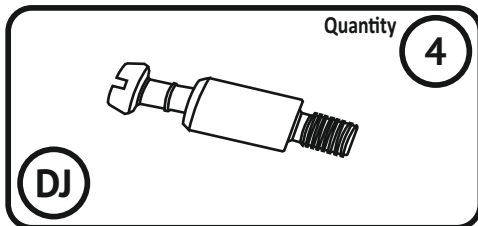
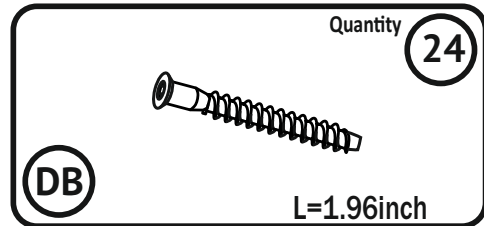
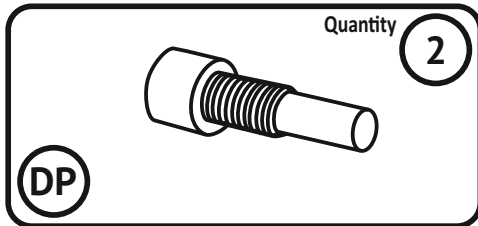
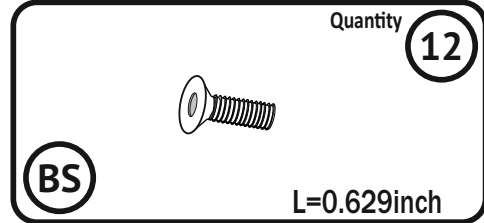
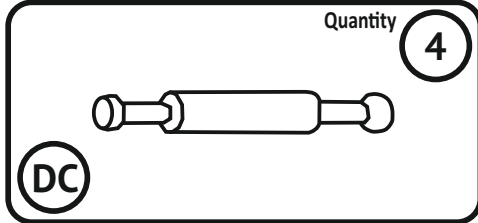
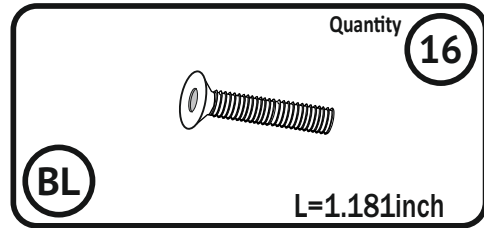
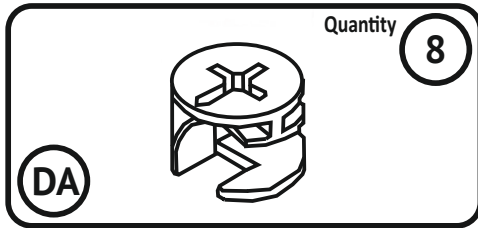
1. Clear your room as much as possible before you start the install. Unpacking the panels will take some time, longer than many expect, so do this in advance of your install. You will need a power drill, screw driver, wall anchors and a ladder.
2. All Hover & MurphySofa are do it yourself assembly and require wall mounts. It is up to you to determine your wall type, make sure it is safe and correctly mount the wall bed to your wall safely and properly. It is best to hit studs if you have drywall and make sure to use the correct wall anchors for your wall type. You can always install extra brackets and anchors for added security and peace of mind. Your local hardware store or your handyman/contractor should be able to advise on this.
3. Once you install the pistons there will be strong tension on the bed frame. This is normal! After you have the face panel and the mattress the weight will be correct, and it will work properly with normal tension. **For this portion the metal frame should not be flush, but it should go beyond flush (+3-5 inches) pushing inside the bed.** After you add on the face panel and mattress it will move closer to flush and there will be 'soft stoppers' to hold it in place flush.
4. If you get stuck call or email us or hire a professional to finish off the job: <https://expandfurniture.com/contact/>

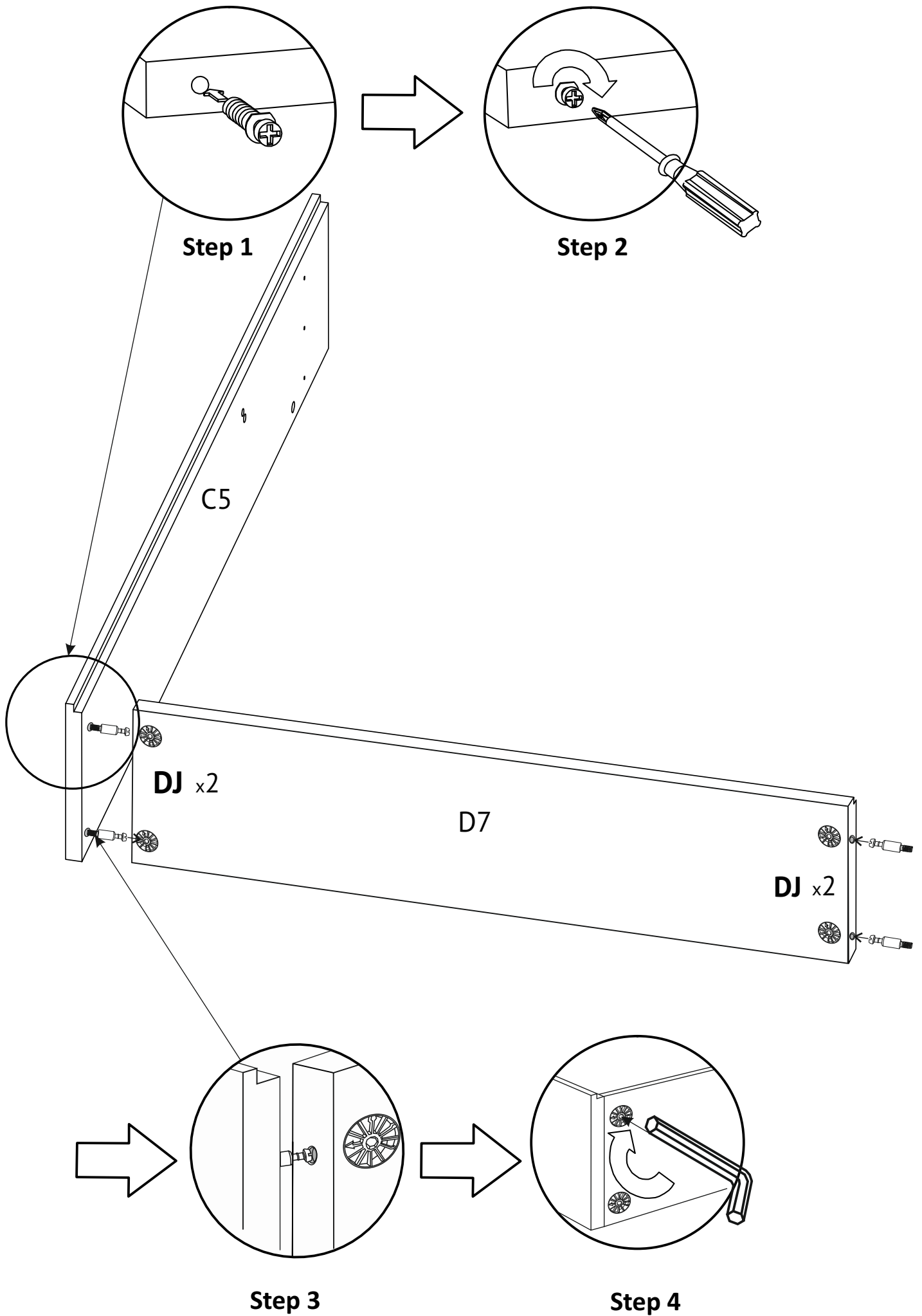
Please check panels for damage in transit as soon as you receive the bed and well before attempting installation. Panels are boxed with the visual sides facing inwards. Because of this if there is a light ding or scuff it will likely install with no visible elements. See the Panel build below. Regardless contact us if you have an issue.

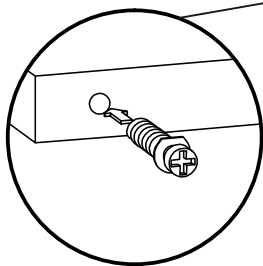
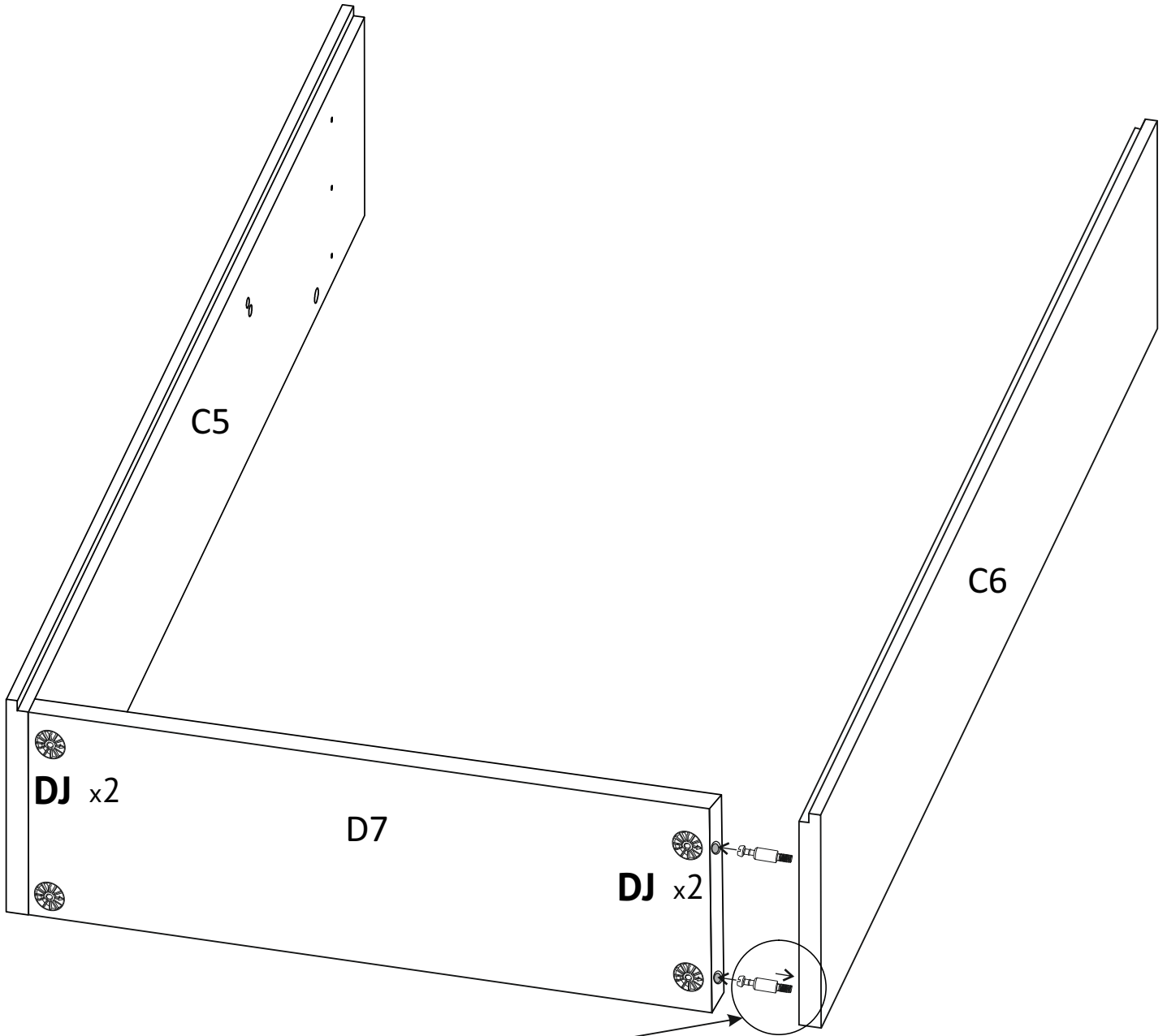


For some finishes there is a protective plastic film over the panels. We suggest removing the inside protective plastic film layer before installing the panels. You can leave the outside protective layer on until the end if you like, or remove it now.

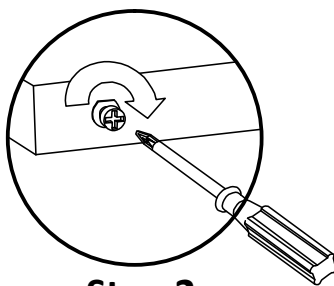
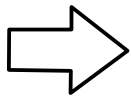
# LIST OF PARTS



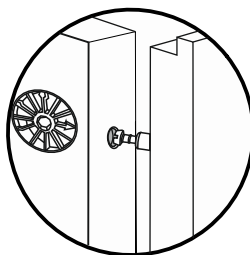




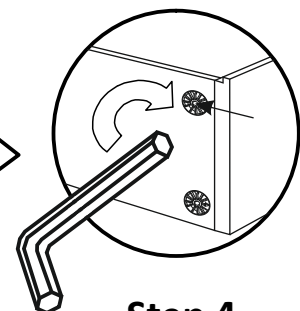
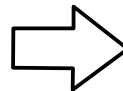
**Step 1**



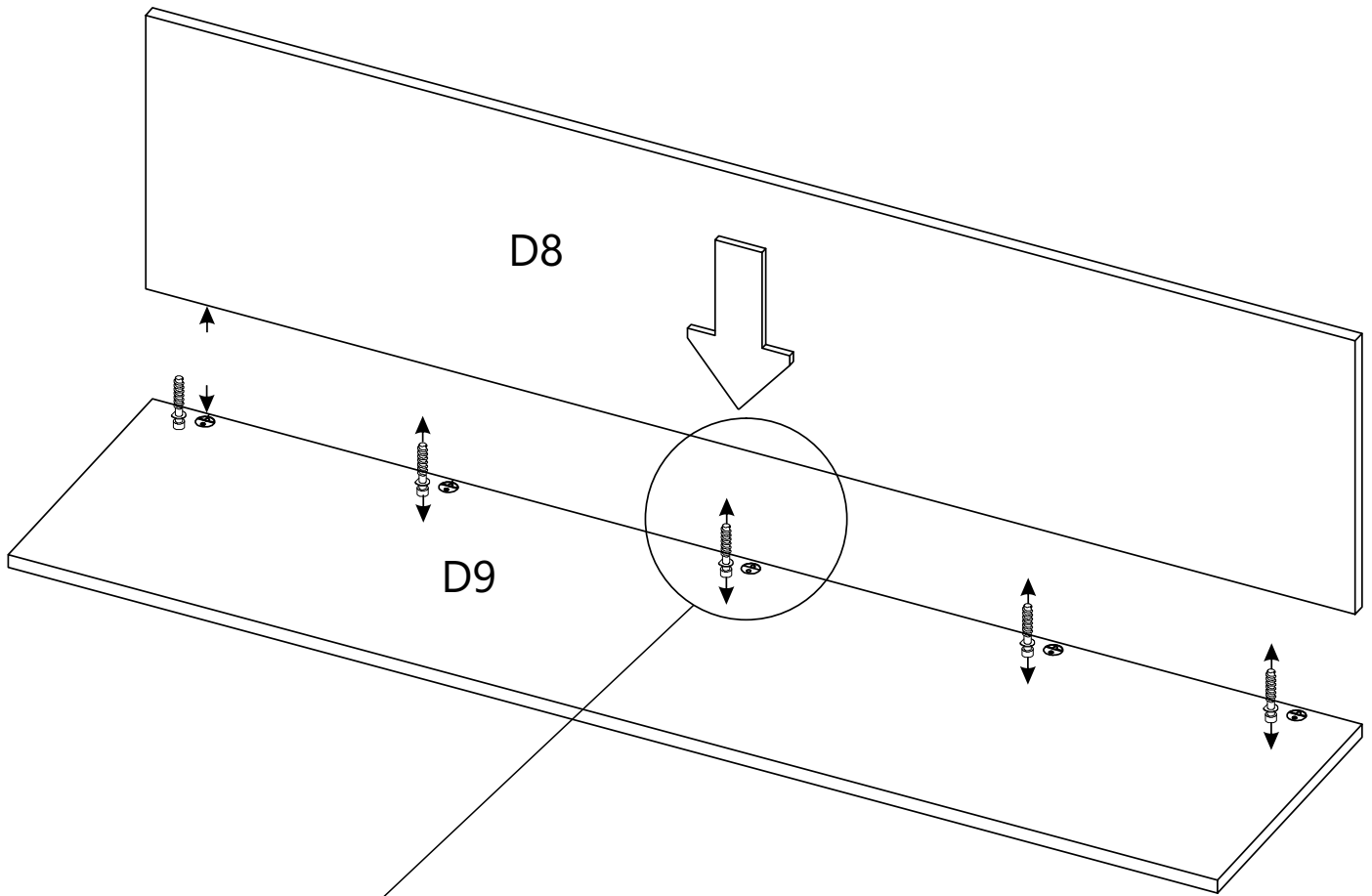
**Step 2**



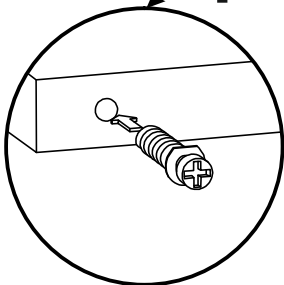
**Step 3**



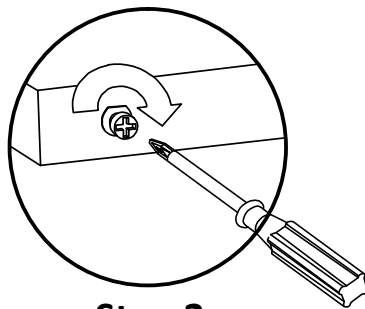
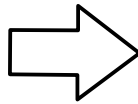
**Step 4**



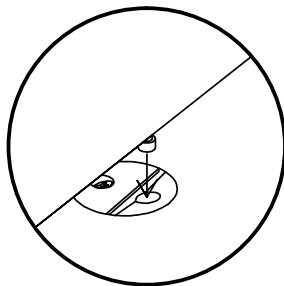
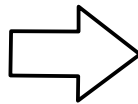
**preinstalled**



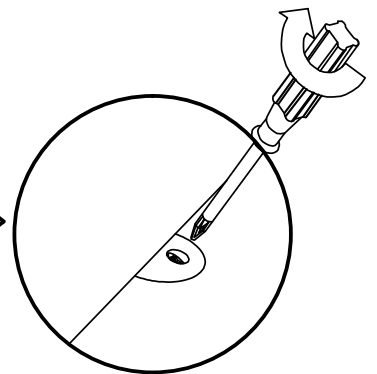
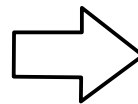
**Step 1**



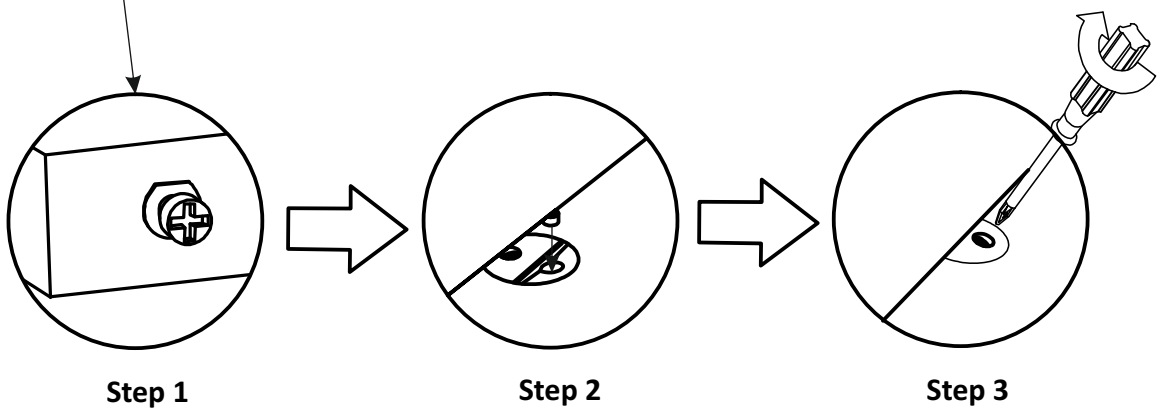
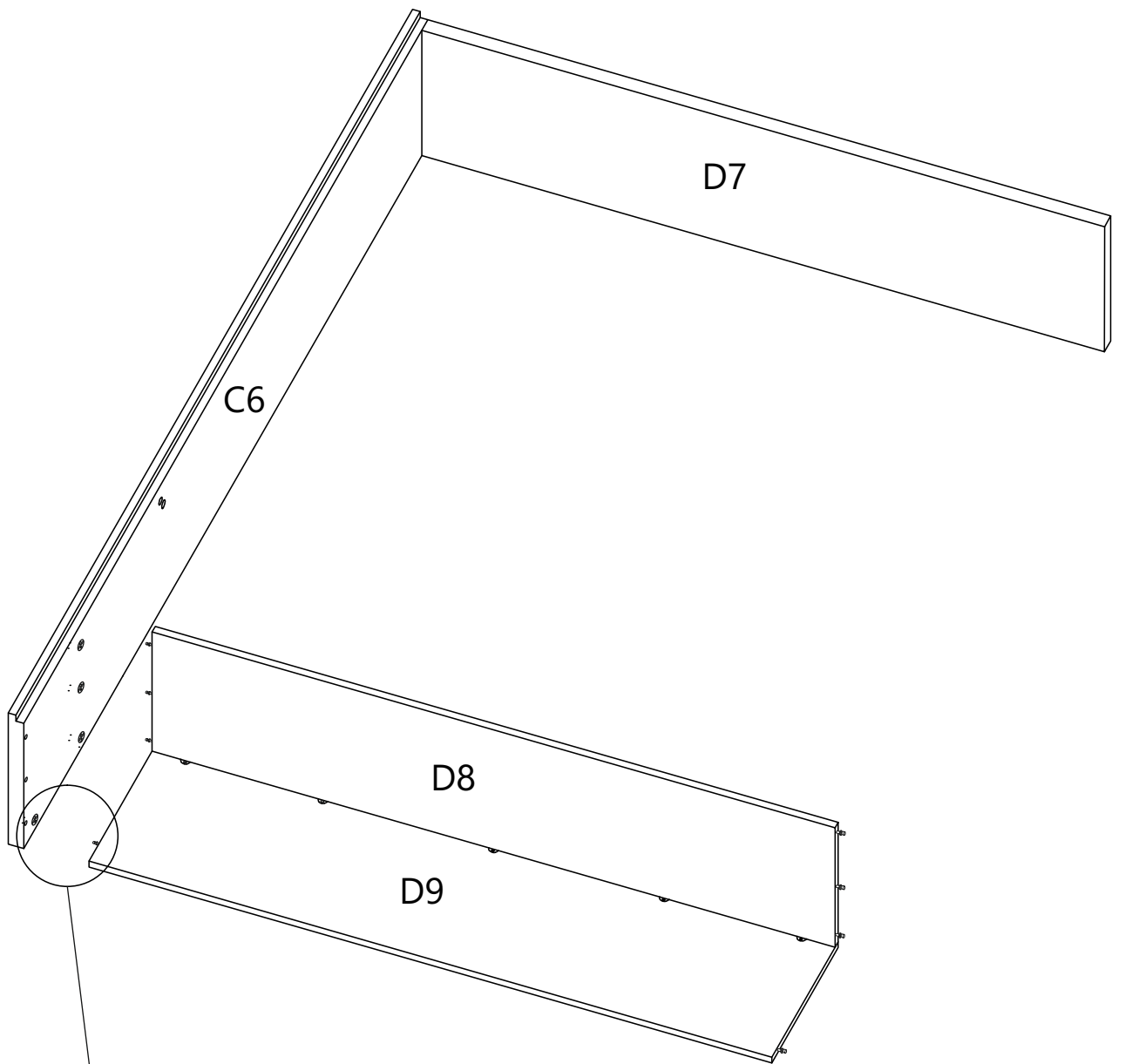
**Step 2**



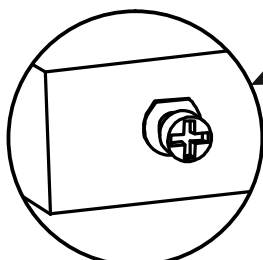
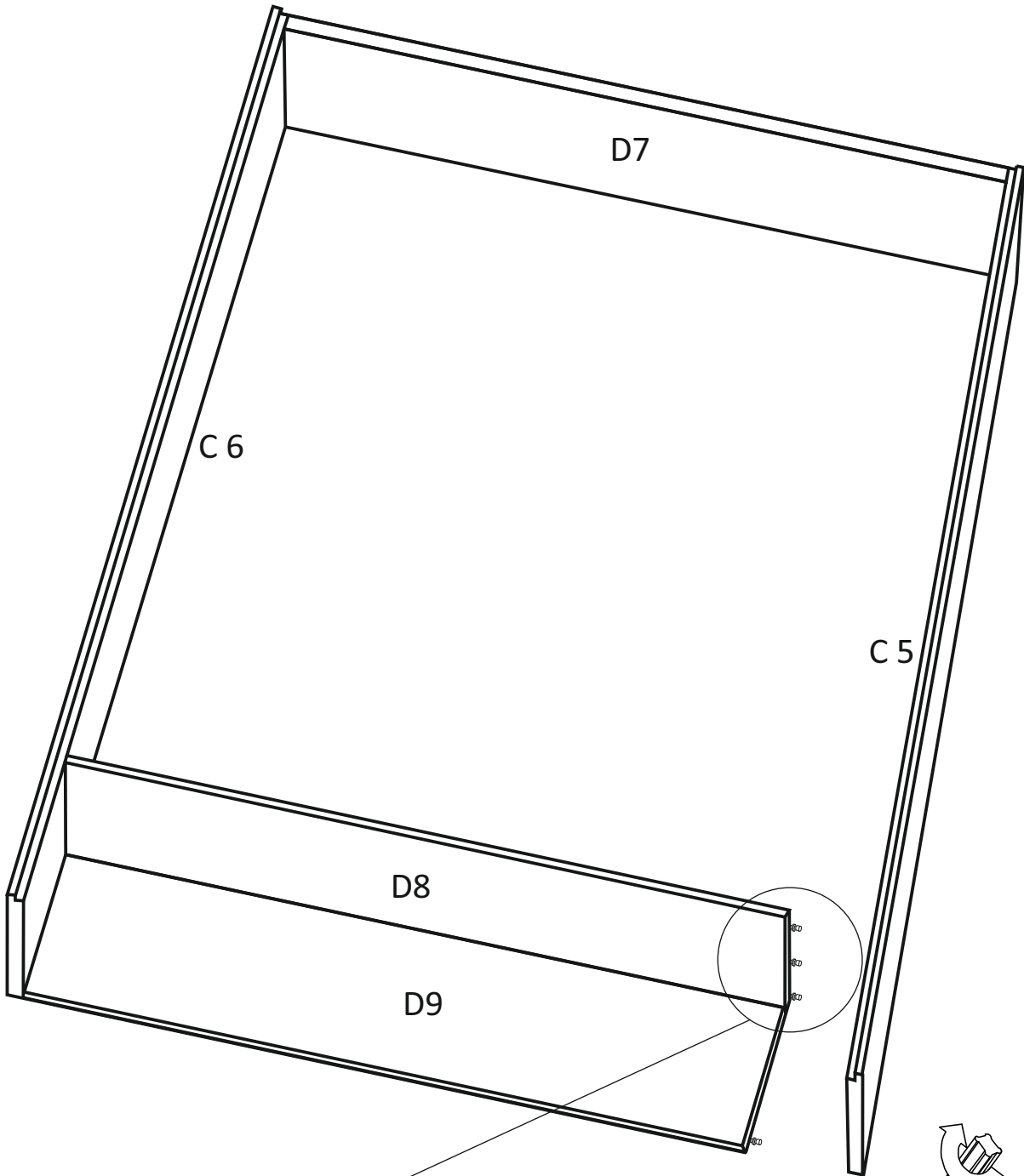
**Step 3**



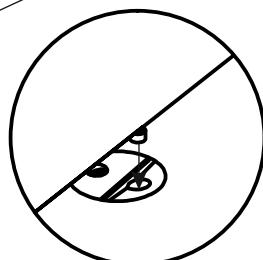
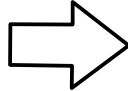
**Step 4**



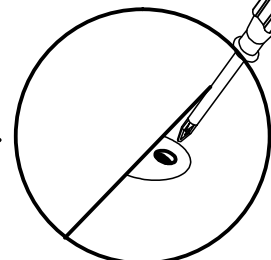
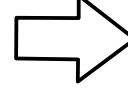




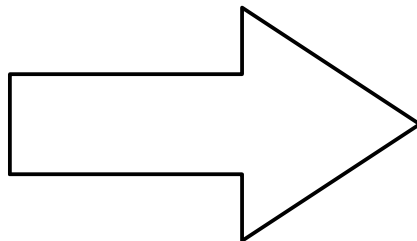
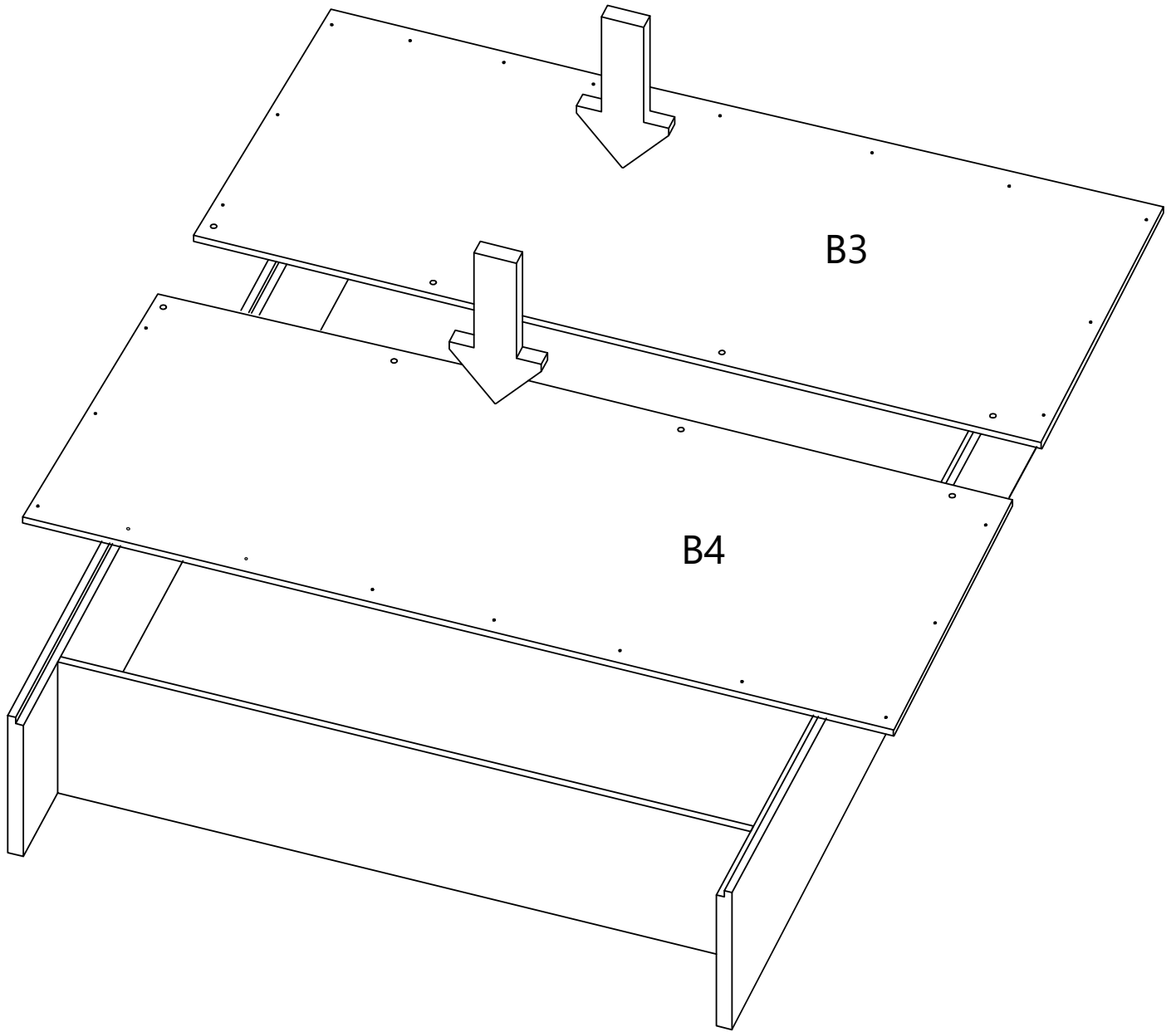
Step 1

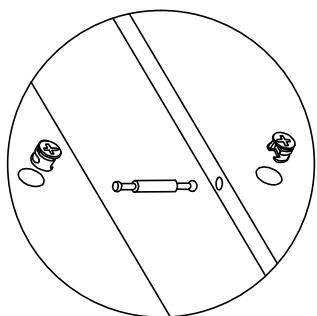
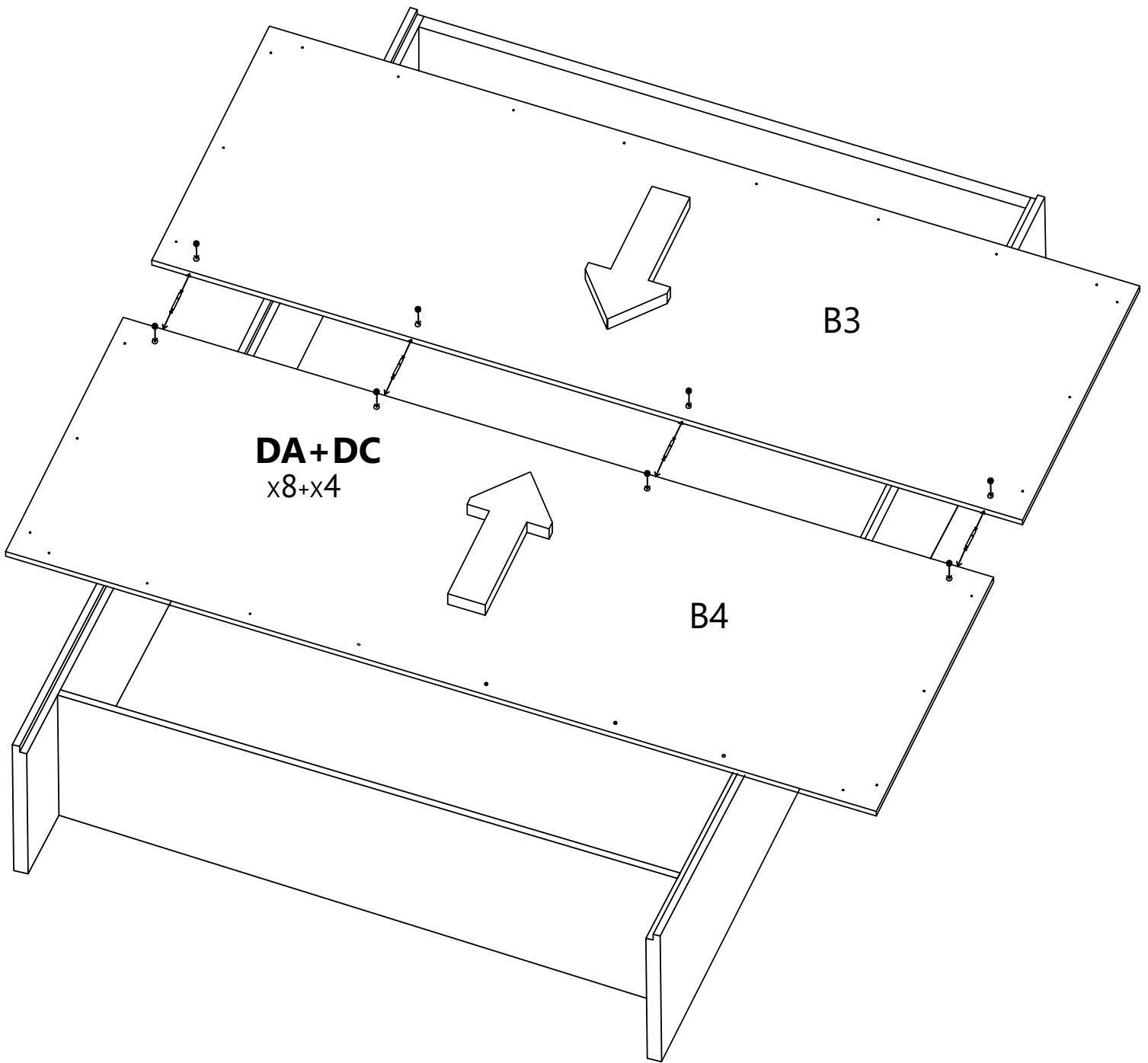


Step 2

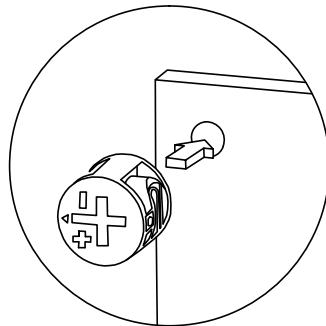
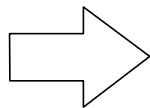


Step 3

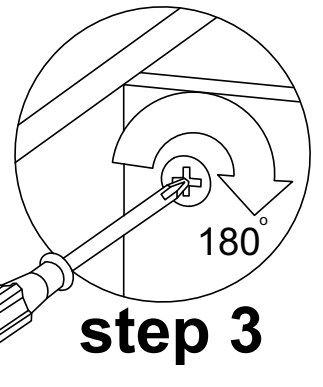
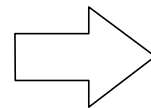




**step 1**

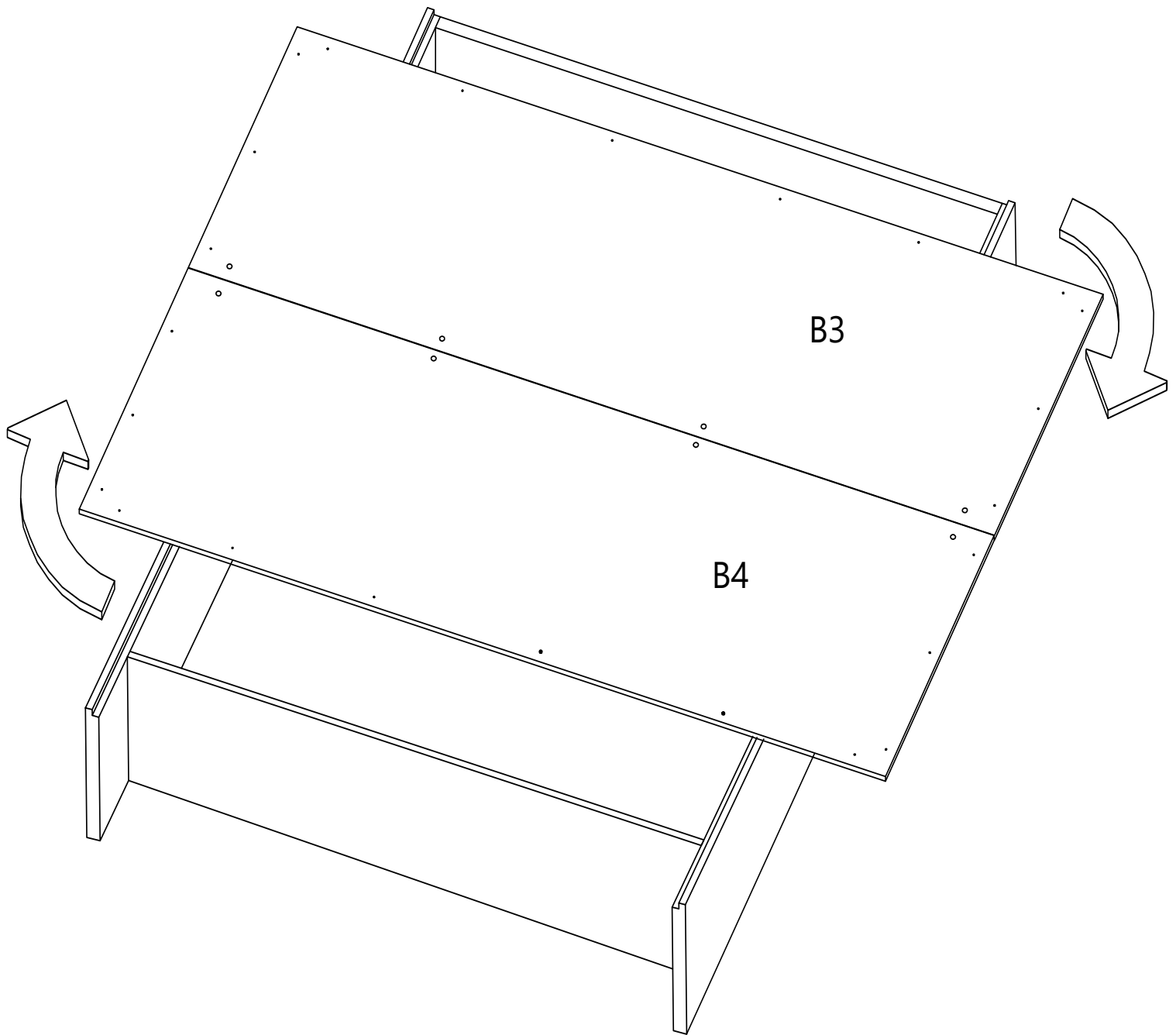


**step 2**

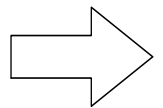


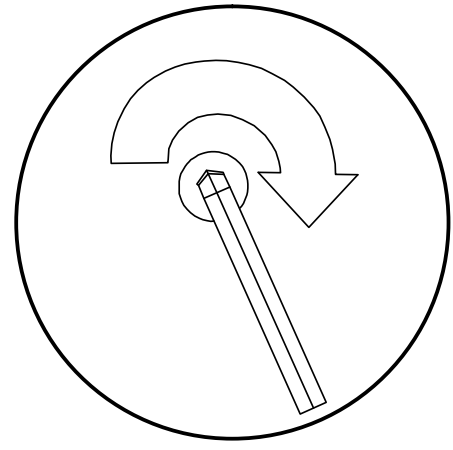
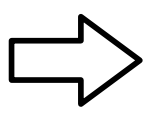
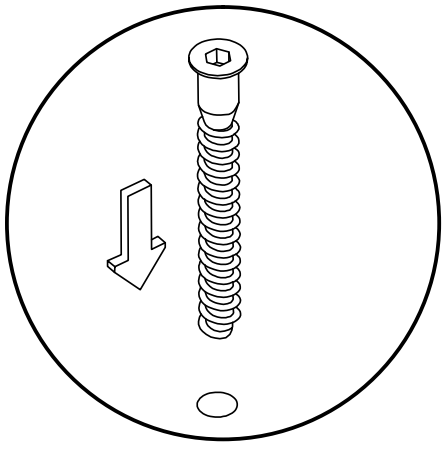
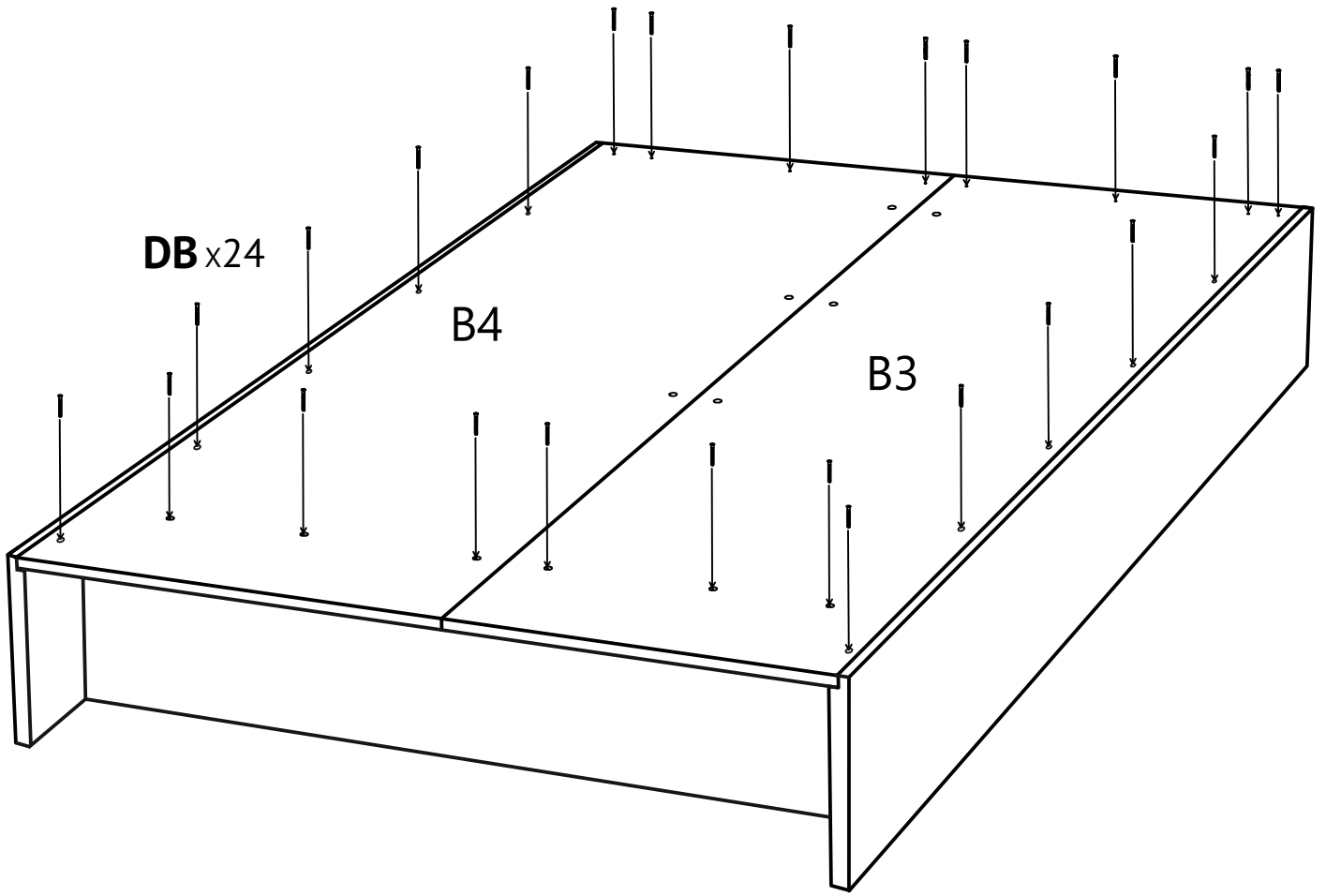
**step 3**

***We recommend you pick this up with at least 2 people, do not attempt this with 1 person as it is heavy***



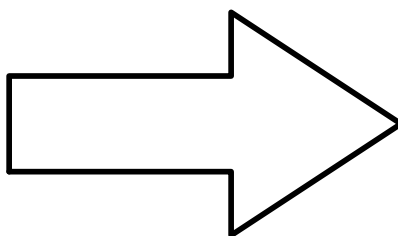
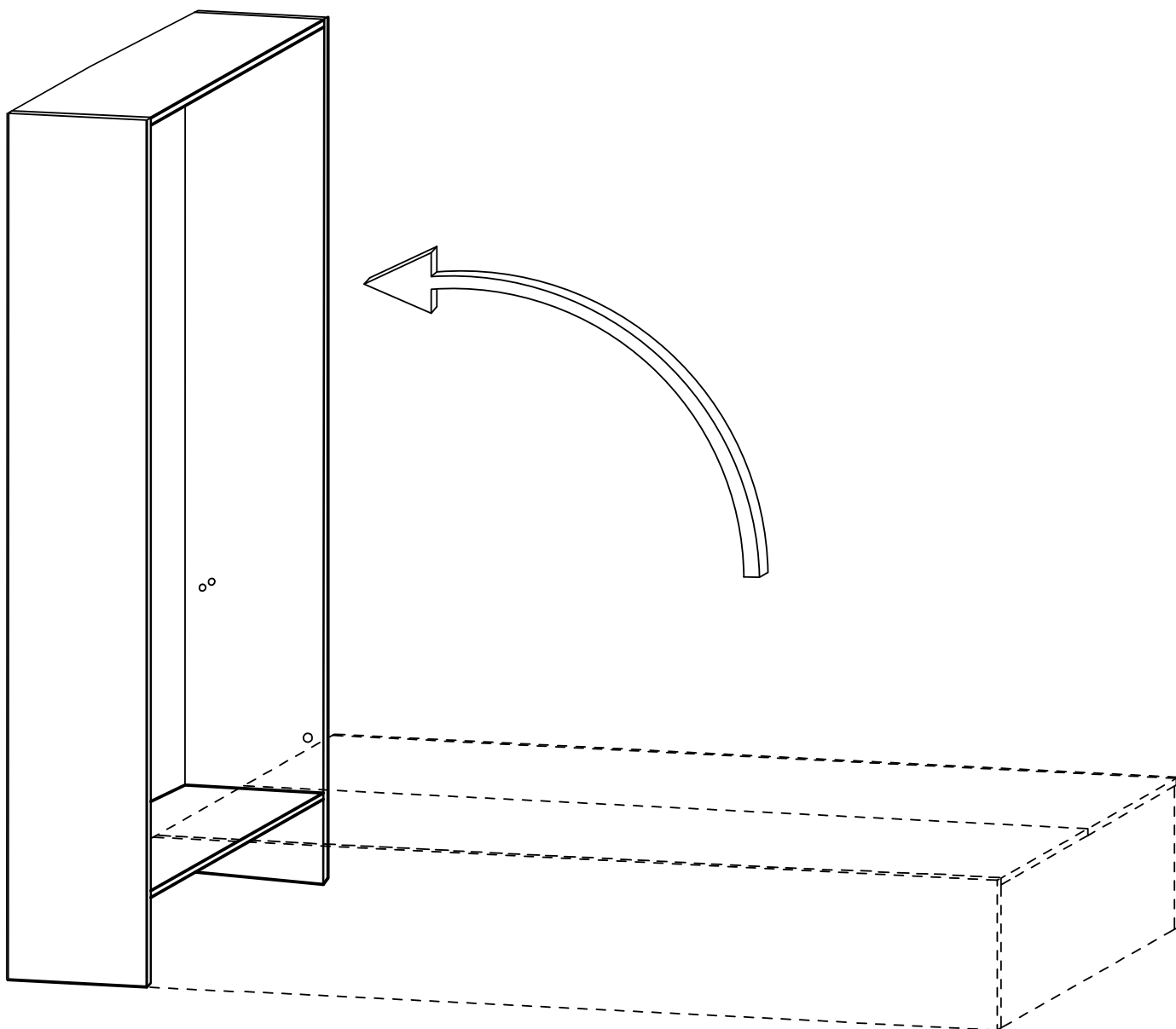
After Rotating: If you have trouble installing this part, or it feels too tight, try lift the middle of the connected b3/b4 panels which will help them fit in.





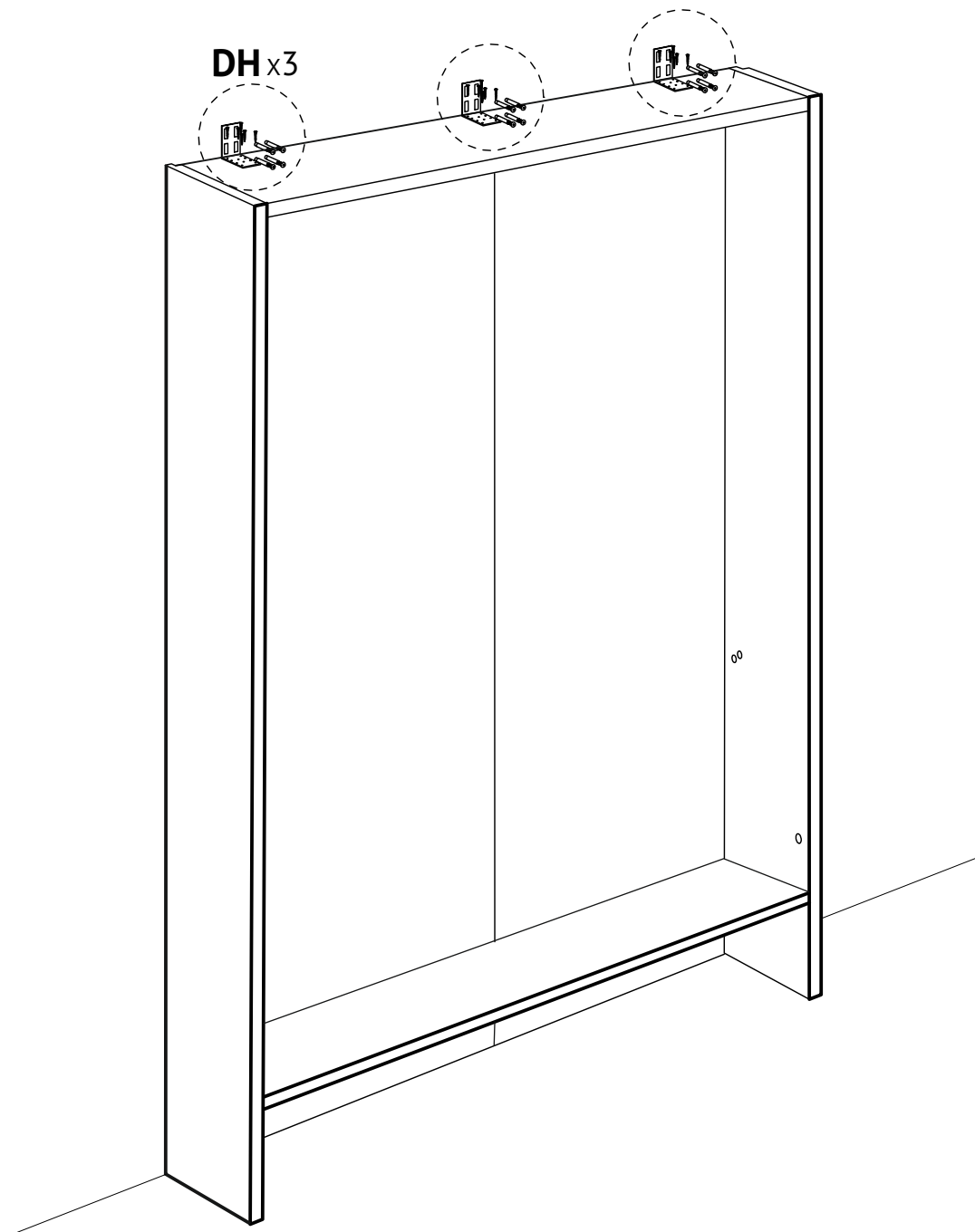
Make sure to evenly distribute these bolts around the bed until you have none left. You only need to install 3/4ths of these bolts. If you have trouble threading a hole, skip it and move to the next one

(you can try this again later if you have left overs, the more that are in, the easier it will be.)



Raise your bed, you should have at least 2 people lifting for safety.

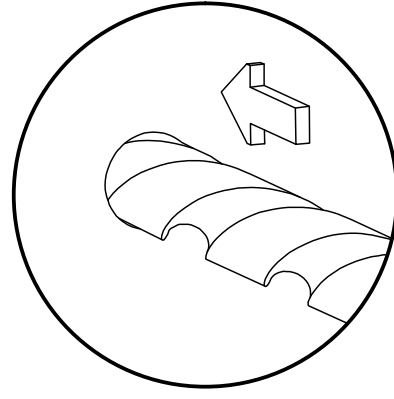
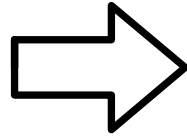
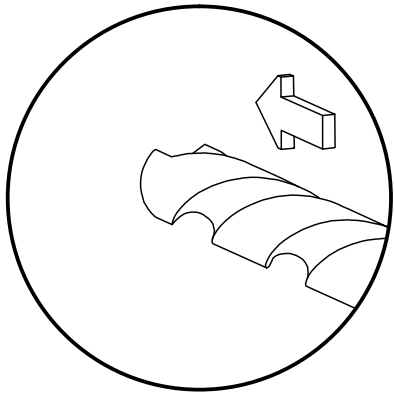
If you have cabinets, you can build them and place them now.



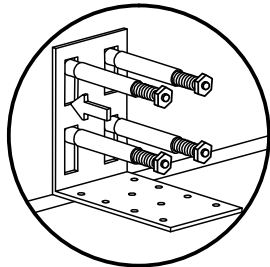
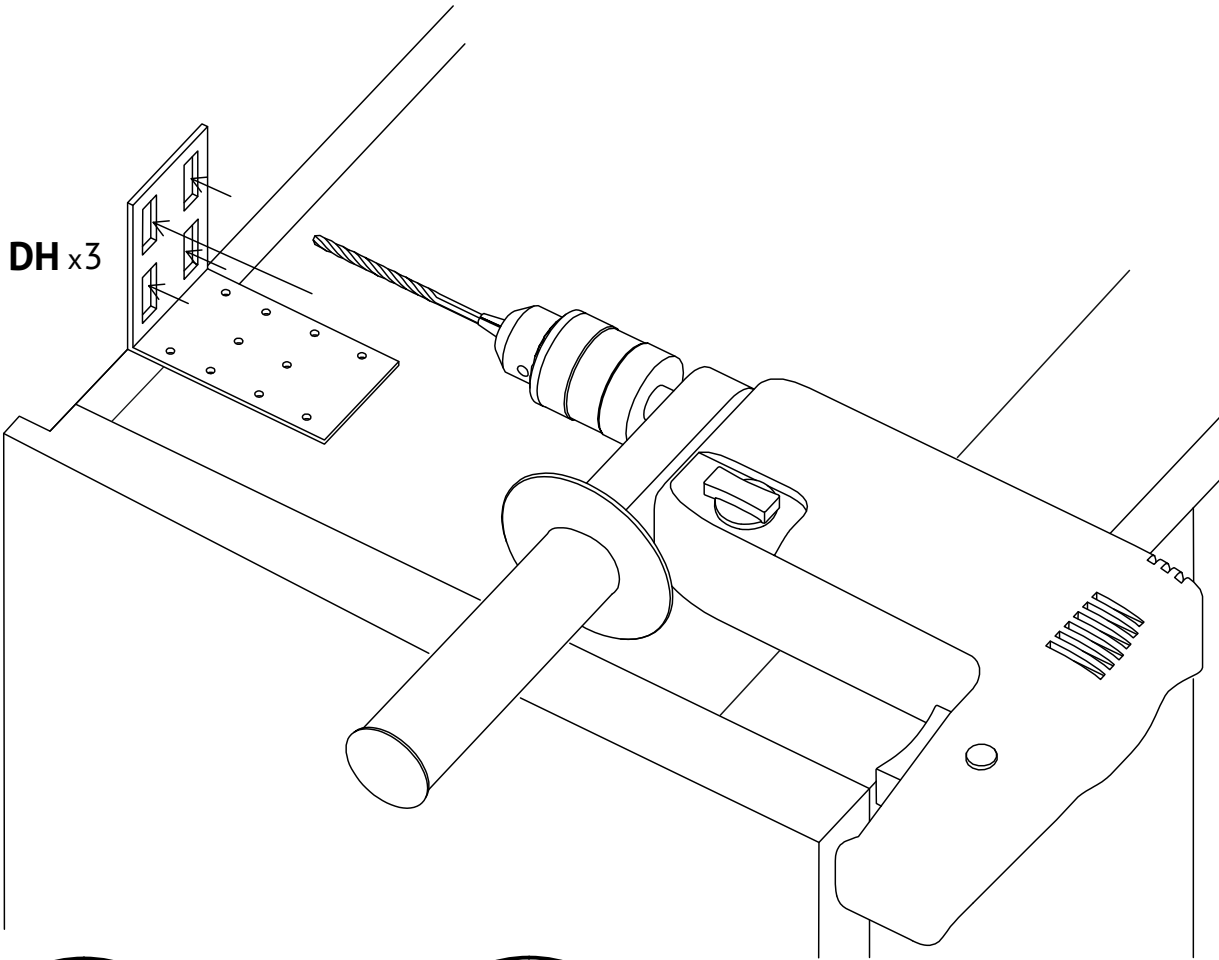
It is important to determine the type of wall you have, you should purchase anchors /fasteners appropriate for your wall.

We do not provide anchors because there are a variety of wall types from concrete, brick or drywall (with wood or steel studs) require different anchor types. You should buy heavy duty anchors that have a high weight capacity (100+ lbs per anchor) and are appropriate for your wall type. Please consult your local hardware store or handyman.

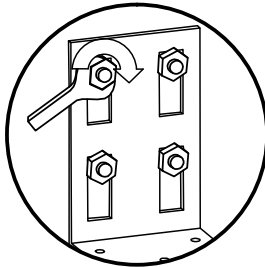
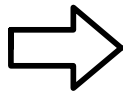
"We provide 3 brackets which allow for 4 anchors each. You can place them on left and right side of the bed. They are flexible so you can line them up with your studs (if you have drywall) where you place them. It is best to place them wider apart and evenly spaced. We strongly suggest adding a few more simple brackets with extra anchors in the middle for some added security"



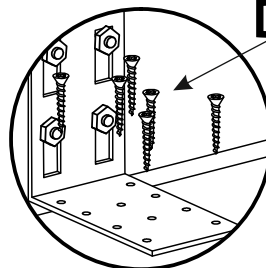
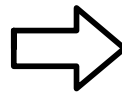
Drill holes



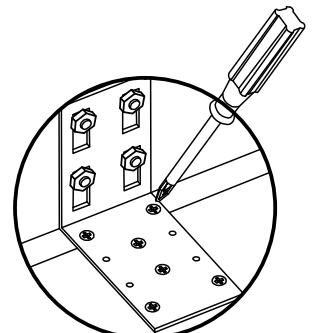
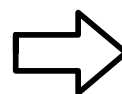
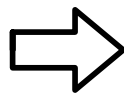
step 1



step 2

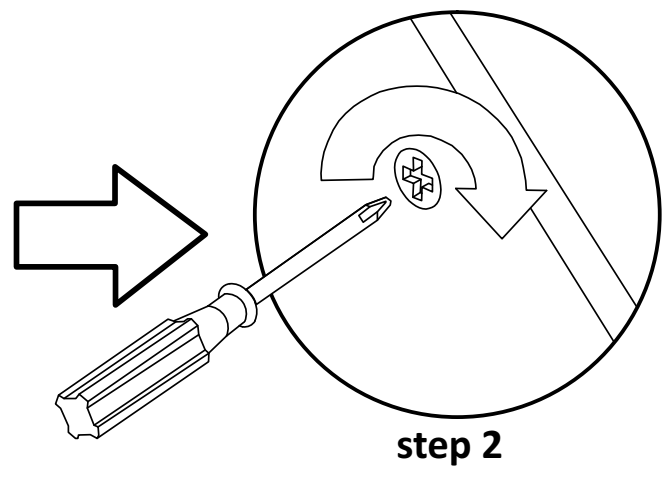
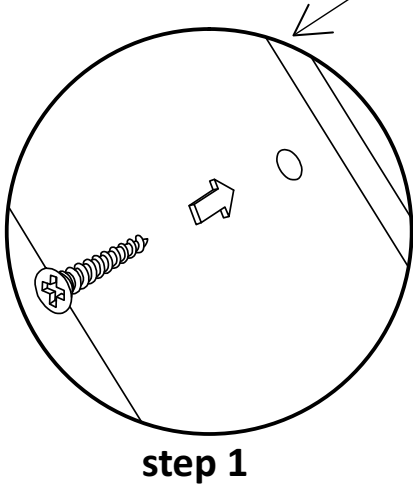
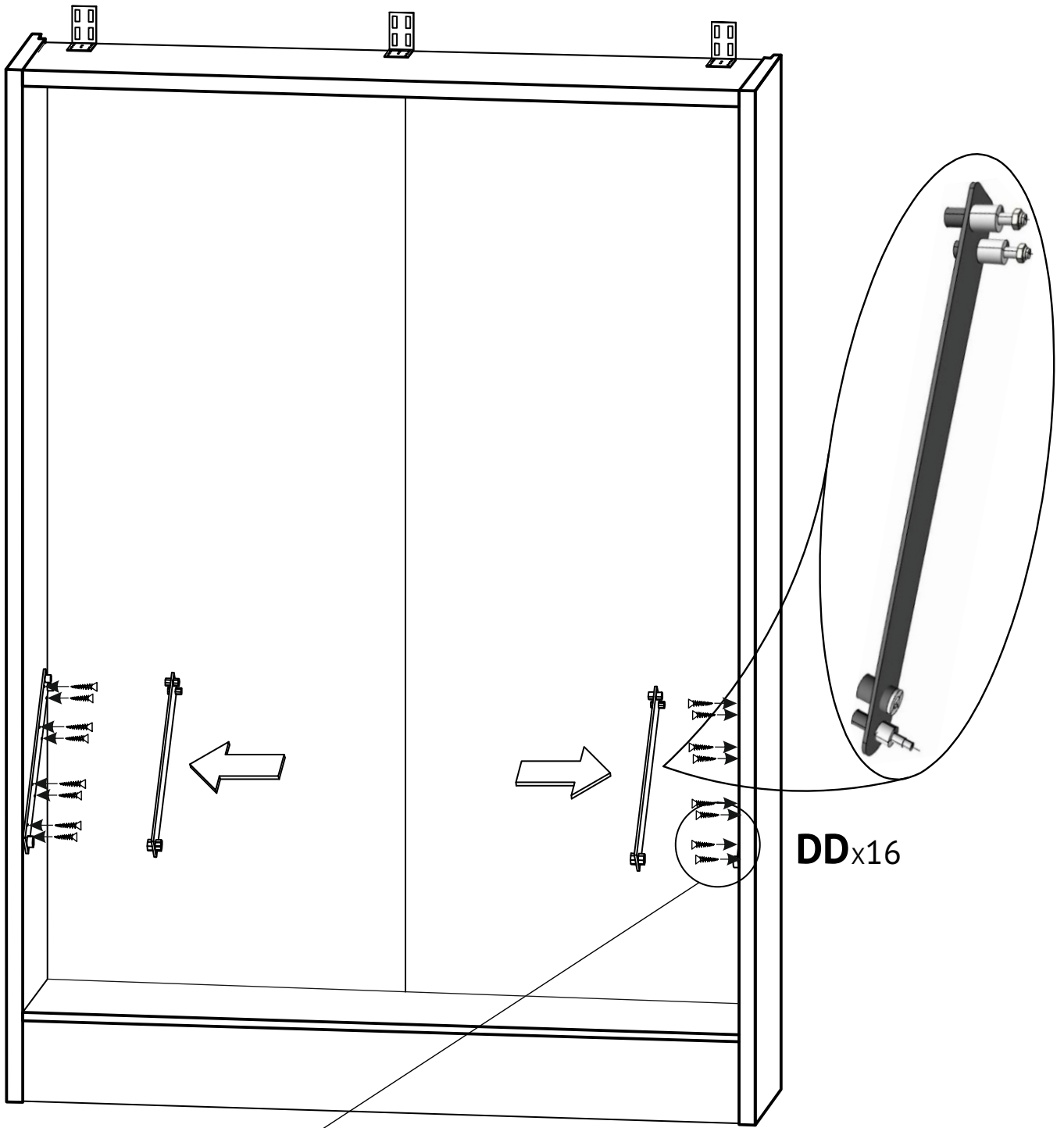


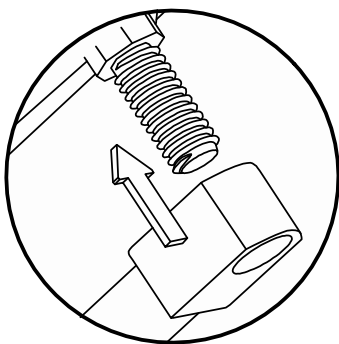
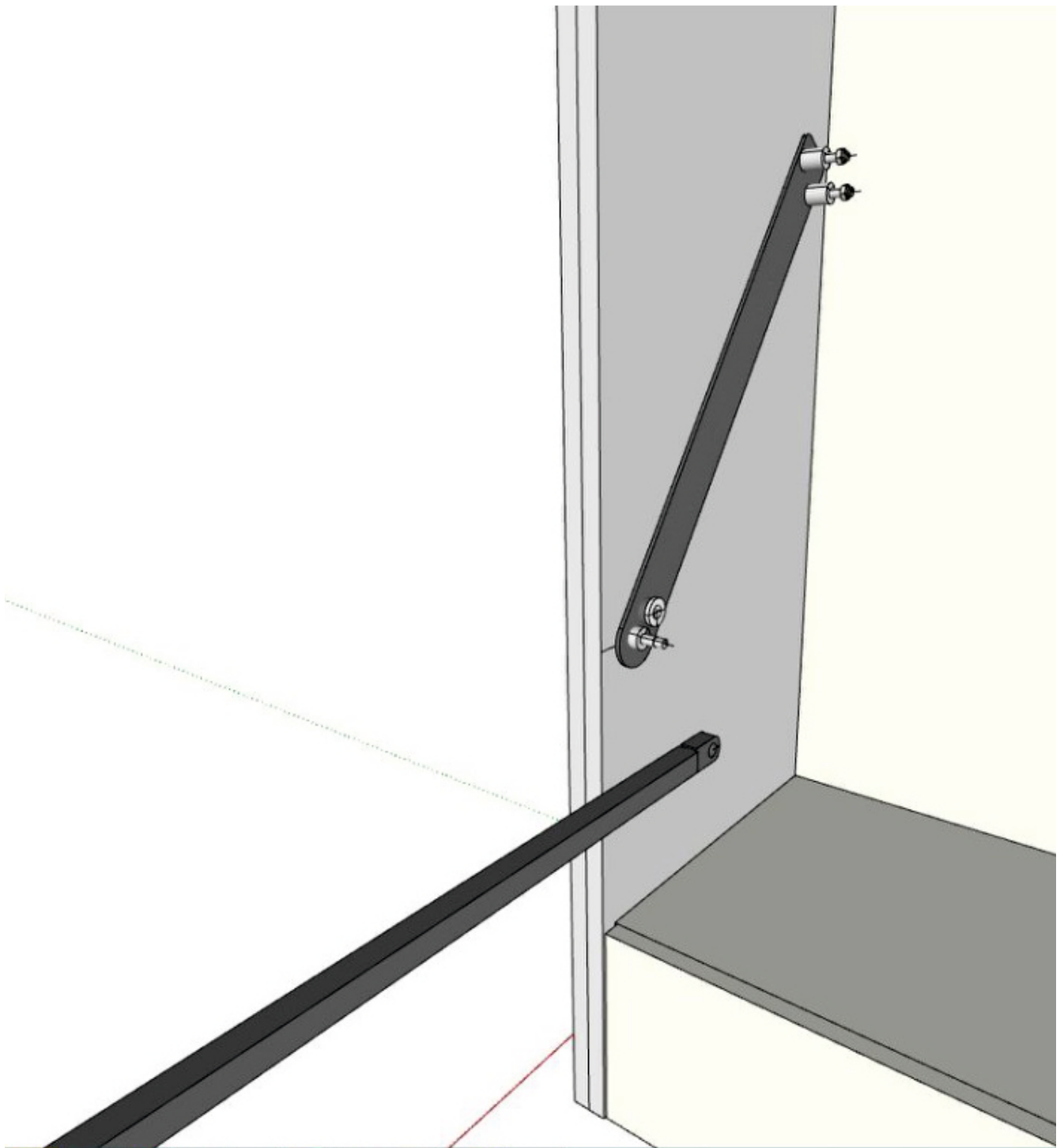
step 3



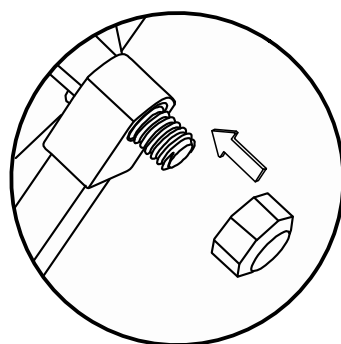
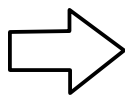
step 4



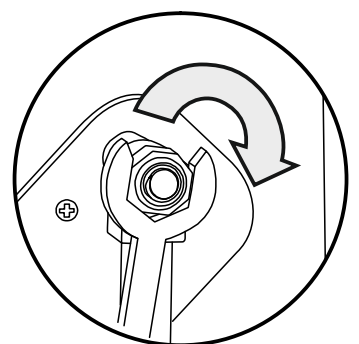
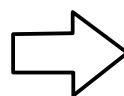




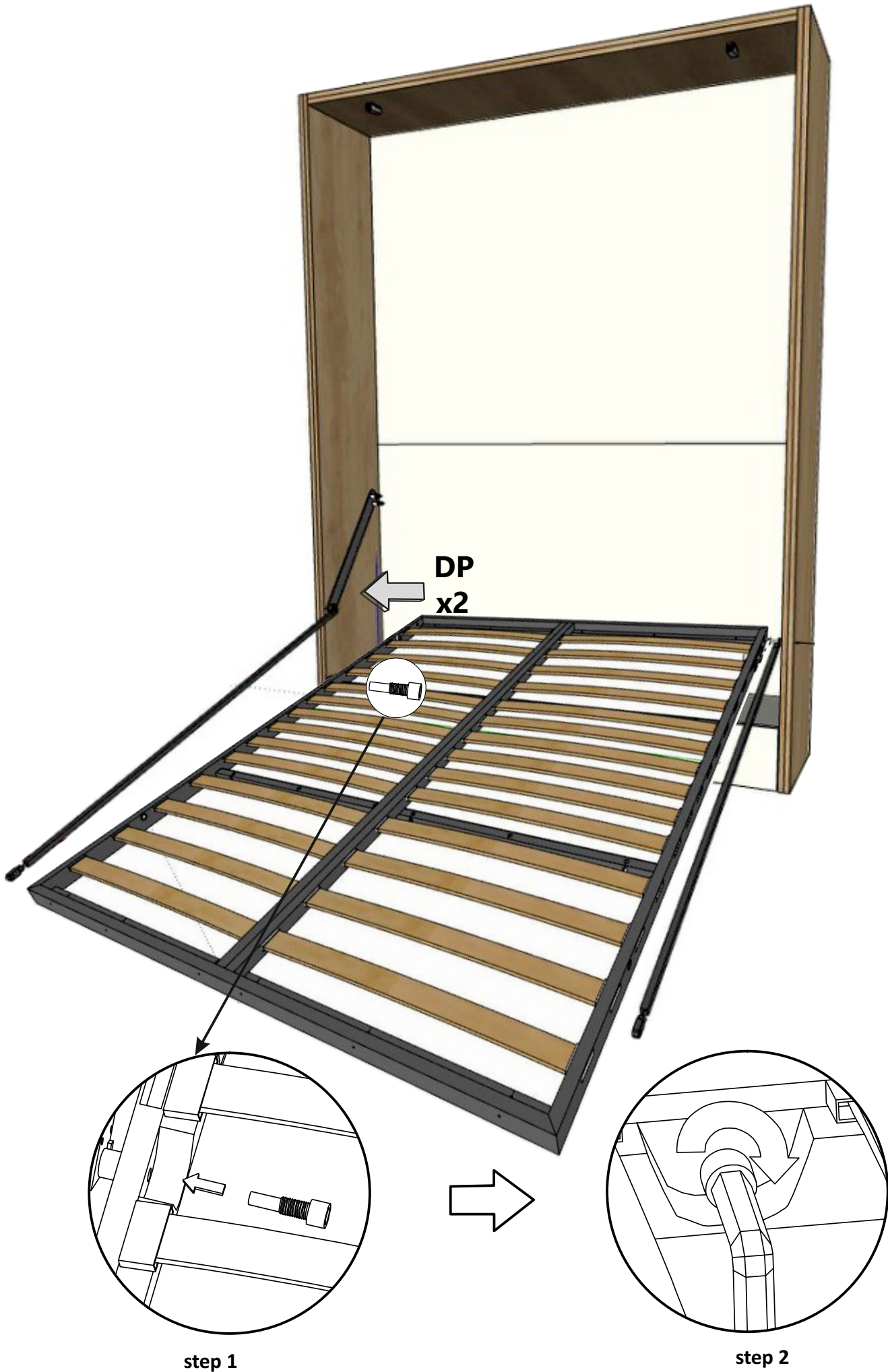
step 1

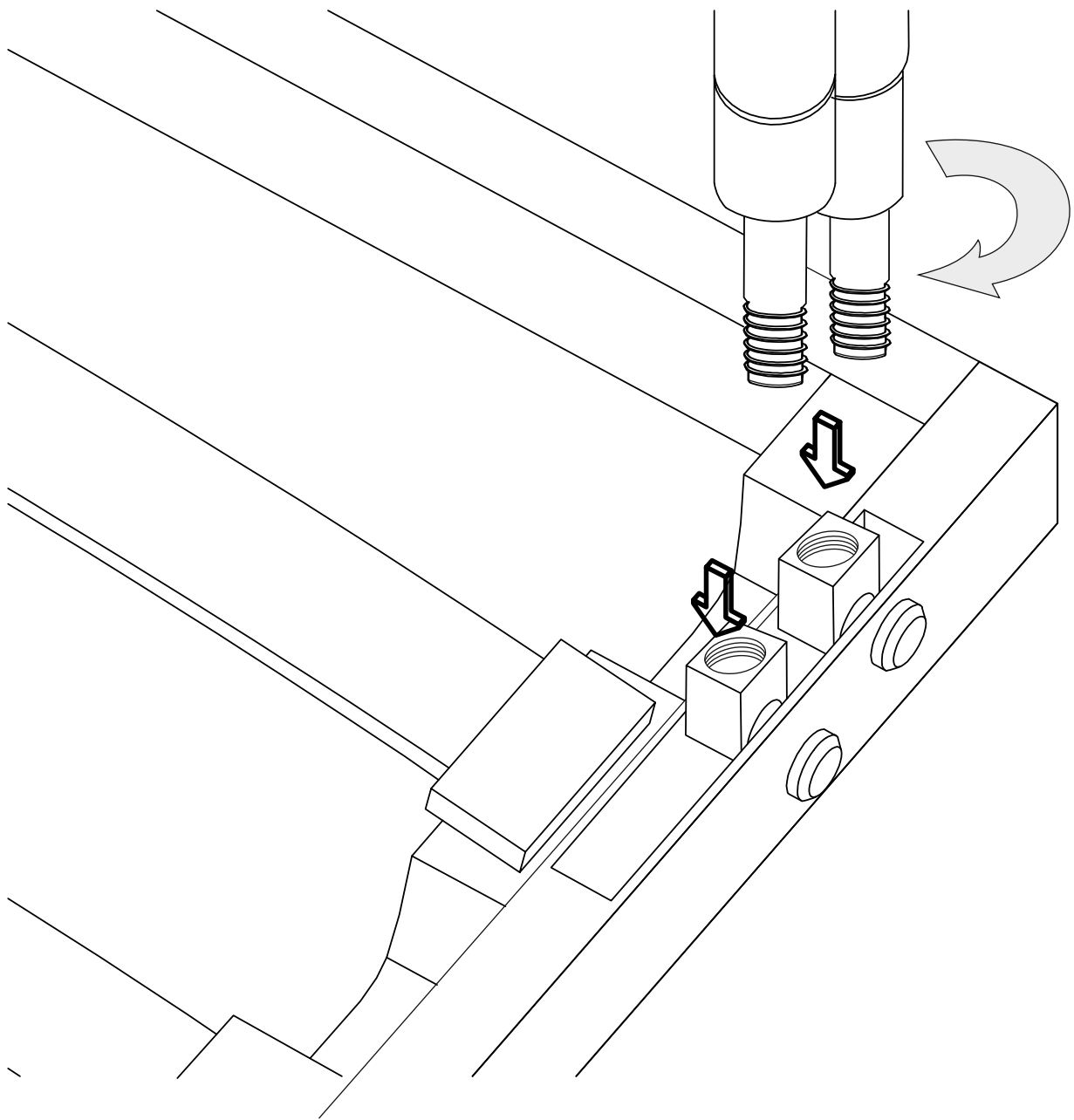


step 2



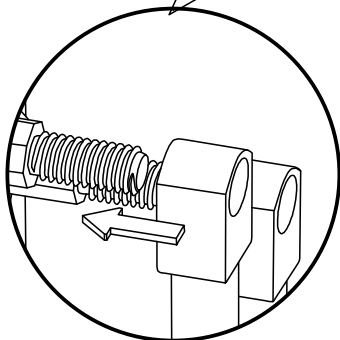
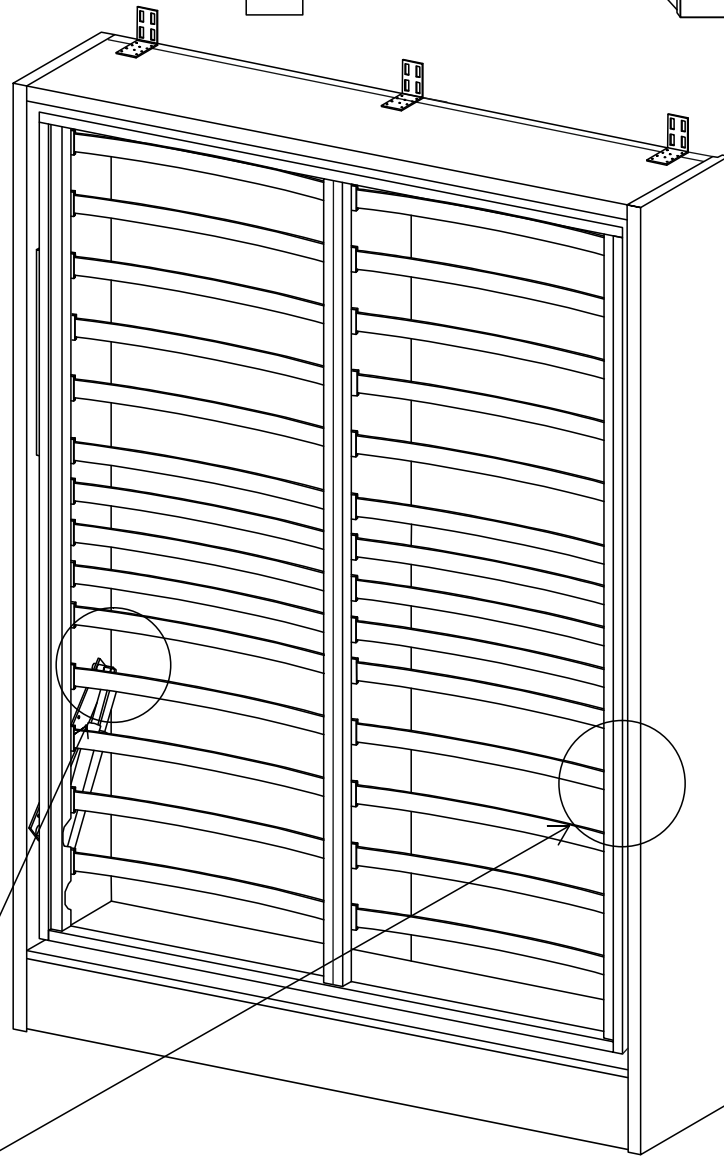
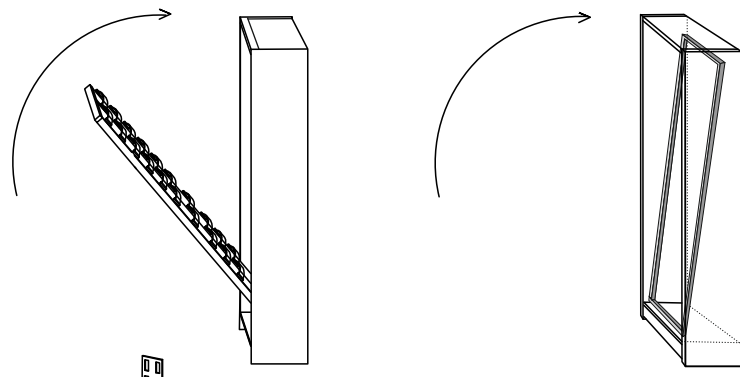
step 3



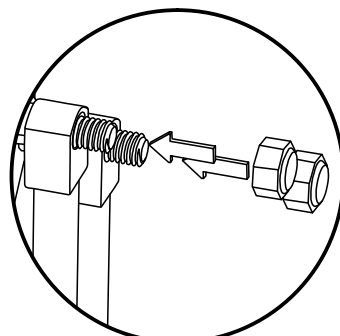
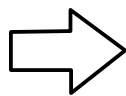


**DI+DK are preinserted**

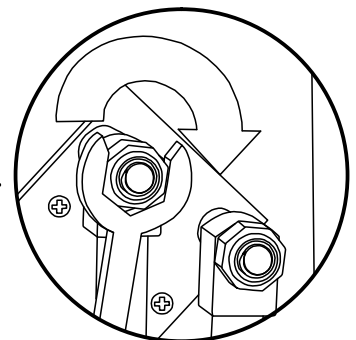
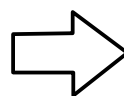
with the one side of the piston end cap already in the frame, so the piston can be rotated to connect



**step 1**



**step 2**



**step 3**

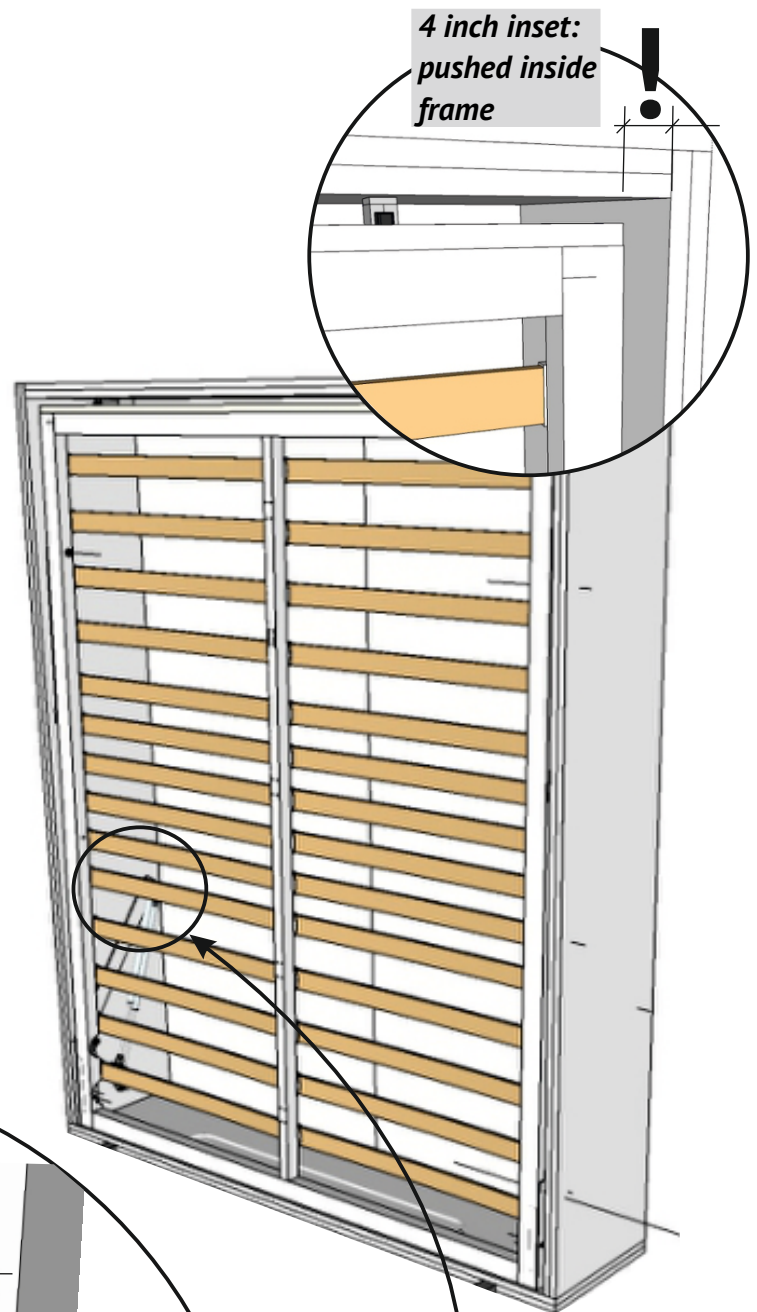
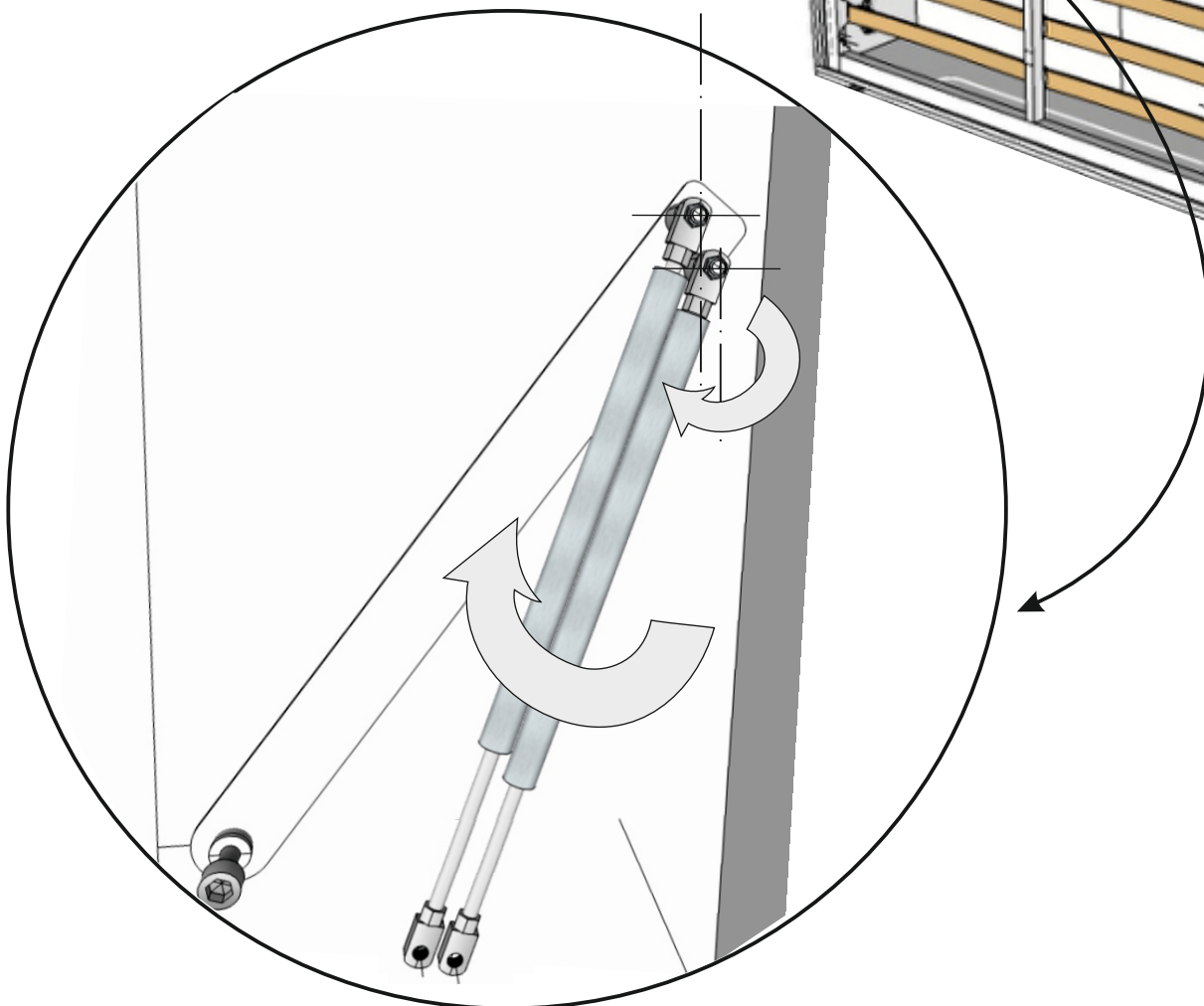
## **Piston install**

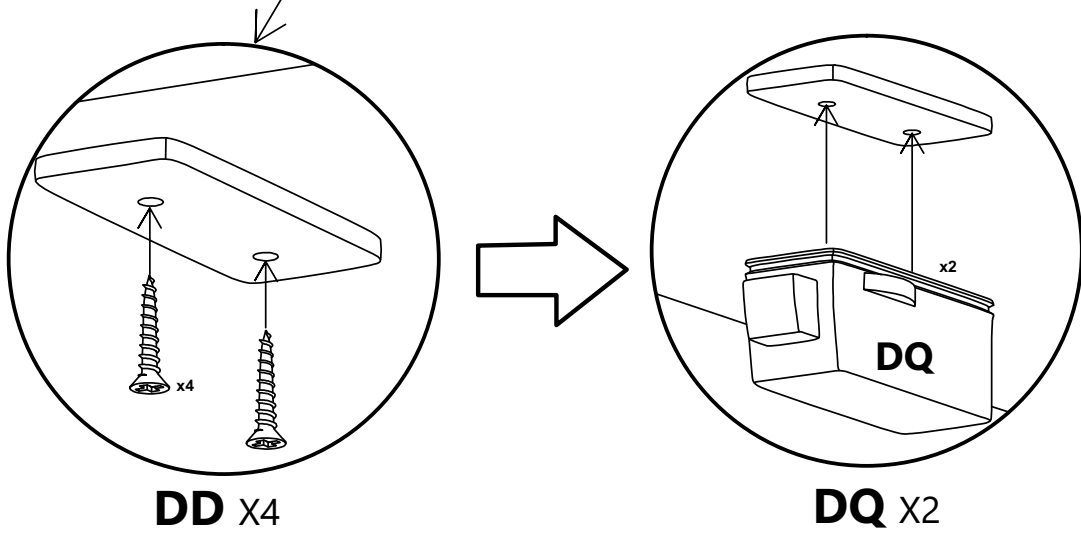
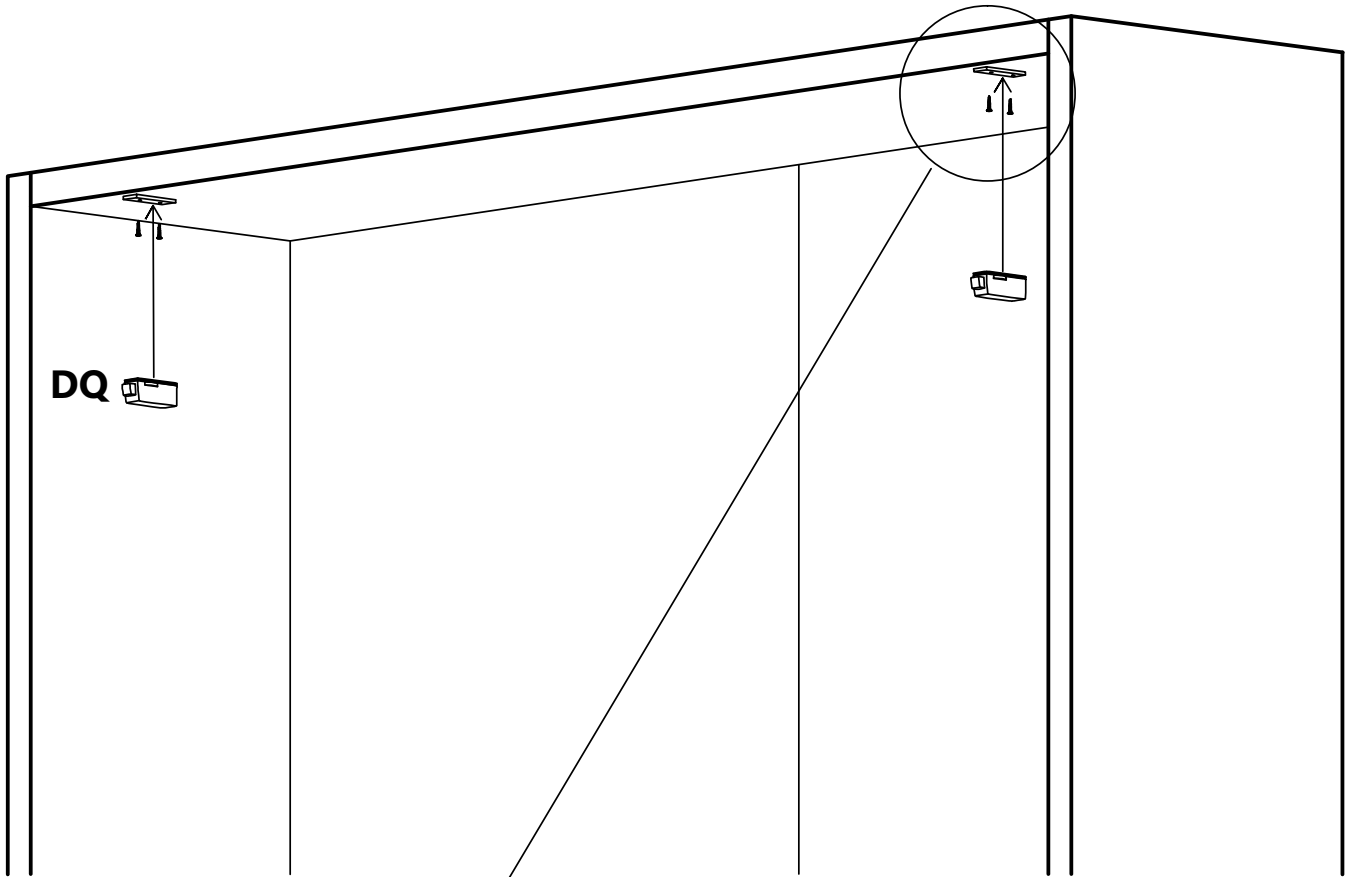
*The pistons do not compress by hand. They need to be placed fully extended into the bed after the frame is set in the correct position.*

*When you install this Gas Piston make sure you push the bed frame inwards, beyond flush, so that it is inset at least 4 inches. This creates inwards pressure. Don't worry, later you will add on a stopper to the top of the bed and the face panel will be flush.*

*Once the bed is set at the right position (4 inches pushed inwards at the top) you can attach the pistons to the sides. The top caps can rotate in either direction to elongate or contract slightly so that you can make them fit at the correct inset position.*

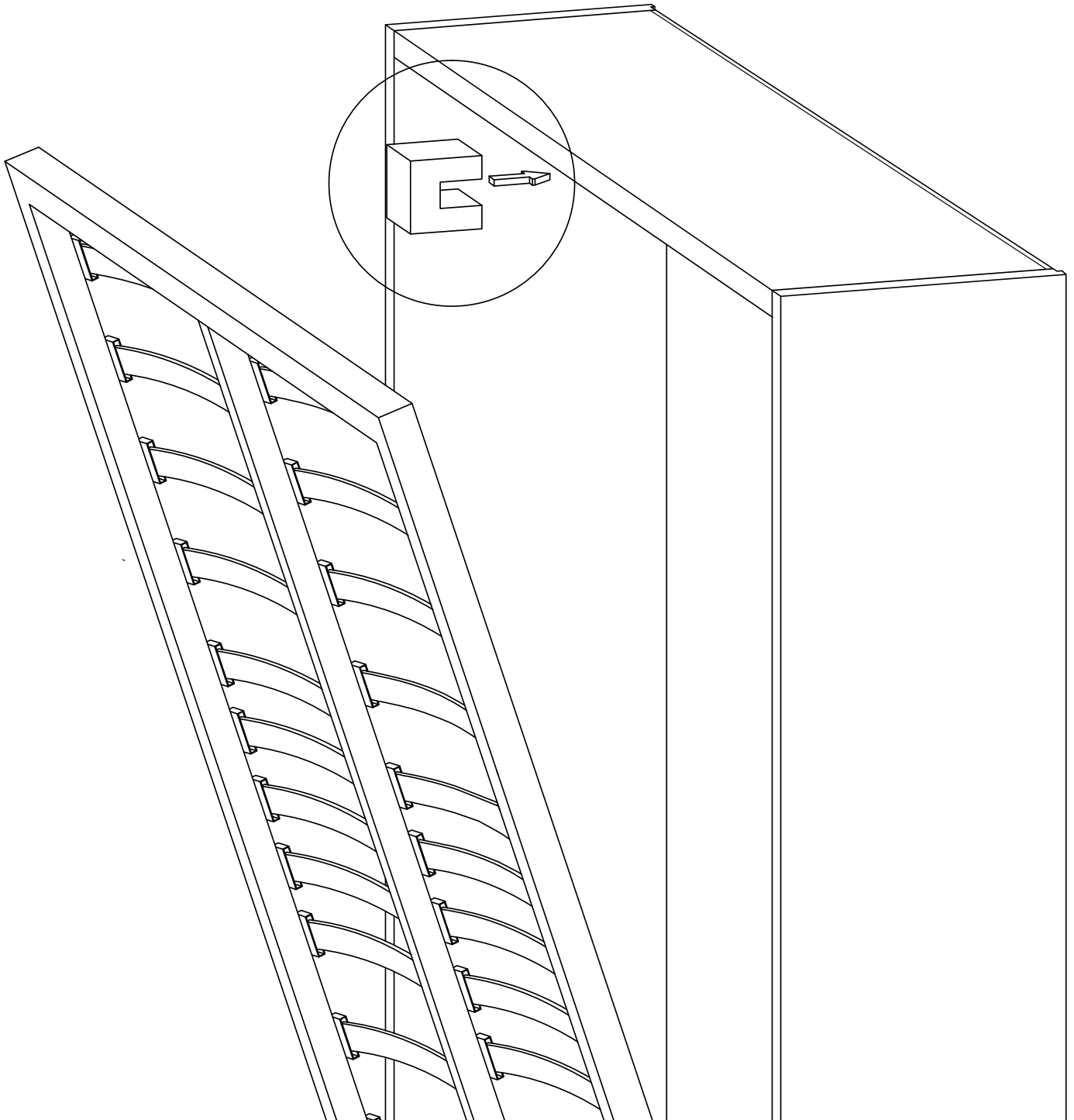
*We have an online video guide for this sent by email you can watch.*



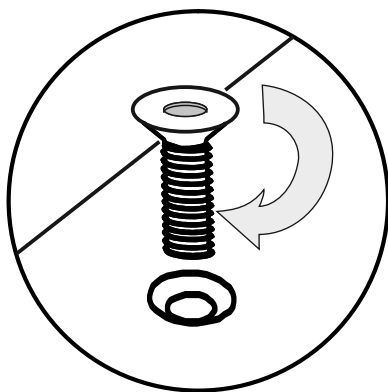
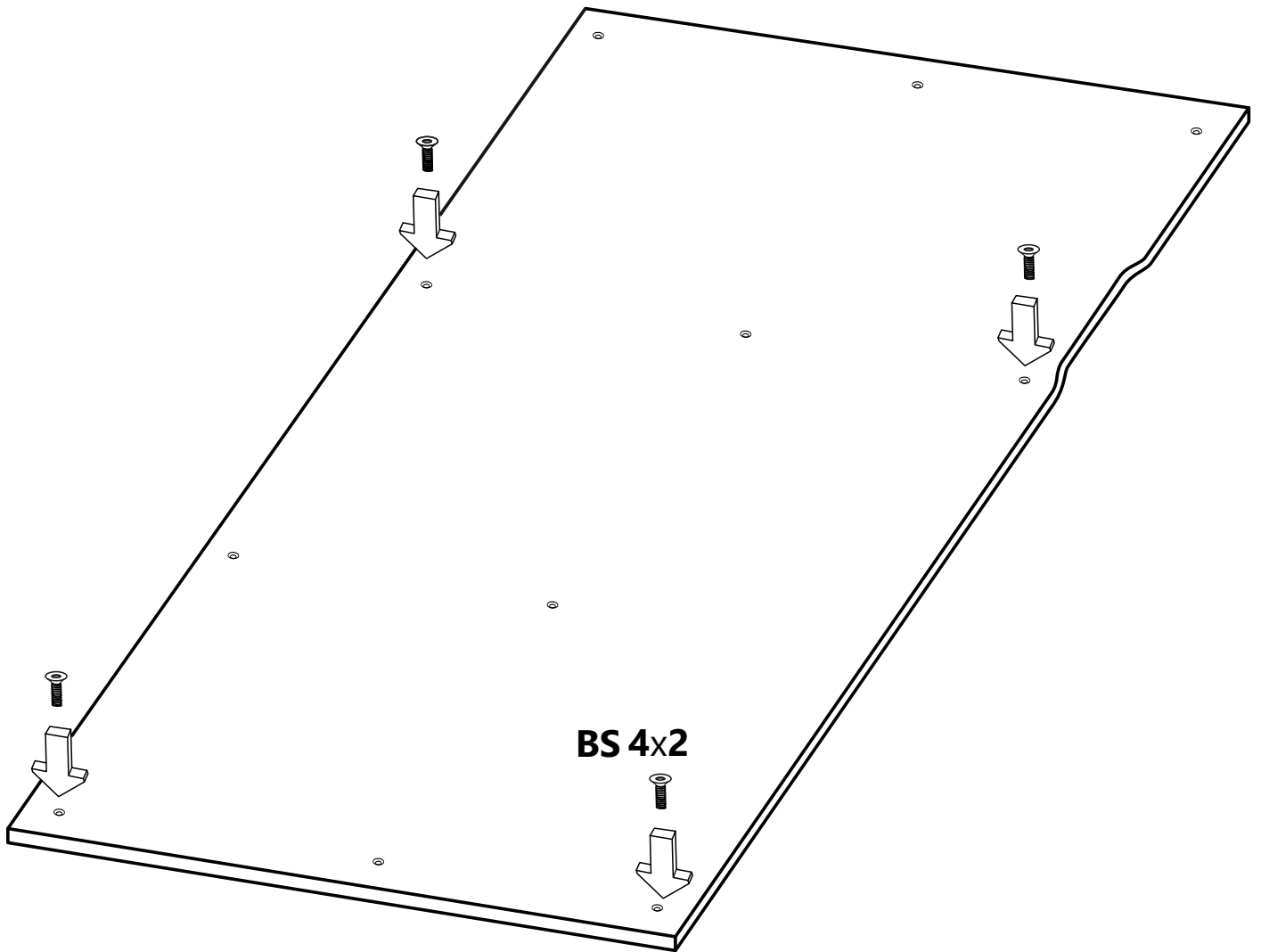


There is a Styrofoam part like this in the box.

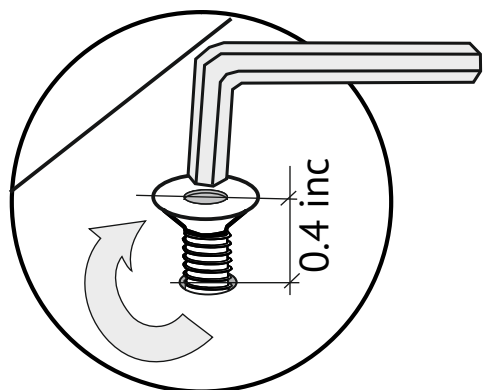
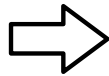
If you lost it or don't have it, use something soft to insert at the top to keep it slightly open. A cushion works well.







**step 1**

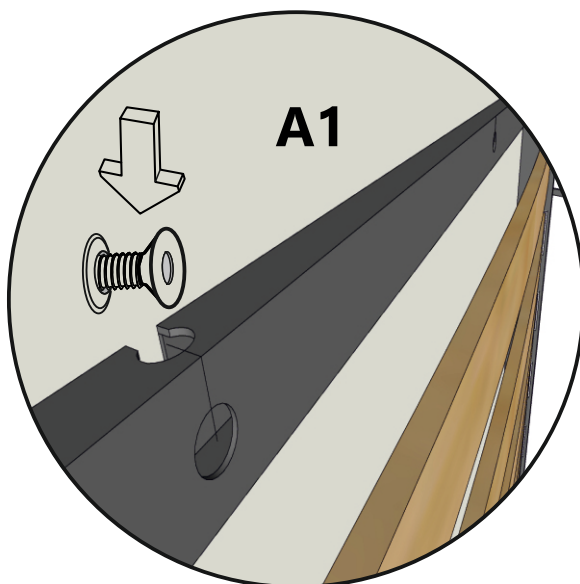
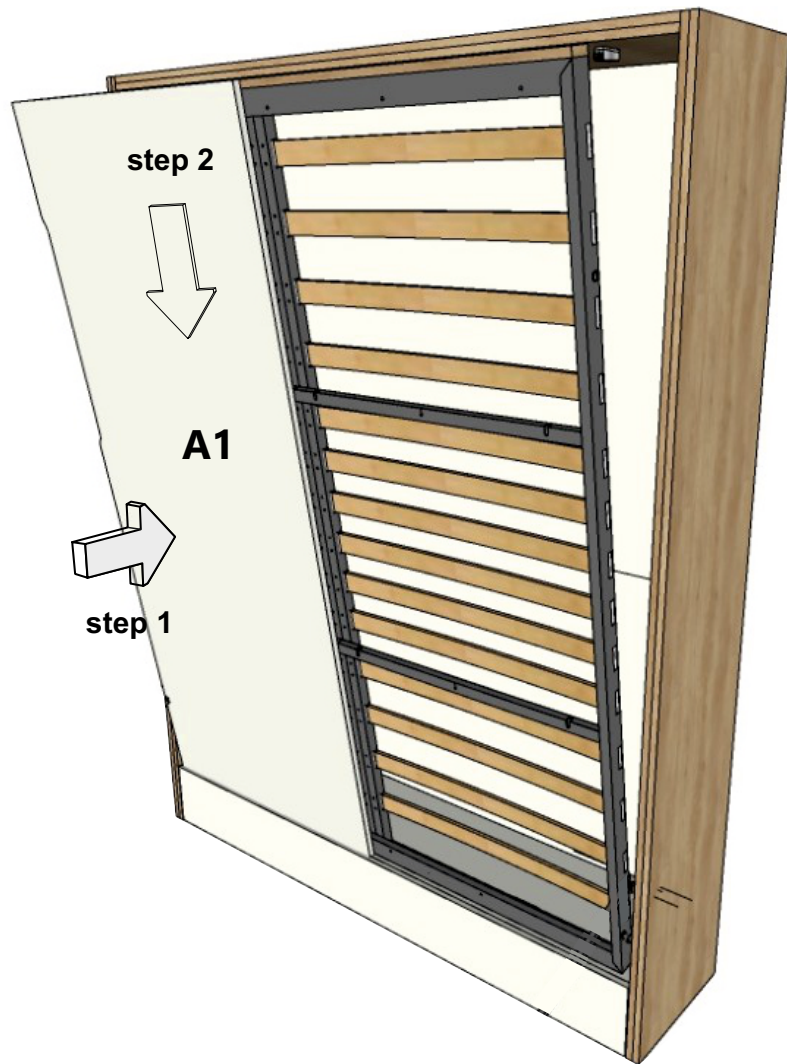


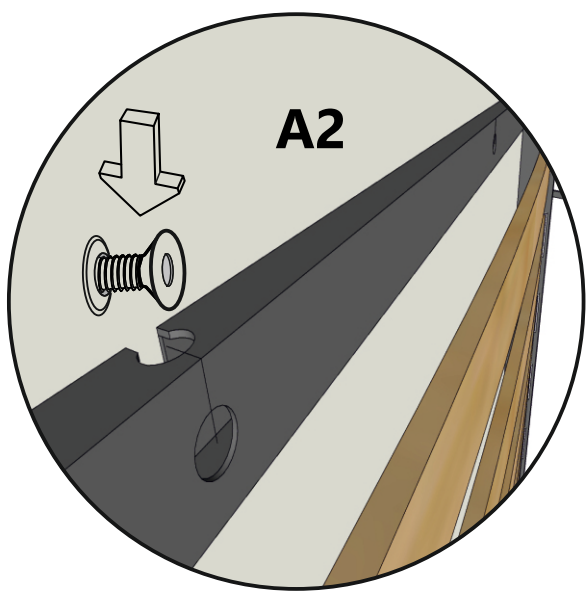
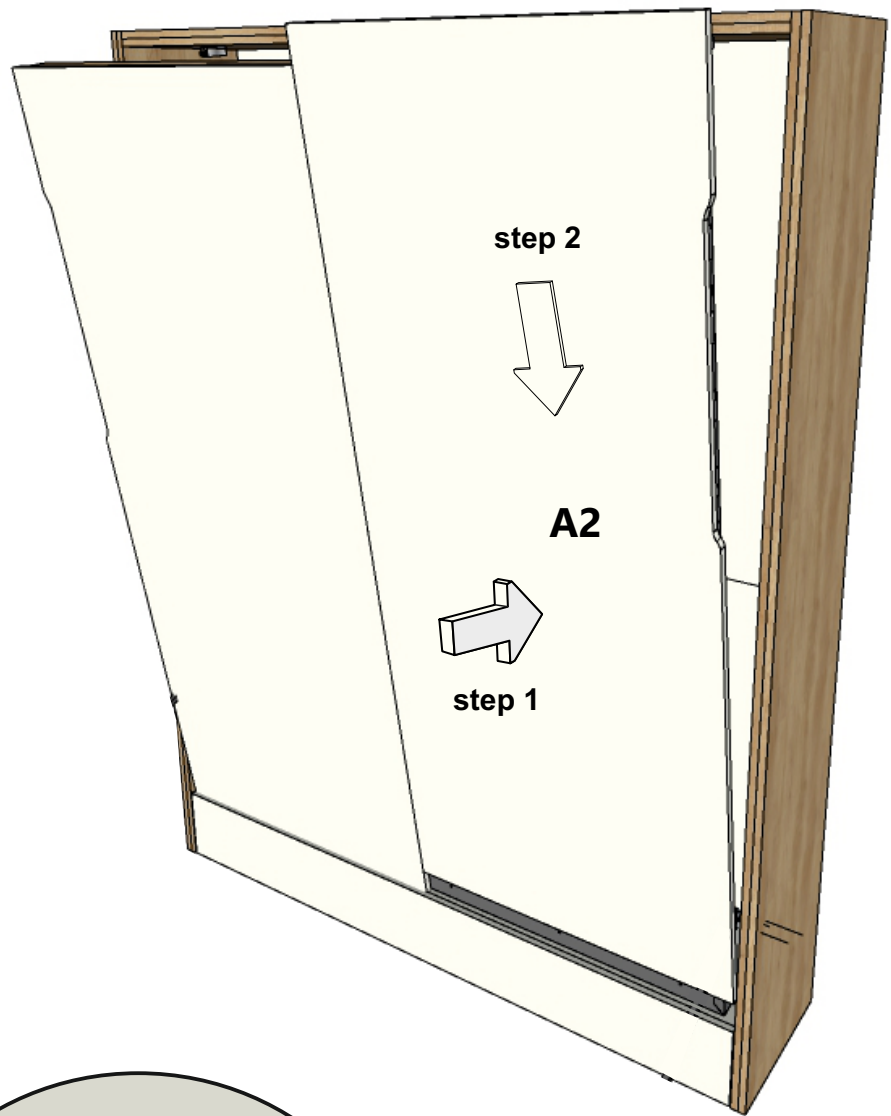
**step 2**

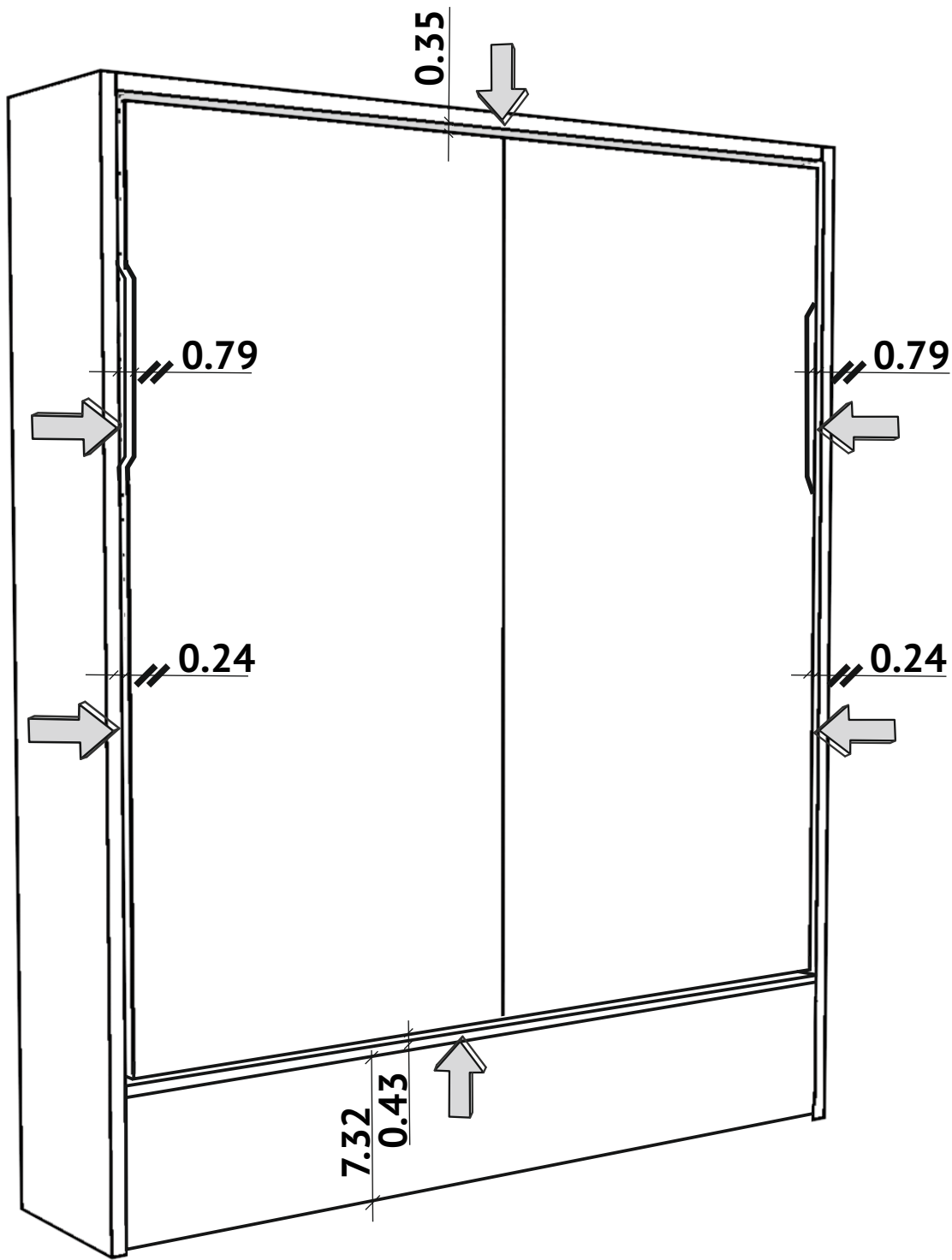
**VERY IMPORTANT** Do not screw the bolts all the way in or you will damage the face panel on the other side. You only need a few turns and leave a gap.  
DO NOT SCREW ALL THE WAY IN!

Carefully connect BS bolts 4x in each panel in these exact positions, make sure to use the BS bolts and do not by mistake use the BL bolts.  
If you use the BL bolts this will result in damage as they are too long for this connection»

We suggest installing the face panel with 2 people. 1 Face panel at a time.



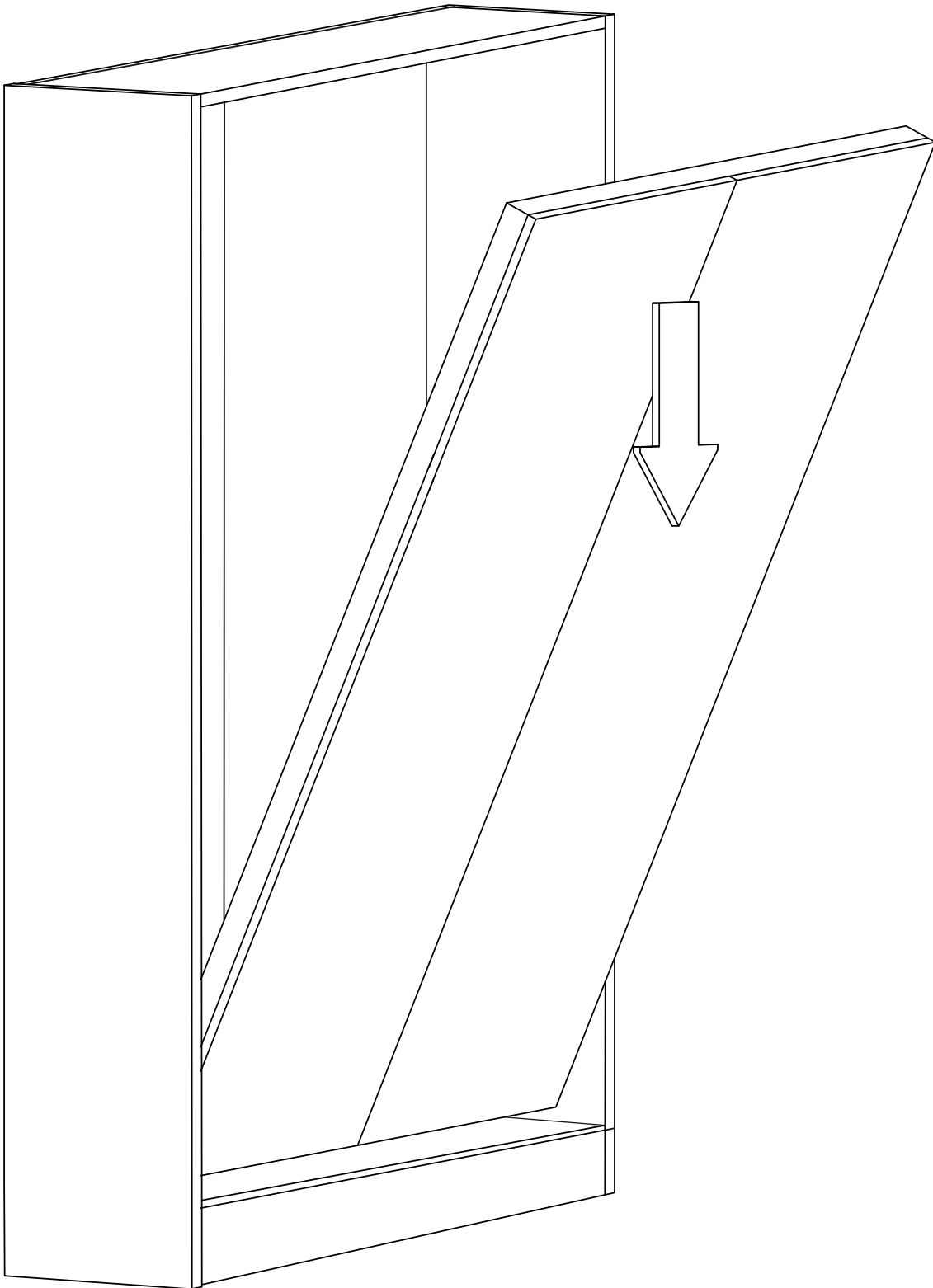




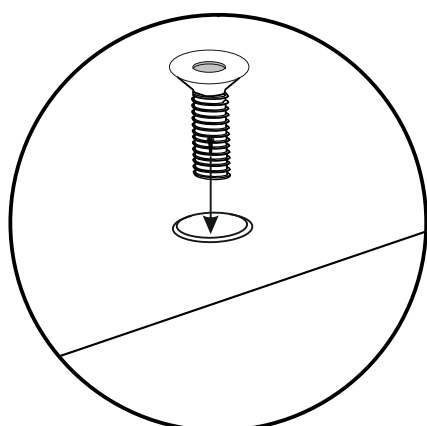
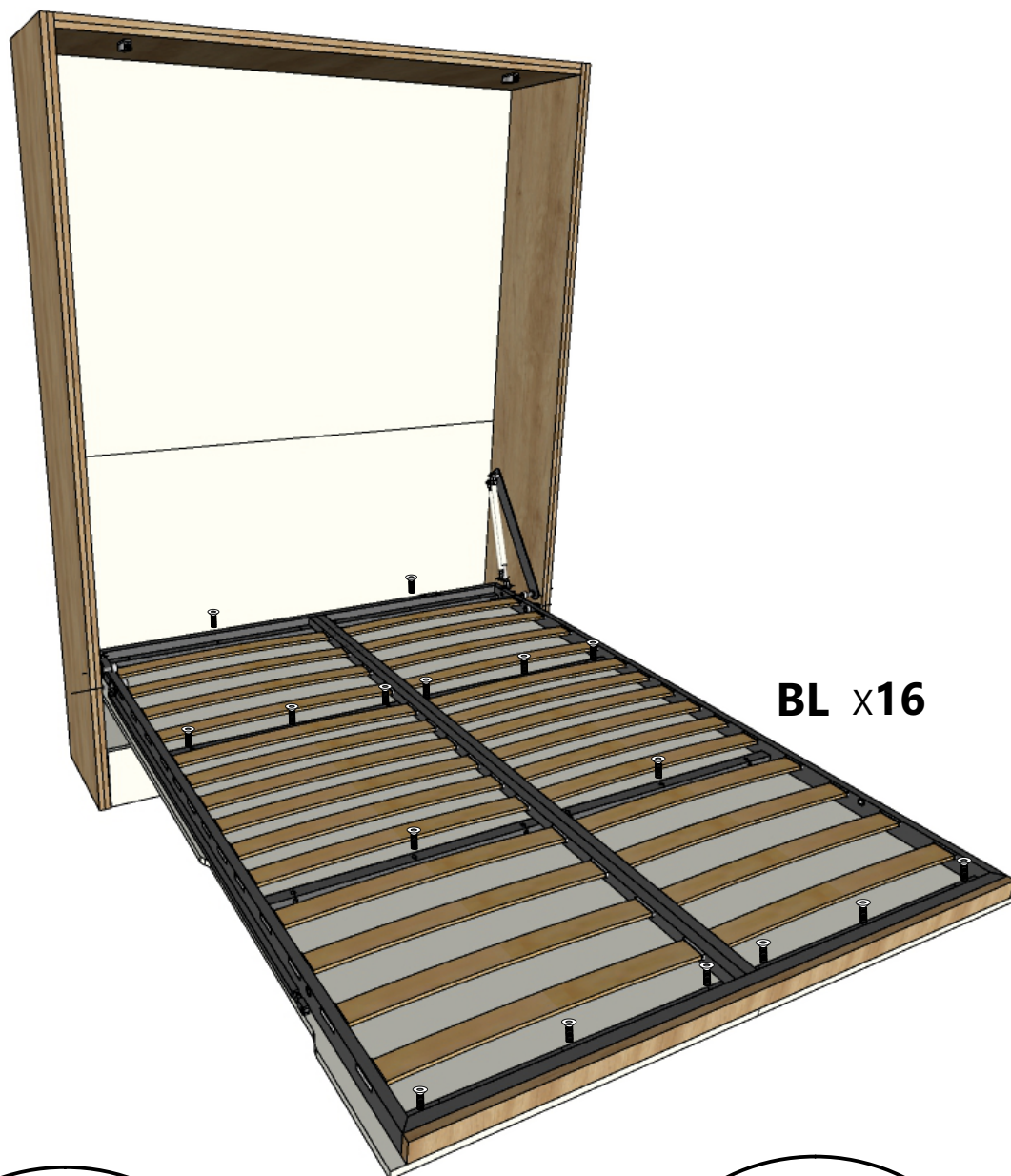
For this part you need 2 people.

After the pistons are installed it will be hard to lower the bed. This is **NORMAL!**

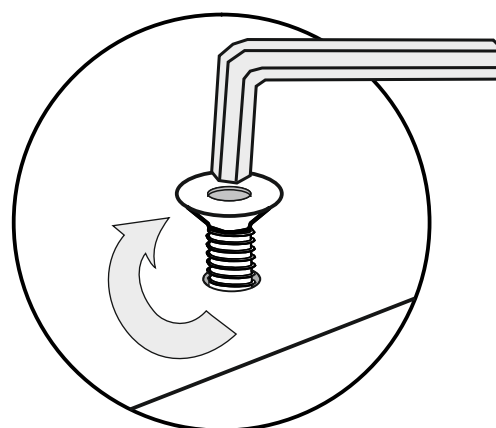
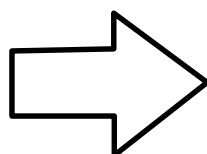
The system requires weight like a mattress to be balanced. So this will take some pressure to lower the bed. Have 1 person hold it down lower, while the other can do the next step.



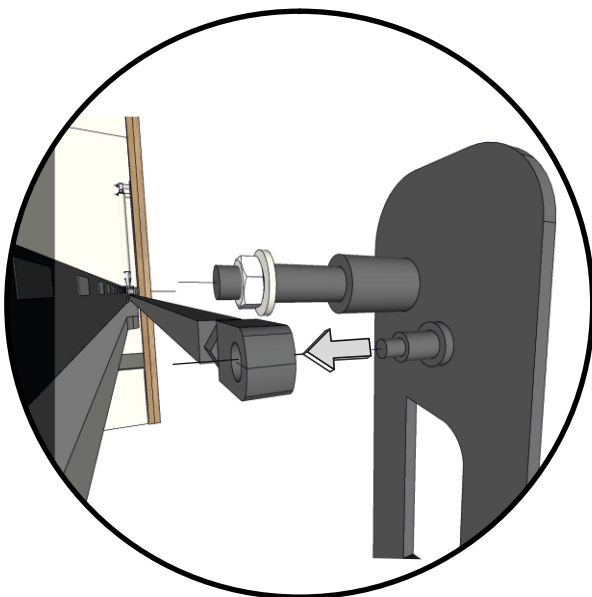
Connect the BLx16 bolts to secure the panels,  
be careful not to overdrill these bolts



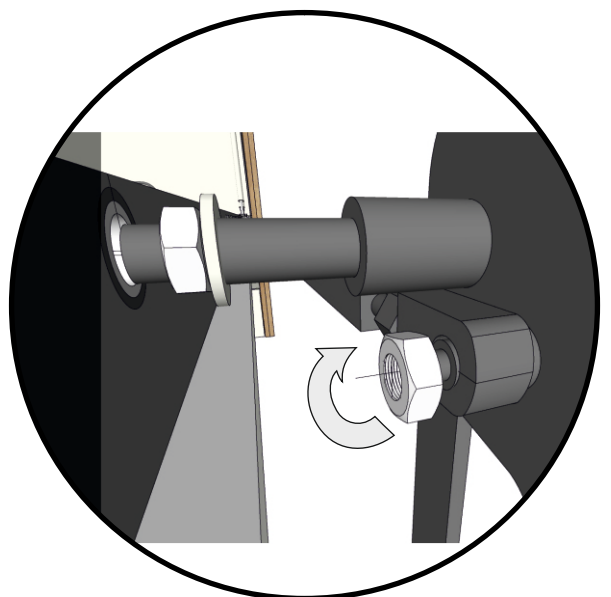
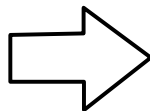
step 1



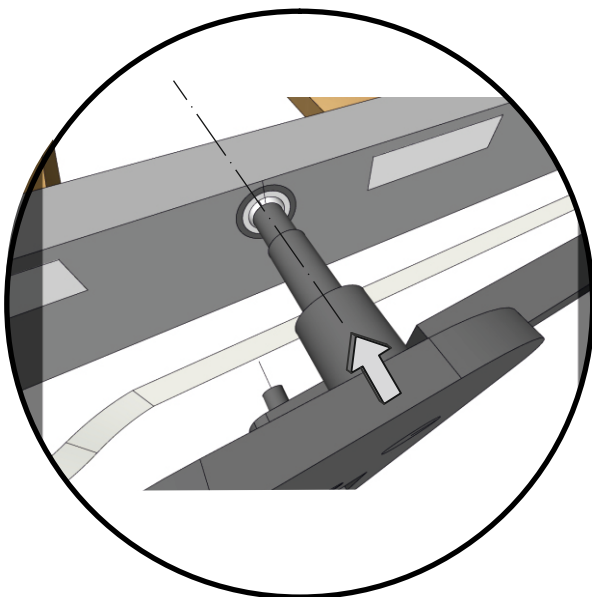
step 2



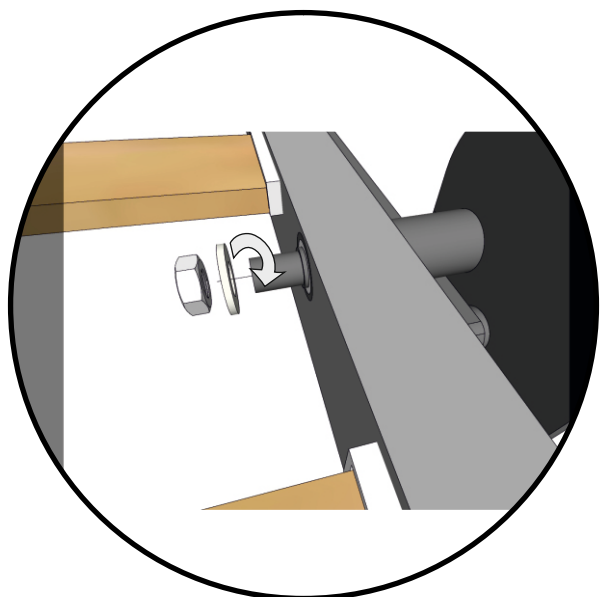
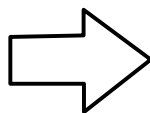
**step 1**



**step 2**

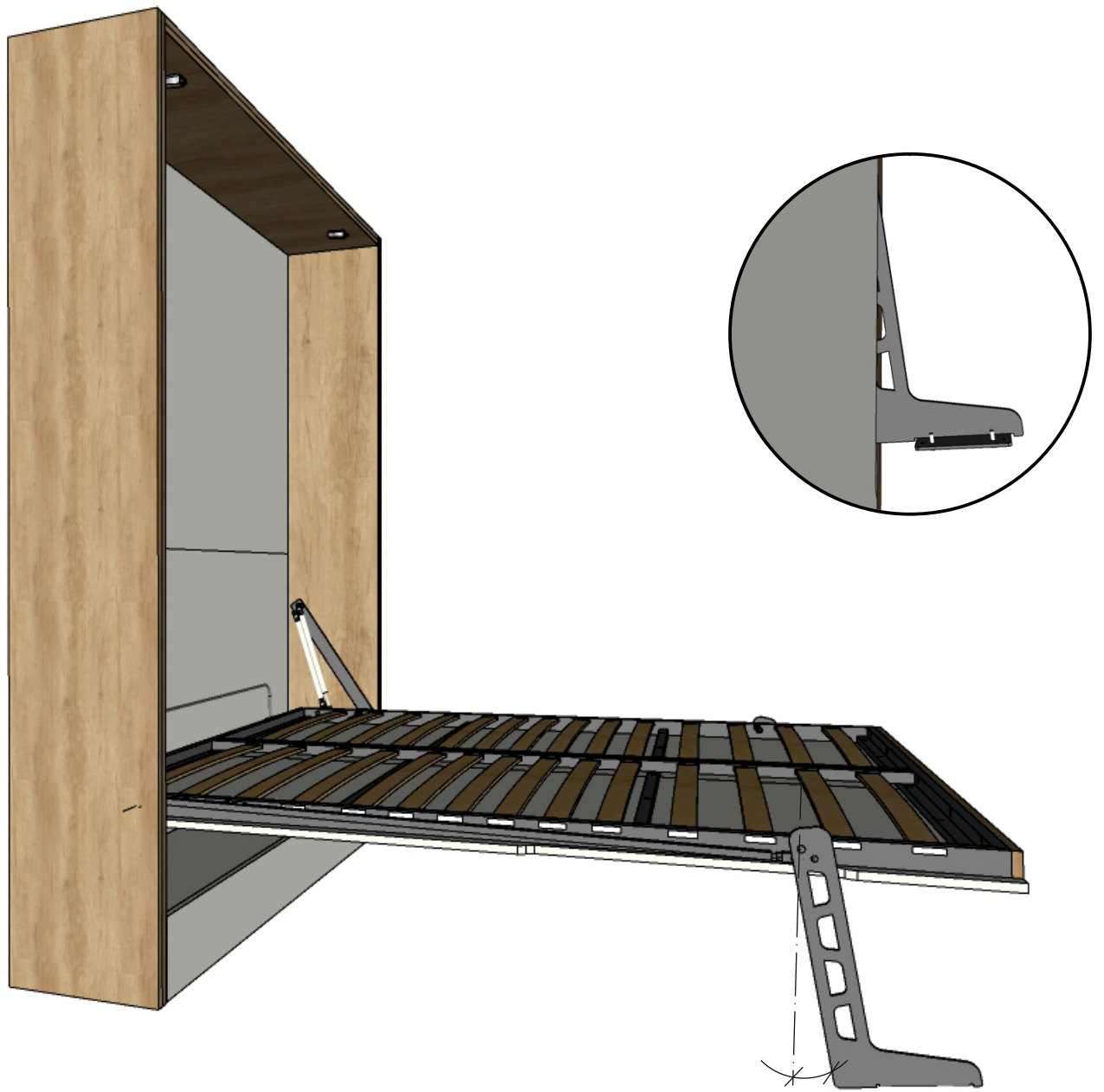


**step 3**

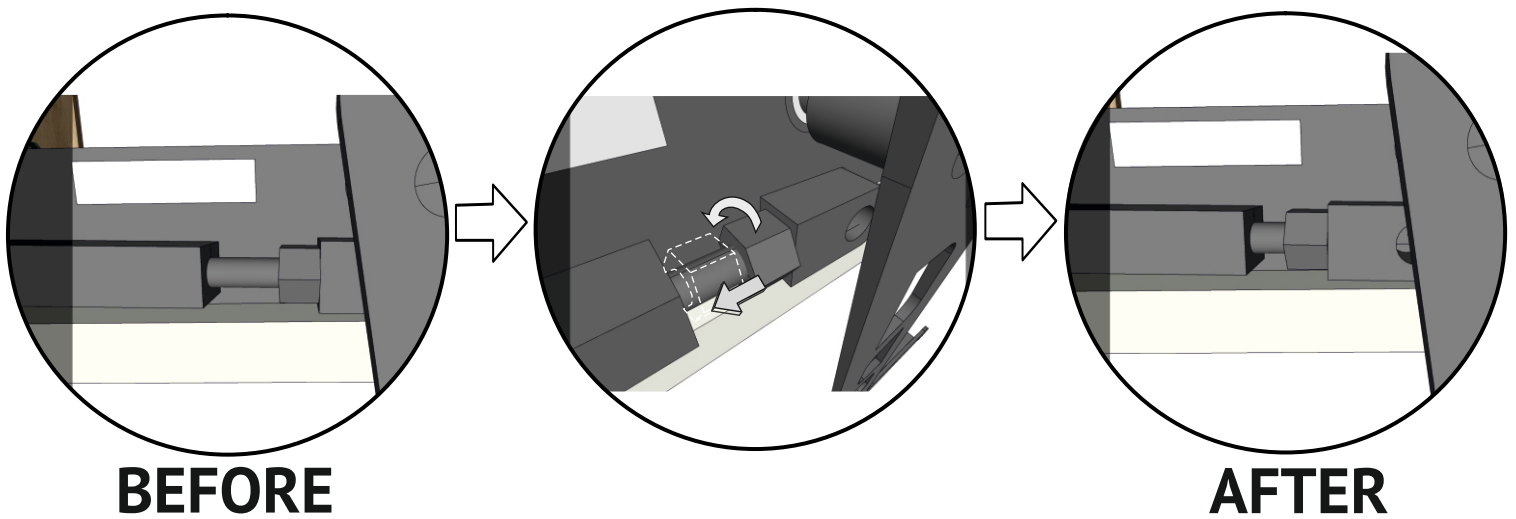


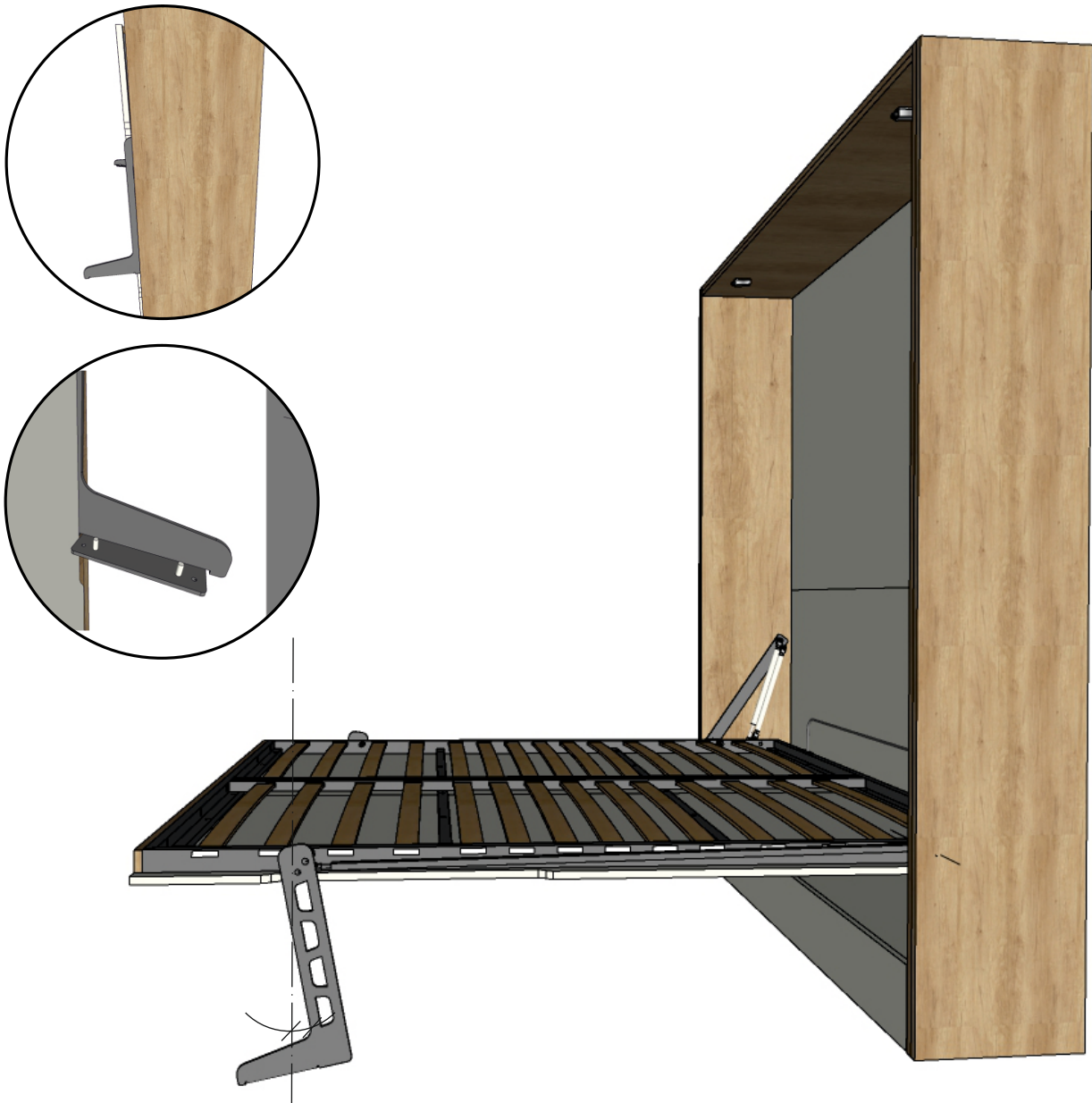
**step 4**



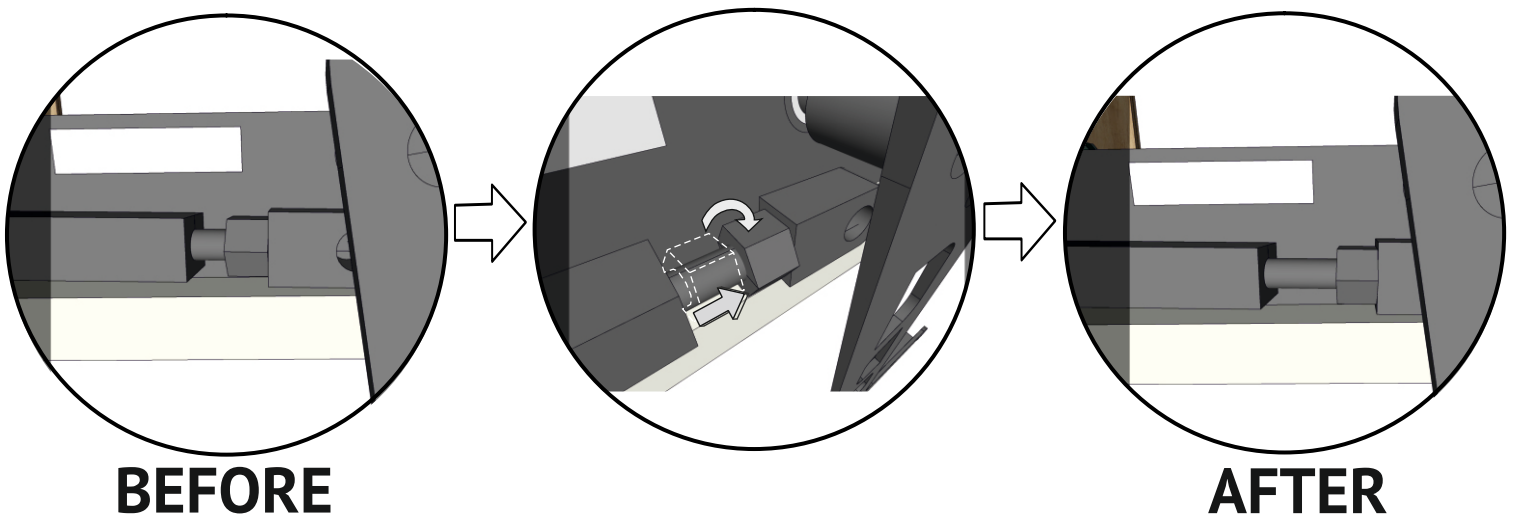


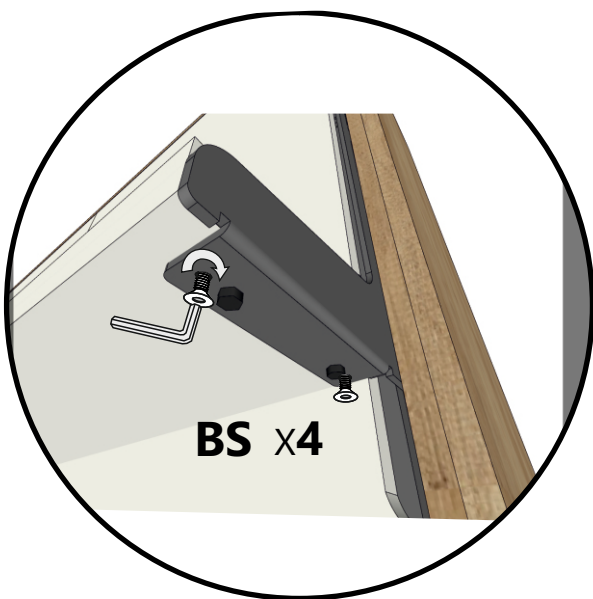
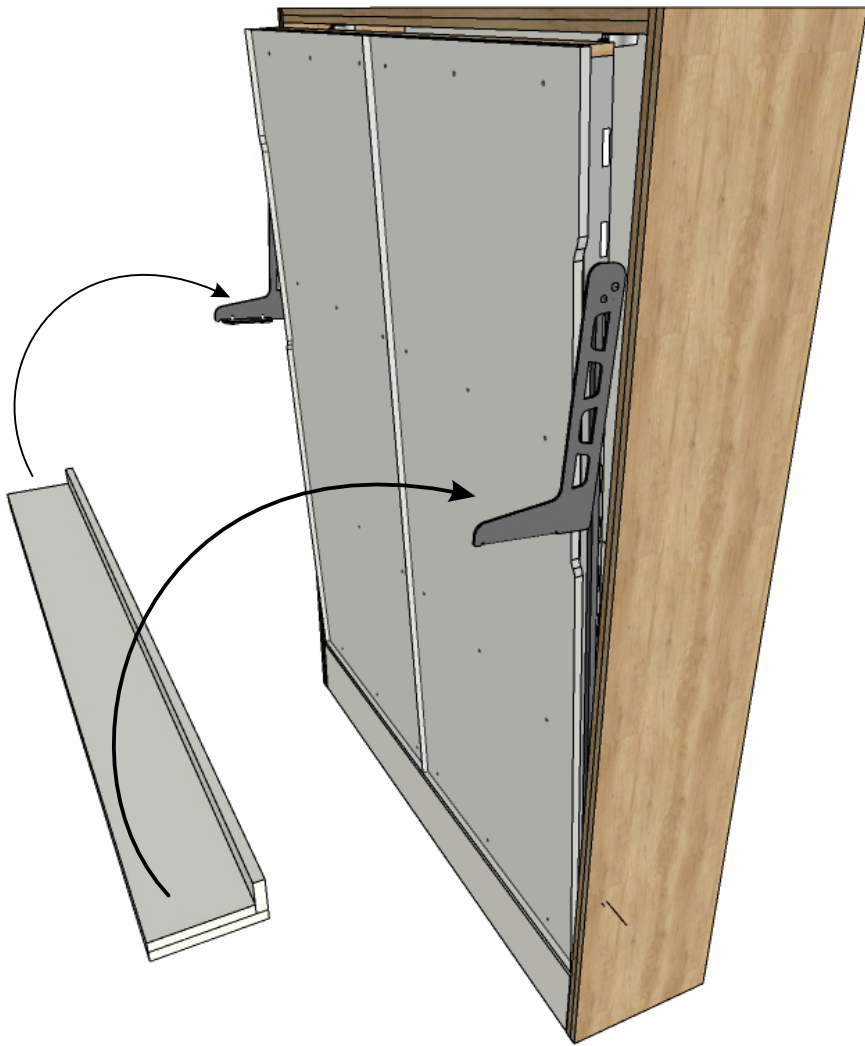
*this leg position is not right - necessary make correction*





*this leg position is not right - necessary make correction*





Test 1: Raise the bed up again and see how it looks and that you are happy with how it is aligned. If it is not correct the clips might need to be adjusted slightly. This can be a subjective process for the alignment.

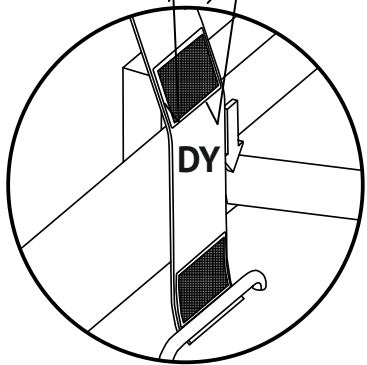
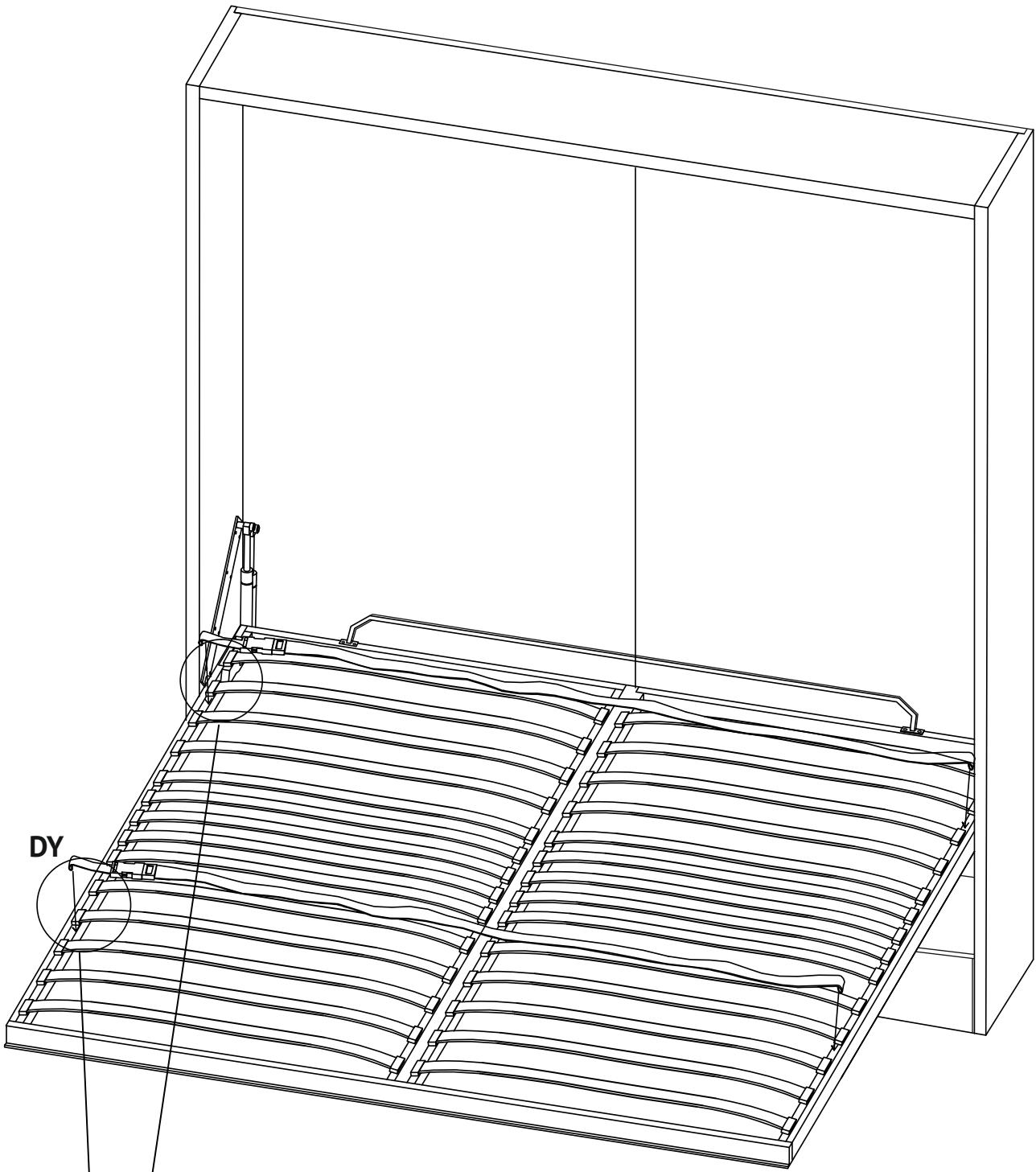
Test 2: Make sure the bed frame is not hanging forward. Raise the bed up with the mattress inside. If it is still slightly inset or flush you can proceed to the next test. If it is hanging forward this is not correct, and the frame needs to be inset further. Please remove the face panels and restart the gas strut/piston install process with the frame set further inwards.

If it is inset properly, with a 2nd person, put your mattress on the bed. Raise the bed up. If the bed is hanging forward, you need to remove the face panel and restart the gas piston install process with the frame set further inwards.

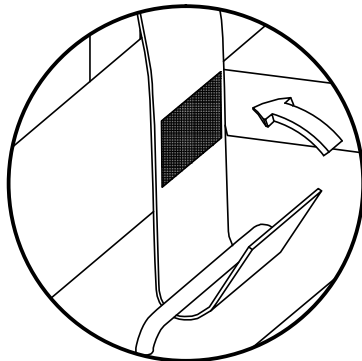
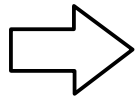
If the bed is inset properly, continue on from here and once the Floating shelf and mattress are added, you can then test to make sure the bed is well weighted.

Test 3: Lower the bed. Does it stay down with the mattress on it and the shelf being attached? If the bed is slightly hovering and if you will later add items to the shelf, this will adjust the weighting so it stays well balanced. You can add some items now to test the balance and make sure to add all of your bedding to test the weighting. If the bed is lifting up too much, you can remove 1x set of hydraulics if necessary, and we can also send a lower strength set of hydraulics if that is best to swap if your mattress is too light"

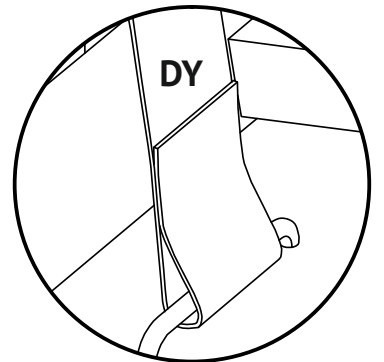
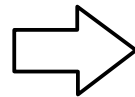
You also might have set the bed too far inset when adding the gas strut/piston on. You can try removing the face panel and making it slightly less inset. If you have tried this and it does not improve, your mattress is too light for our system. Please contact us and we can look at getting you weaker gas pistons made. If your mattress is too light, it may be best to only use 1x hydraulic on the back left and the back right. If this is then well weighted you can proceed ahead, if this is still too heavy or too light please contact us about replacement gas pistons.. You can optionally remove the pistons in the meantime and place the mattress on it, to use it as a lowered bed."



step 1



step 2



step 3

After you lower your frame with the face panel on it. You can place your mattress down. This will keep the bed down. You can now install the mattress holder.

Please make sure to follow the next step carefully. Do not skip securing the face panels!

