







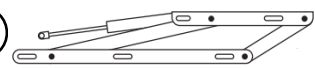











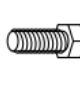



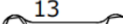
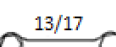


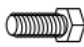



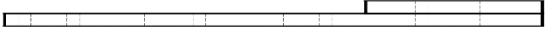



PLATFORM ASSEMBLY GUIDE



expand
furniture

<https://expandfurniture.com/platform-guide/>

LIST OF MATERIALS STORAGE BED			
	(x1) for Queen (x2) for King	 (x4) for Queen (x8) for King	Top covers (A) and nuts to join the top to hinges (B).
   	(x1) (x1) (x2)	(x2) only King size.	Head beam (C), foot beam (D), long beams (E1 & E2) and storage one (F).
 	(x2) (x2)		Corner Wooden Legs (G) and Bottoms (H)
	(x2) for Queen (x4) for King	 (x4) for Queen (x8) for King	Hinges (I) and nuts to fix the pistons (J).
	(x1) for Queen (x2) for King		Mattress support (K).
                 	(x26) for Queen (x29) for King (x26) for Queen (x29) for King (x6) for Queen (x8) for King (x12) for Queen (x16) for King (x12) for Queen (x16) for King (x12) for Queen (x16) for King (x1) for Queen (x2) for King (x1) (x4) (x4) for Queen (x8) for King (x2) for King. (x2) for King. (x2) for King. (x1) (x1) for King. (x2) (x2) for King. (x2) for King.	Micro-legs (L), screws to join the bottom (M), wood dowels (N), big eccentric screws (O), big eccentric (P), plastic black eccentric trim (Q), connecting piece of black plastic in T for bottoms (R), allen key (S), screws length 1" or 1.2" to join hinges-long beam (T), round aluminium spacer (0.3" thick for Queen – 0.53" thick for King) (U), screws length 3.9" to join hinges-storage one (V), nut join hinge-storage one (W), screws to join bottom-storage one (X), fix n°13 hex key (Y), fix n°13/17 hex key (Z), adhesive silicone (AA), top union plates (AB) and screws 3/8" length 1" to join top (AC).	

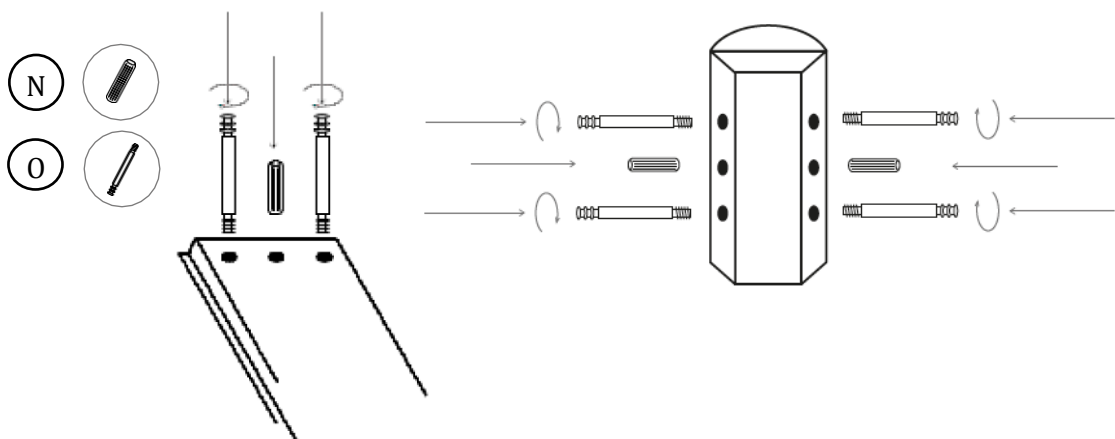
LIST OF MATERIALS HEADBOARD			
(AD) (x3) 		Headboard (AD)	
(AE) (x2) 		Connecting metallic pipe headboard - storage bed (AE).	
(AF)  (x12) L = 1.58"	(AG)  (x4) L = 2.36"	(AH)  (x2)	Bolts to fix connecting metallic pieces between headboard and head beam, (AF-AG) and allen key (AH).

Step 1: Prepare the following pieces to assembly on the floor:

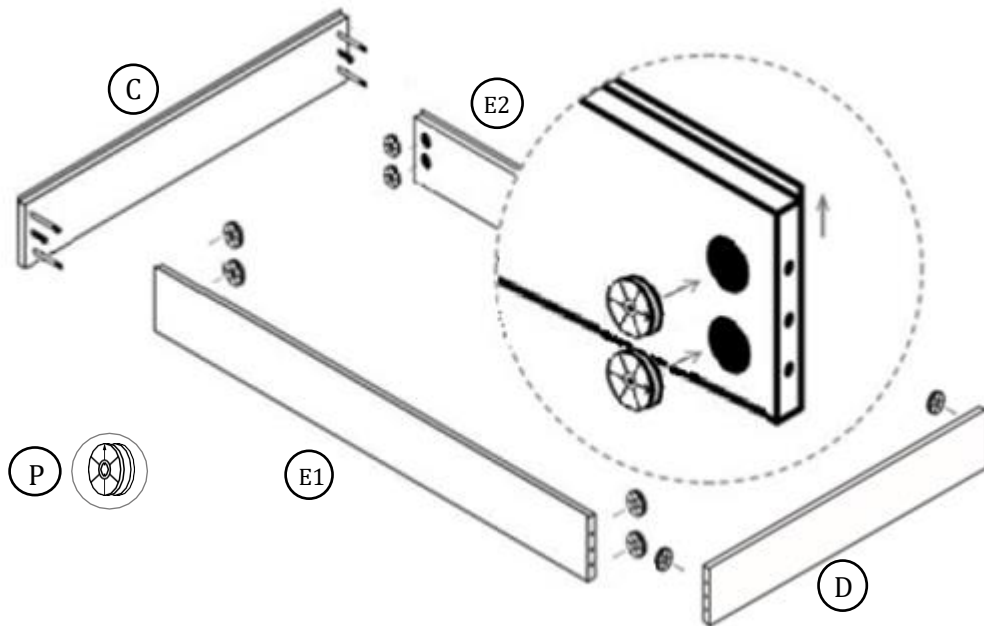
- Two long-beams (E1 and E2).
- A head beam and a foot beam (C and D).
- Storage one (F) (only for King Size).
- Corner Legs (G).

NOTE: If you put the packing cardboard on the floor and you assemble it this way, you will avoid scratches on the pieces of the model.

Step 2: Place the wood dowels (N) and big eccentric bolts (O) until it stops on both the head beam, storage one (only for King Size) and corner legs. Repeat this step for each corner.



Step 3: Place the long beams (E1 & E2) and the head/foot beams (C and D) with the groove facing up. Insert the eccentrics (P) with the arrow towards the ends of the pieces.



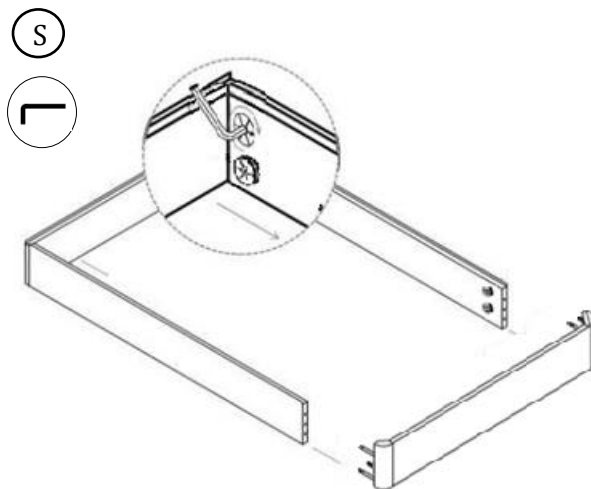
Step 4:

Queen Size: Fit the head-foot beam (C, D) with the long beams (E1 & E2) and corner legs (G) (if you need to, hit with your hands to join the pieces).

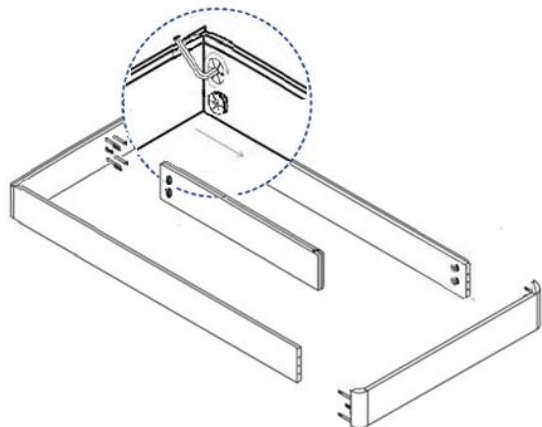
King Size: Fit the head-foot beam and storage one (only for King size) (C, D & F) with the long beams (E1 & E2) and corner legs (G) (if you need to, hit with your hands to join the pieces).

Tighten the eccentrics (P) clockwise.

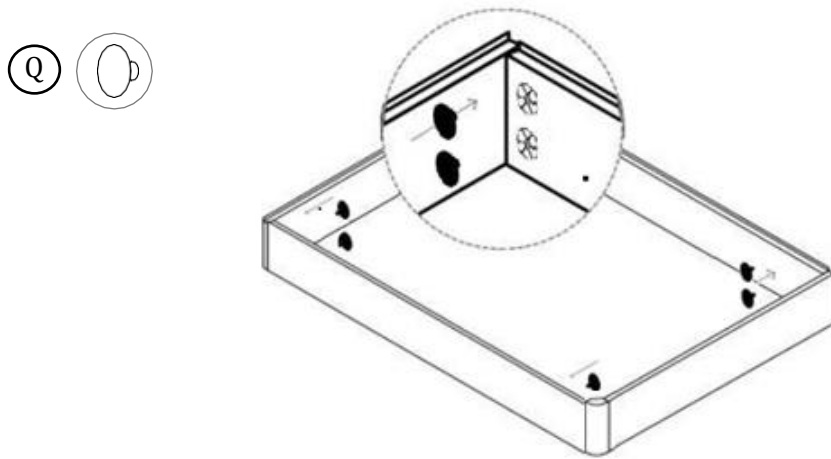
QUEEN SIZE



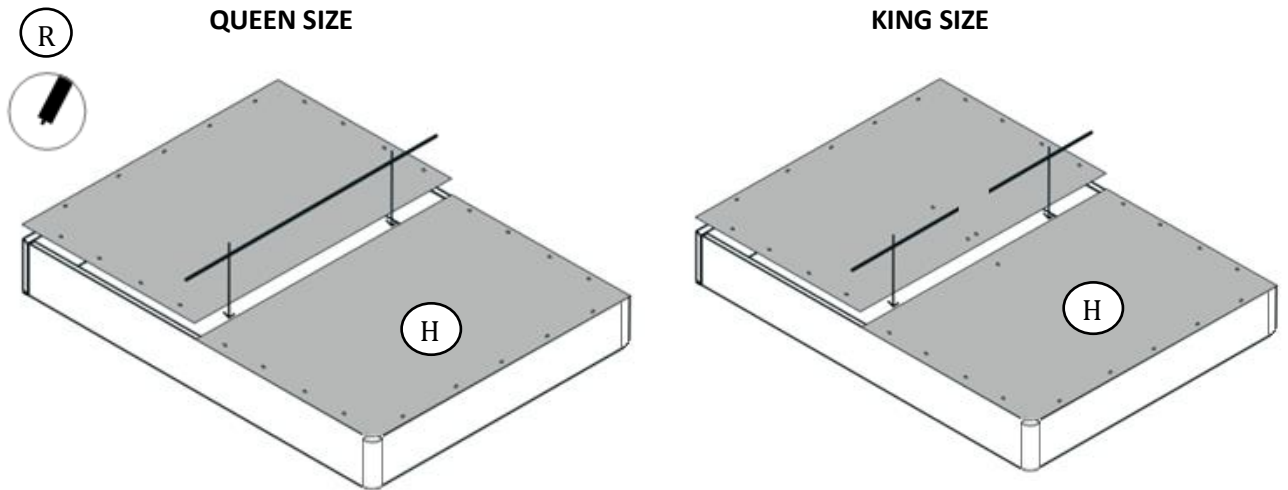
KING SIZE



Step 5: Place the plastic black eccentric trim (Q) on the eccentrics (P).



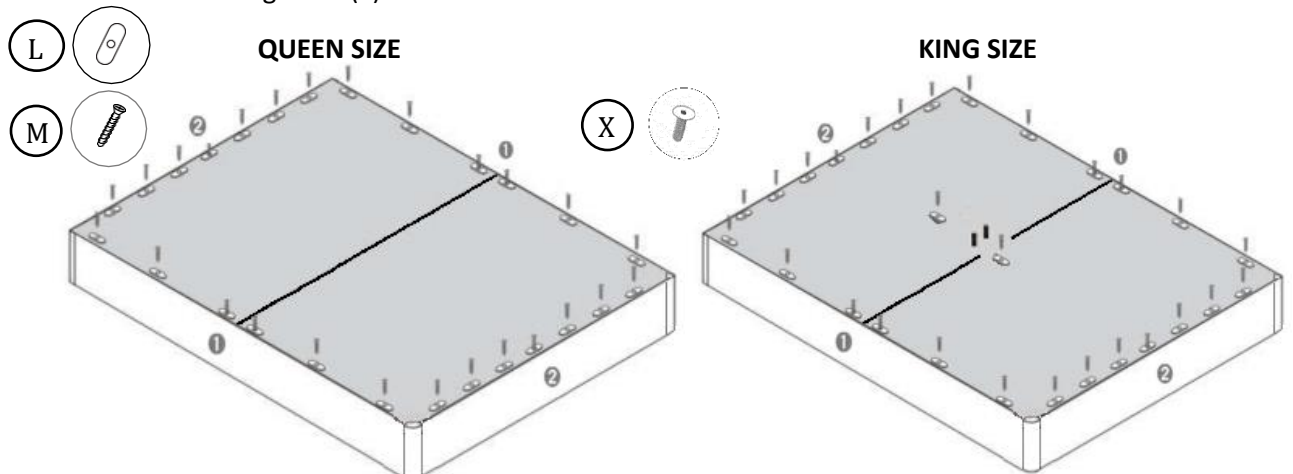
Step 6: Place the two parts of the bottom (H) (the black side towards the inside of the storage bed). Then, temporarily, insert the connecting piece in T (R) (until finished step 7).



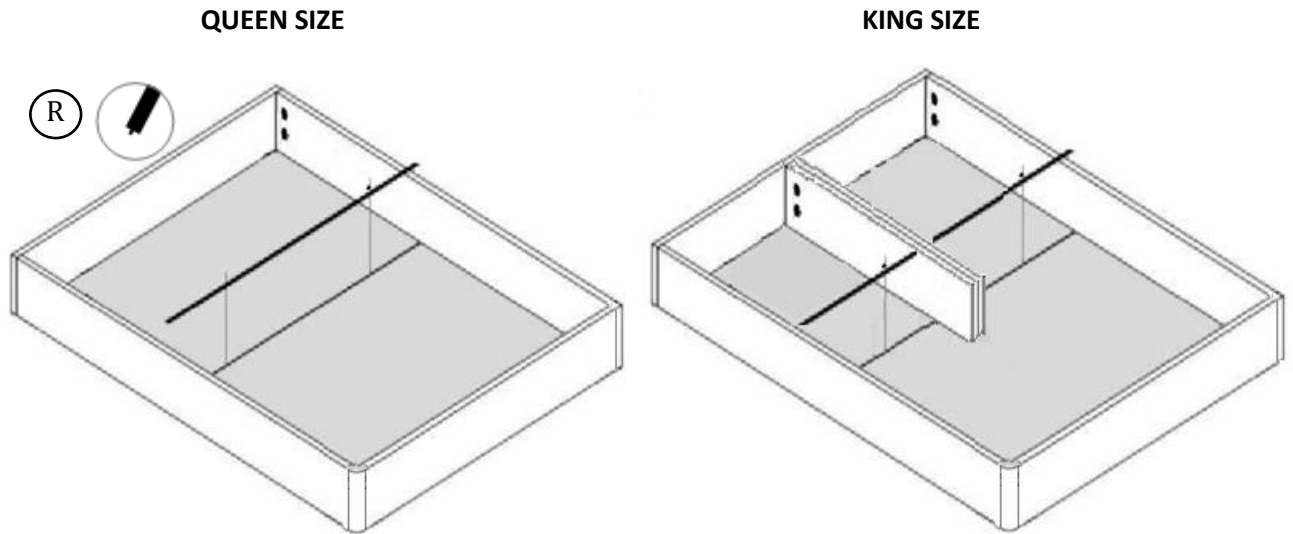
Step 7:

Queen Size: Fix the screws (M) and the micro-legs (L) in the order indicated.

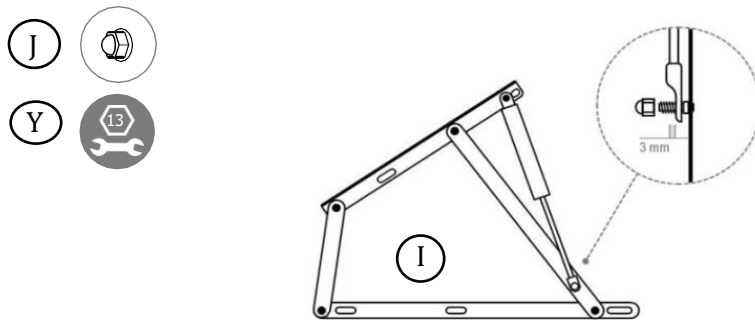
King size: Fix the screws (M) and the micro-legs (L) in the order indicated and the screws (X) to fix the bottom to storage one (F).



Step 8: Turn the storage bed around and place the connecting piece in T (R) in the gap between the two bottoms.



Step 9: Unscrew the nut (J) in the hinges (I). Then place the pistons on the screw and with the help of your key (Y), tighten the nut (J) leaving a space of 3 mm.

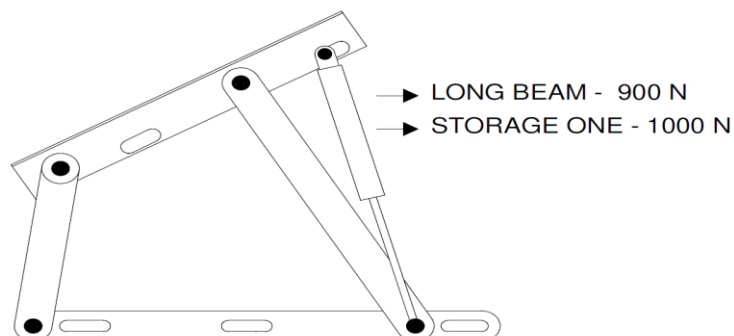


Step 10: Position the hinges (I) fixing holes on the long beams holes (E1 & E2).

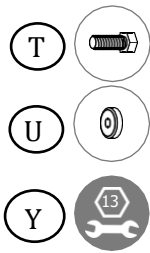
Queen Size: Place the round aluminum spacer (U) between the hinge and long beam.

King size: Place the round aluminum spacer (U) between the hinge and long beam and for storage one, place the round aluminum spacer between the hinge and long beam and after this the nuts (W)

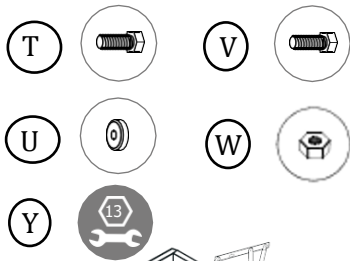
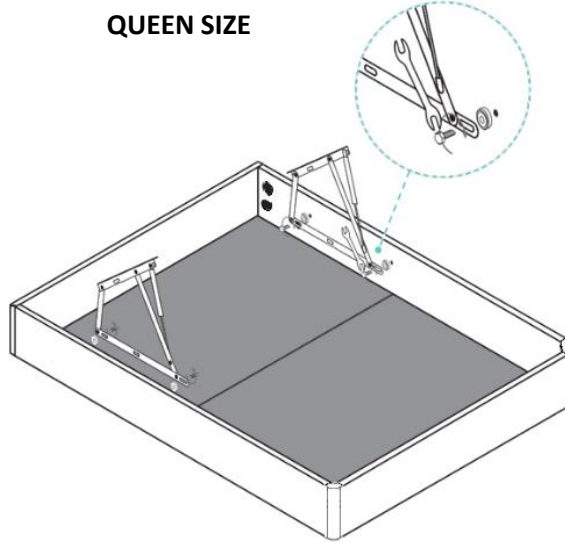
NOTE: For **King size**, look at the power of the pistons because the hinges to be positioned on the beams must be of Power 900 N and those placed on the storage one must be 1000 N.



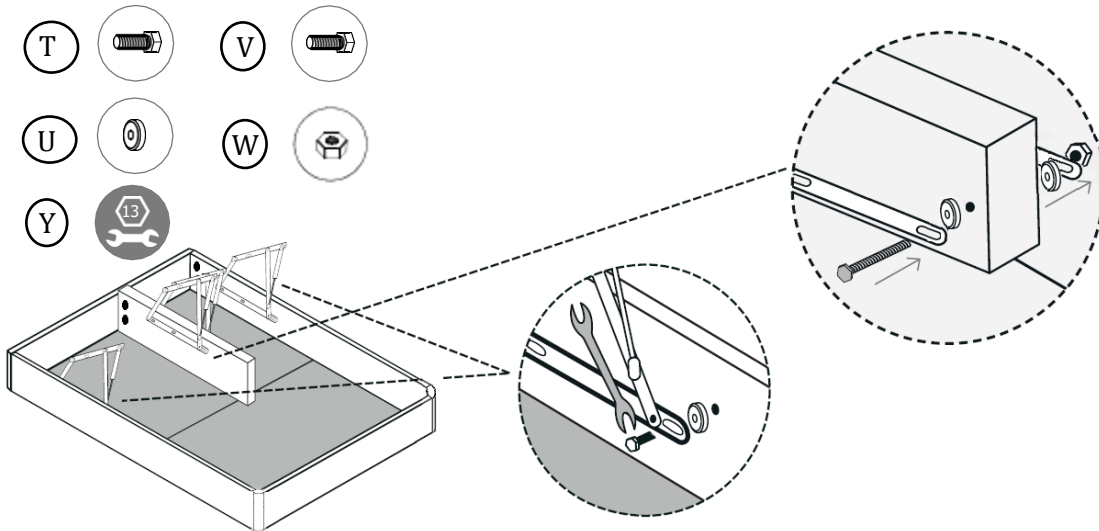
Finally, tighten the assembly with the bolts (T for Queen; T & V for King) moderately.



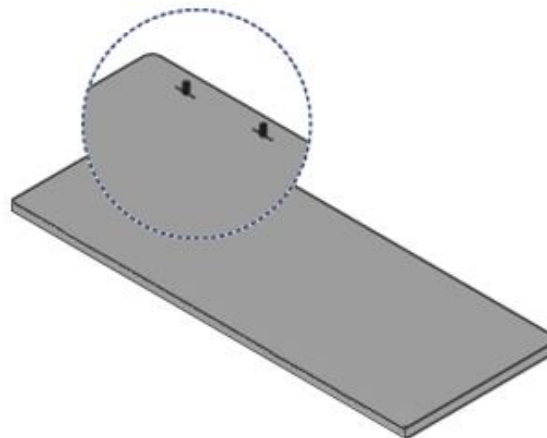
QUEEN SIZE



KING SIZE

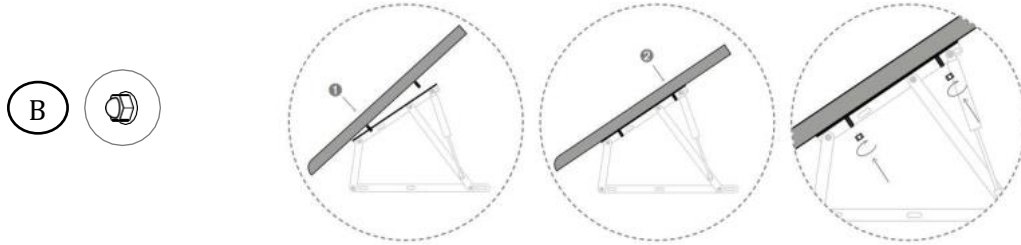


Step 11: Before placing the top sections on, you should check that the fix bolts can be seen. If you cannot see the bolts, cut small holes on black TNT material to make the bolts visible. Only use scissors.

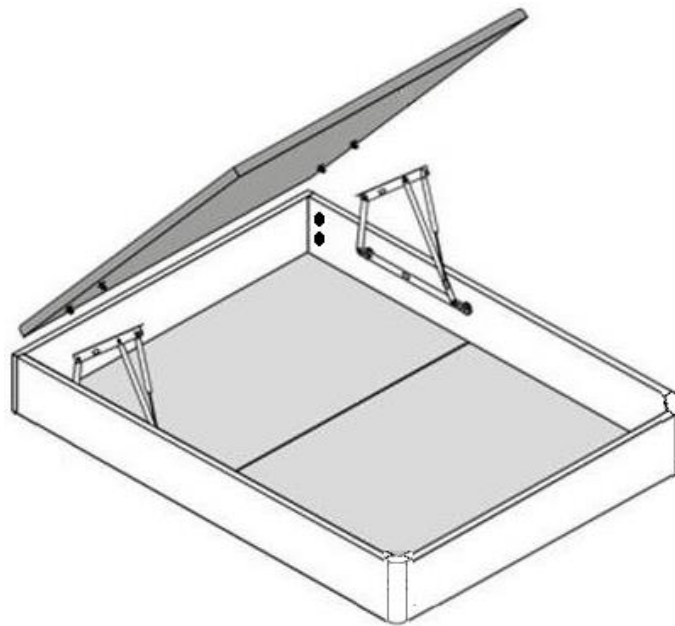


Step 12: With the help of another person, position to the right and left of the storage bed. Lift the top (A) at the same time and place the top bolts in the holes of the hinges (I) in the order indicated. Start by placing the bolts closest to the head beam and then the next two. Finally, tighten the nuts (B).

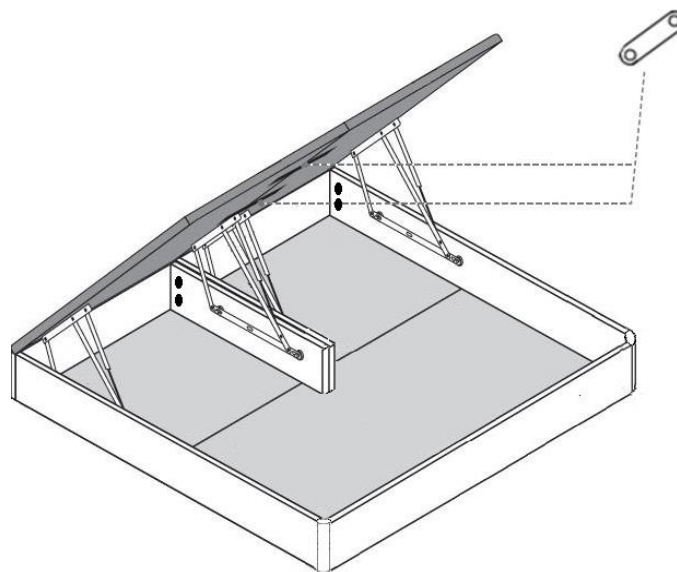
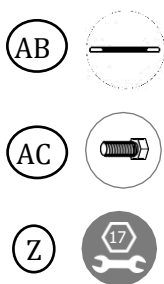
For **King size**, place the top union plates (AB) on the top with the help of the screws (AC).



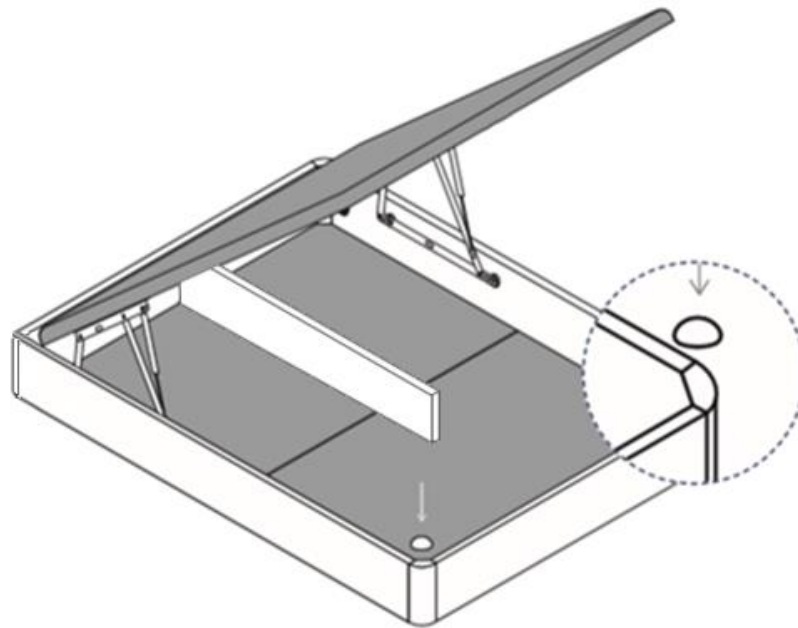
QUEEN SIZE



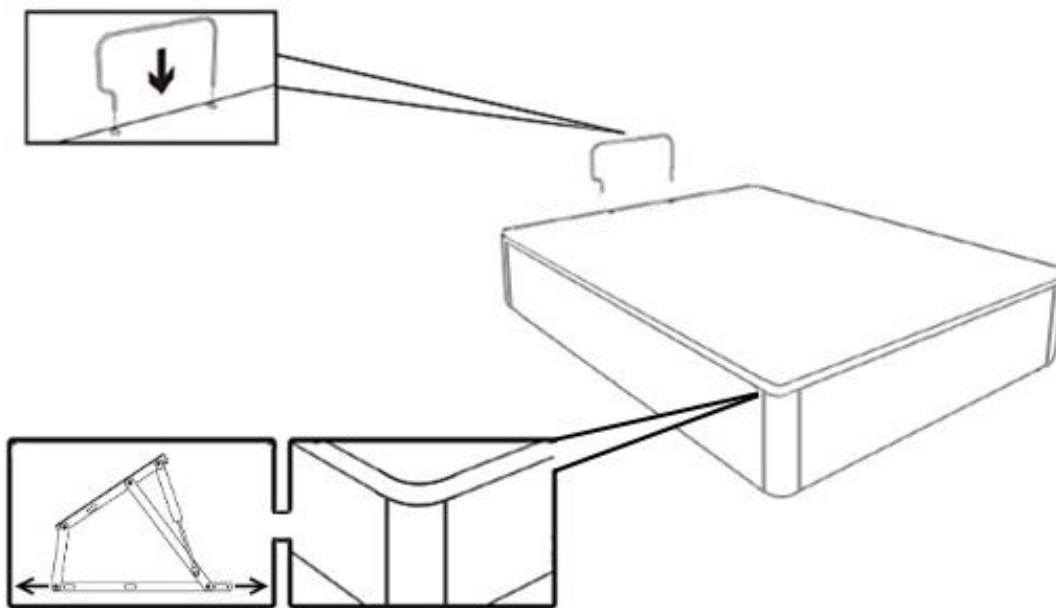
KING SIZE



Step 13: Place adhesive silicone (AA) on top of the legs to protect them and prevent the staples from being marked on the storage bed.



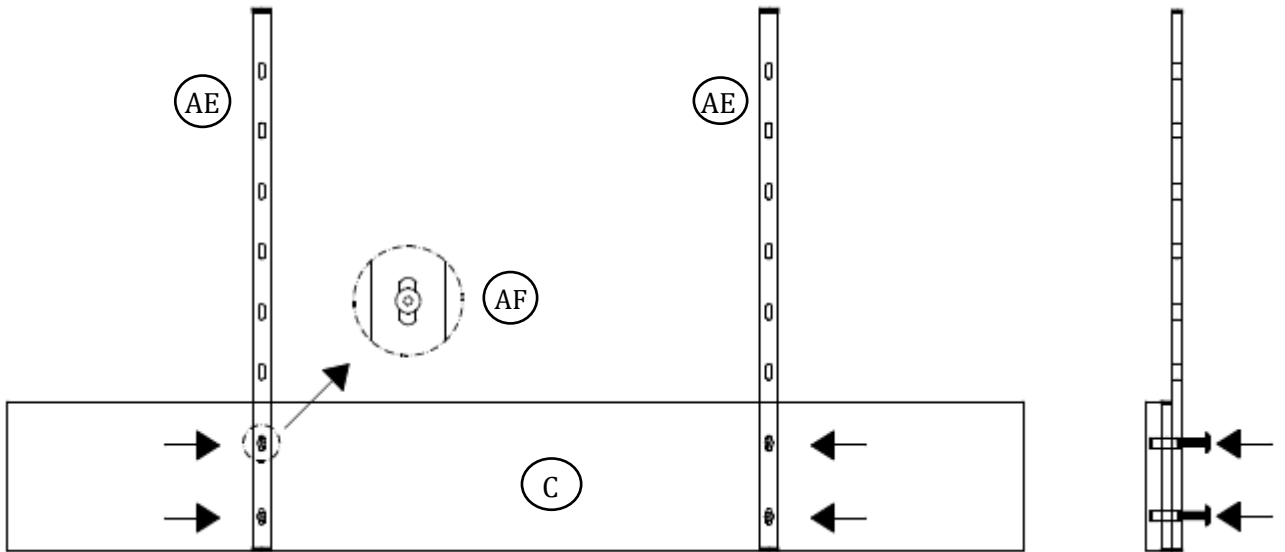
Step 14: Place the stop-mattress (K) on the correct position.



Adjust the top with storage structure.

The following steps are to assemble the headboard.

Step 15: Screw the connecting metallic pipes (AE) between the headboard (AD) and storage bed (C) and screw it to the storage bed with screws of length L = 2.36" (AF).



Step 16: Take the three wooden beams from the headboard (AD) and join them to the storage bed through the connecting pipe and the screws of length 1.57"(AG).

